

① Insert shaping may be modified for insert widths less than 36 inches. For an 18 inch insert, reduce dimensions indicated by 1/2 inch.

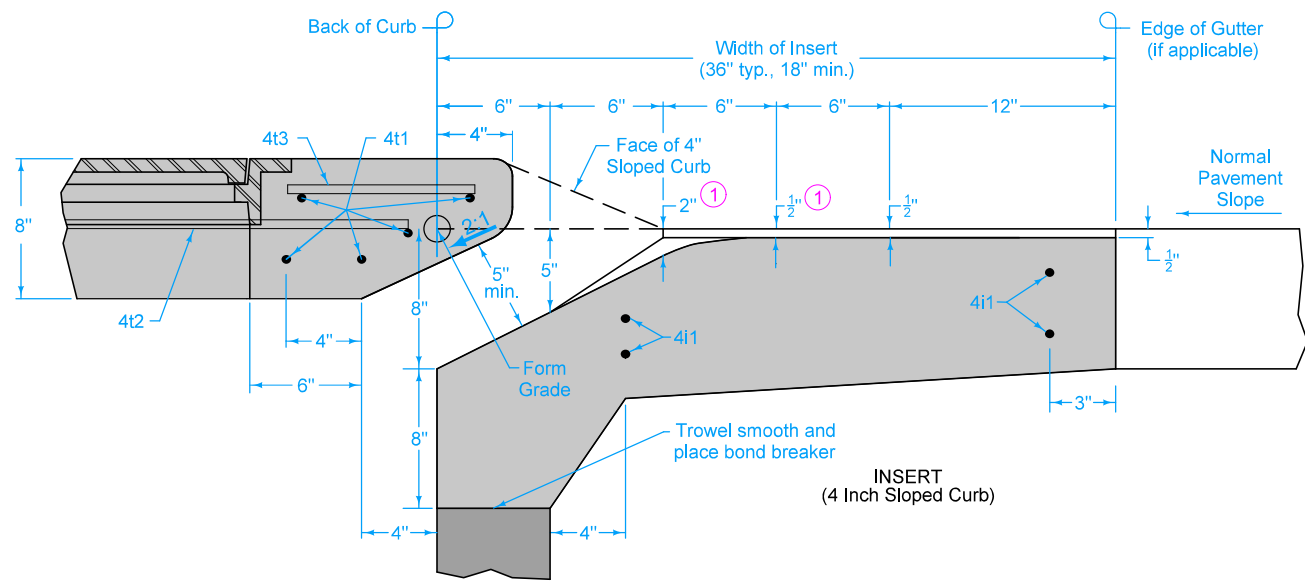
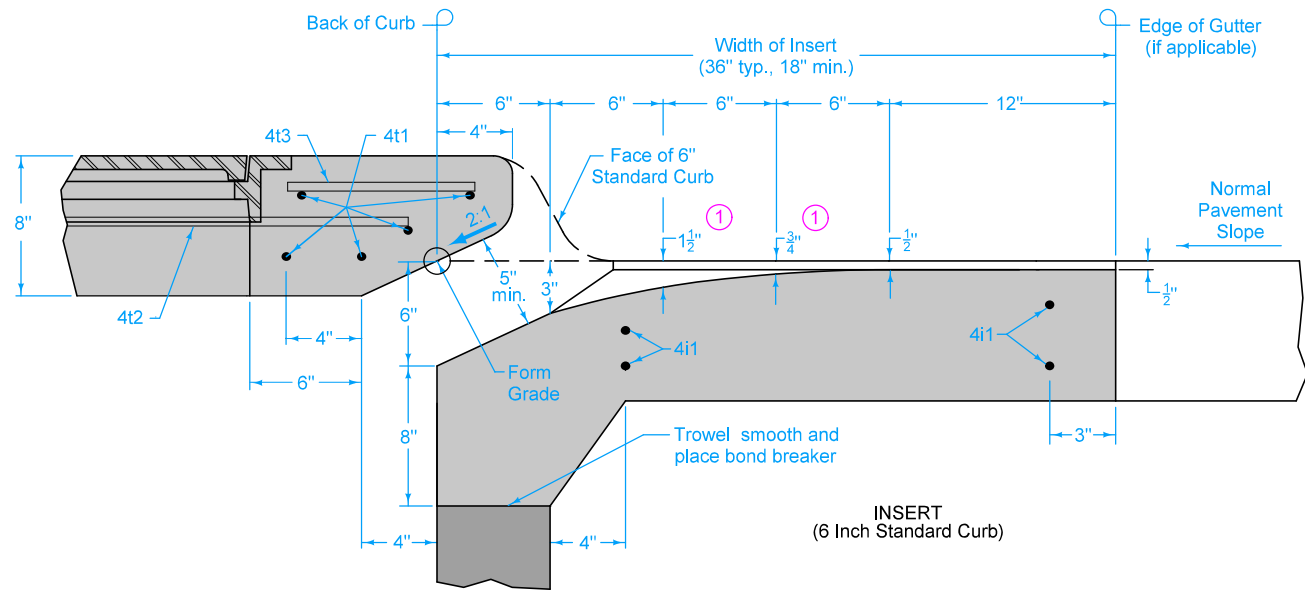
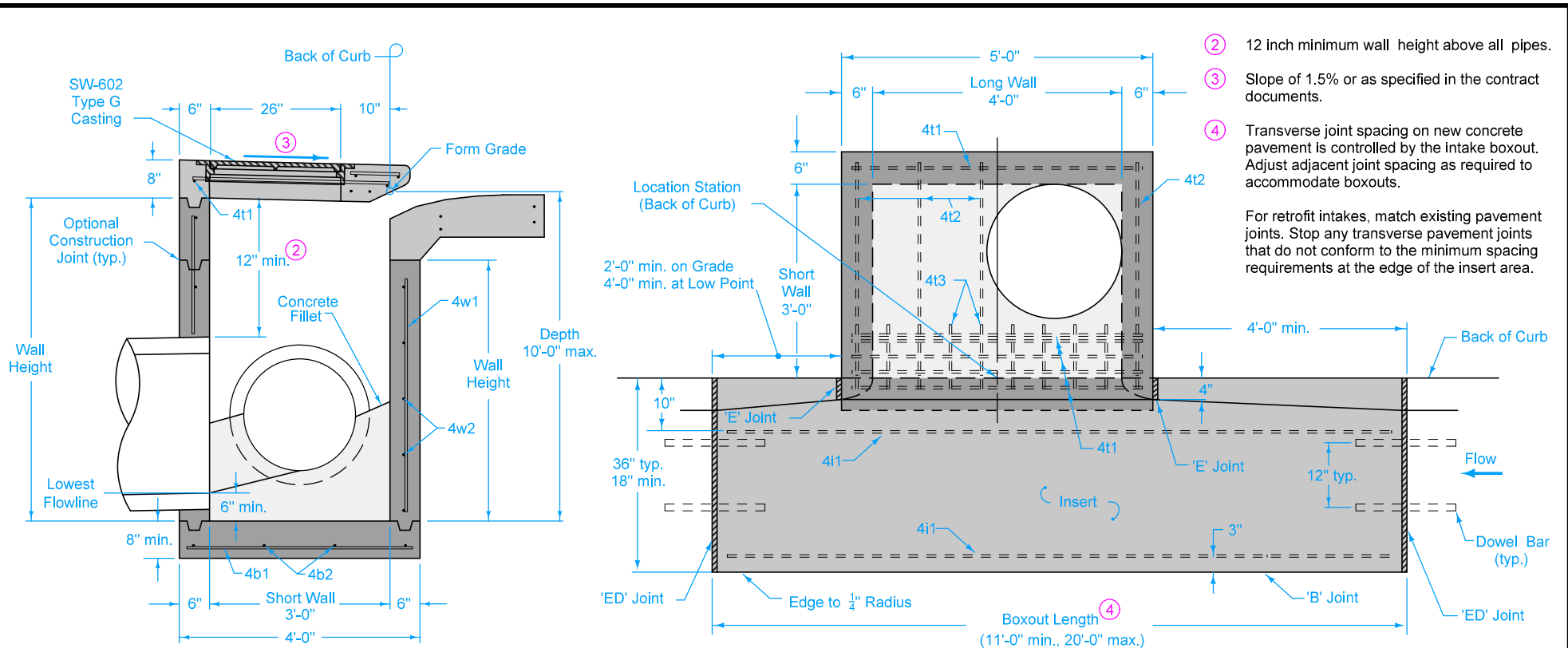


FIGURE 6010.507 | SHEET 1 OF 2

SUDAS	IOWADOT	REVISION
		3 04-17-18
FIGURE 6010.507	STANDARD ROAD PLAN	SW-507
		SHEET 1 of 2
REVISIONS: Added second Insert drawing to include 4" curb. Changed "Insert" callout to "Concrete Filler". Modified circle notes.		
<i>Paul D. Wigand</i> SUDAS DIRECTOR		<i>Brian Smith</i> DESIGN METHODS ENGINEER
SINGLE OPEN-THROAT CURB INTAKE, SMALL BOX		



- ② 12 inch minimum wall height above all pipes.
 - ③ Slope of 1.5% or as specified in the contract documents.
 - ④ Transverse joint spacing on new concrete pavement is controlled by the intake boxout. Adjust adjacent joint spacing as required to accommodate boxouts.
- For retrofit intakes, match existing pavement joints. Stop any transverse pavement joints that do not conform to the minimum spacing requirements at the edge of the insert area.

TYPICAL SECTION

PLAN

MAXIMUM PIPE DIAMETERS		
Pipe Location	Precast Structure	Cast-in-place Structure
Short Wall	24"	30"
Long Wall	30"	36"

REINFORCING BAR LIST						
Mark	Size	Location	Shape	Count	Length	Spacing
4t1	4	Top	—	6	4'-8"	See Insert
4t2	4	Top	—	4	3'-6"	12"
4t3	4	Top	—	10	10"	6"
4b1	4	Base	—	6	3'-6"	1 1"
4b2	4	Base	—	5	4'-6"	10"
4i1	4	Insert	—	4	Boxout Length minus 8"	See Plan
4w1	4	Walls	—	14	Wall Height minus 4"	14"
4w2	4	Long Walls	—	Varies	4'-8"	12"
4w3	4	Short Walls	—	Varies	3'-8"	12"

FIGURE 6010.507 SHEET 2 OF 2

SUDAS IOWADOT	REVISION 3 04-17-18
	SW-507 SHEET 2 of 2
REVISIONS: Added second Insert drawing to include 4" curb. Changed "Insert" callout to "Concrete Fillet". Modified circle notes.	
<i>Paul D. Wigand</i> SUDAS DIRECTOR <i>Brian Smith</i> DESIGN METHODS ENGINEER	
SINGLE OPEN-THROAT CURB INTAKE, SMALL BOX	