

Unless specified otherwise, the contractor has the option to either install a precast circular structure or construct a rectangular structure.

All plate and edge armor steel to be ASTM A 36, galvanized after fabrication.

Remove center grate before constructing concrete barrier.

Cast frames into intake top so tops of grates are $\frac{1}{4}$ " below Form Grade Elevation. Bolt Intake frames together on both sides with four $\frac{1}{2}$ " x 4" bolts.

For joint details, refer to PV-101.

Maximum pipe size for the rectangular option is 60 inches. Refer to the table below for maximum pipe size information related to the circular option.

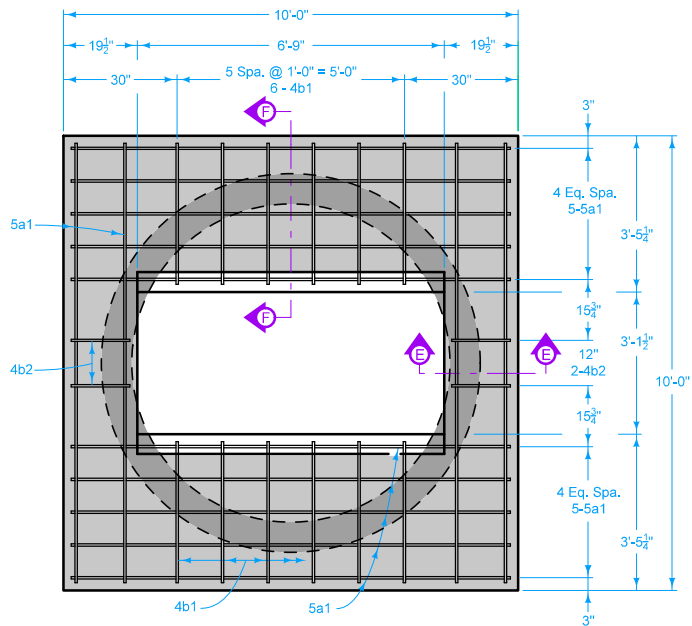
MAXIMUM PIPE DIAMETER FOR 2 PIPES	
at 180° Separation	At 90° Separation
48 inches	36 inches

- ① Trowel smooth and place two layers of 30 pound roofing felt to prevent bond.
- ② Leave 3 inch opening through barrier over the intake.
- ③ Match slope of top and grate to adjacent pavement.
- ④ 12 inch minimum wall height above all pipes.

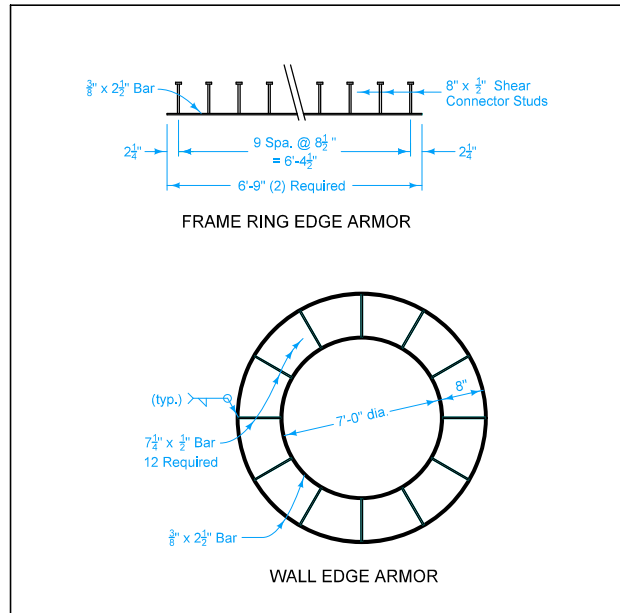
Possible Contract Item:
Barrier Intake, SW-547

Possible Tabulation:
104-5B

IOWA DOT	REVISION
	5 04-17-18
	STANDARD ROAD PLAN SW-547
SHEET 1 of 7	
REVISIONS: Changed "invert" callout to "Concrete Fillet". Added maximum pipe size information.	
<i>Brian Smith</i> APPROVED BY DESIGN METHODS ENGINEER	
TRIPLE-GRATE BARRIER INTAKE	



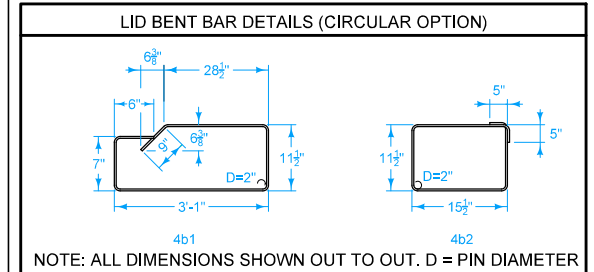
LID PLAN
(CIRCULAR OPTION)



FRAME RING EDGE ARMOR

WALL EDGE ARMOR

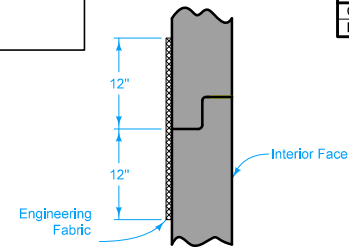
LID REINFORCING BAR LIST - EPOXY COATED (CIRCULAR OPTION)					
BAR	LOCATION	SHAPE	NO.	LENGTH	WEIGHT
5a1	Lid, Longitudinal & Transverse	—	28	9'-8"	282
4b1	Lid Hoop	⌒	12	8'-3"	66
4b2	Lid Hoop	⌒	4	5'-4"	14
EPOXY COATED REINFORCING STEEL - TOTAL					362



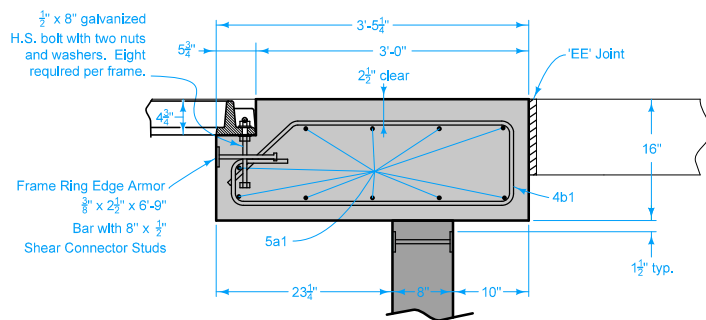
NOTE: ALL DIMENSIONS SHOWN OUT TO OUT. D = PIN DIAMETER

LID QUANTITY SUMMARY (CIRCULAR OPTION)	
Concrete	3.8 CY*
Epoxy Coated Reinforcing Steel	362 LB

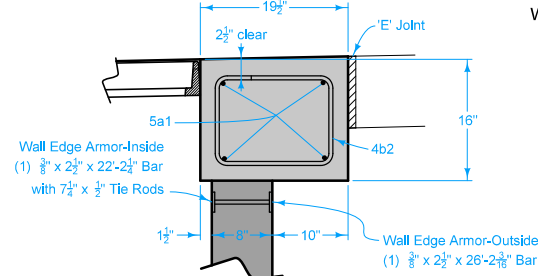
* Based on Minimum thickness = 16"



WALL JOINT DETAIL



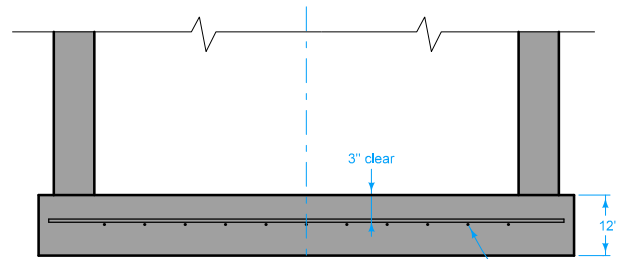
SECTION F-F



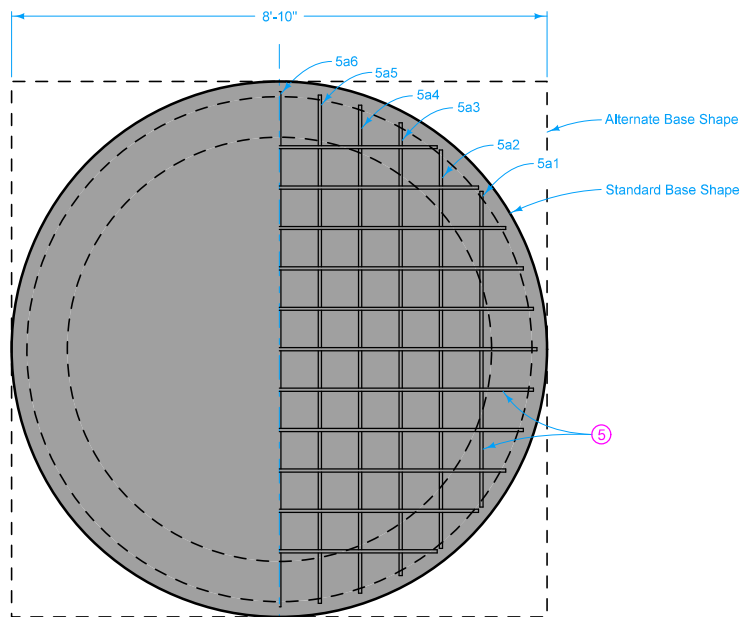
SECTION E-E

LID (CIRCULAR OPTION)

 STANDARD ROAD PLAN	REVISION
	5 04-17-18
	SW-547
SHEET 2 of 7	
REVISIONS: Changed 'invert' callout to 'Concrete Fillet'. Added maximum pipe size information.	
APPROVED BY DESIGN METHODS ENGINEER <i>Brian Smith</i>	
TRIPLE-GRATE BARRIER INTAKE	



PART SECTION A-A



BASE PLAN
(CIRCULAR OPTION)

BASE (CIRCULAR OPTION)

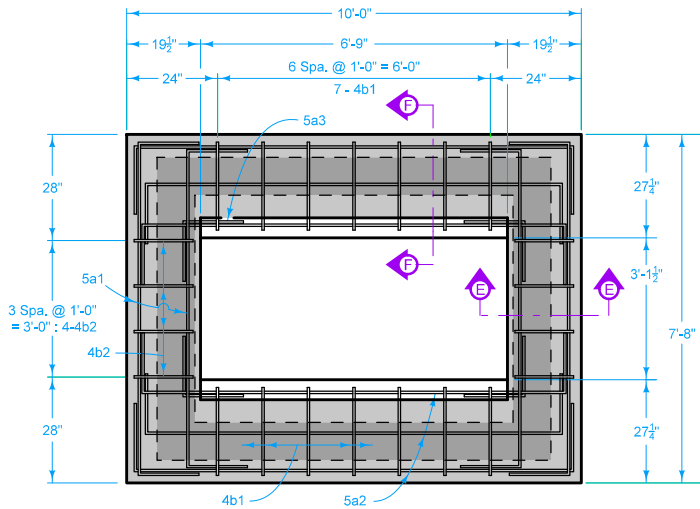
BASE REINFORCING BAR LIST - EPOXY COATED					
(CIRCULAR OPTION)					
BAR	LOCATION	SHAPE	NO.	LENGTH	WEIGHT
5a1	Base, Longit. & Transverse	---	4	5'-3"	22
5a2	Base, Longit. & Transverse	---	4	6'-7"	27
5a3	Base, Longit. & Transverse	---	4	7'-6"	31
5a4	Base, Longit. & Transverse	---	4	8'-0"	33
5a5	Base, Longit. & Transverse	---	4	8'-4"	35
5a6	Base, Longit. & Transverse	---	2	8'-6"	18
EPOXY COATED REINFORCING STEEL - TOTAL					166

BASE QUANTITY SUMMARY (CIRCULAR OPTION)	
Concrete	2.3 CY*
Epoxy Coated Reinforcing Steel	166 LB*

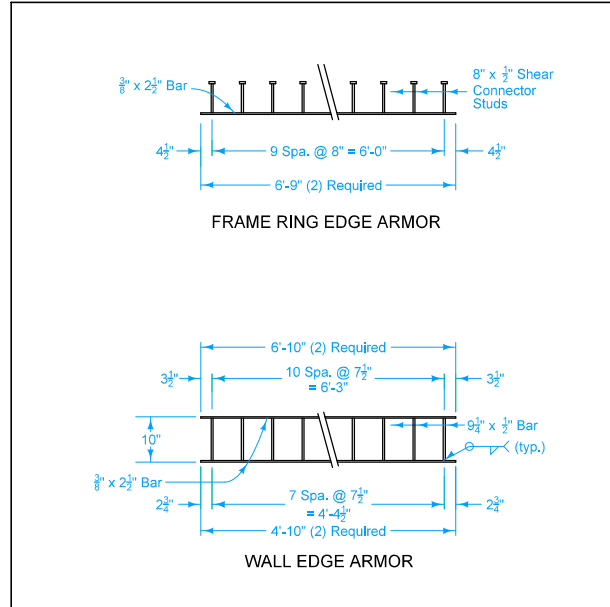
* Based on Standard Base Shape

⑤ #5 at 8 inch centers each direction or equivalent welded wire fabric.

	REVISION	5	04-17-18
	STANDARD ROAD PLAN	SW-547	
	SHEET 3 of 7		
<small>REVISIONS: Changed 'invert' callout to 'Concrete Fillet'. Added maximum pipe size information.</small>			
<small>APPROVED BY DESIGN METHODS ENGINEER</small>			
TRIPLE-GRATE BARRIER INTAKE			



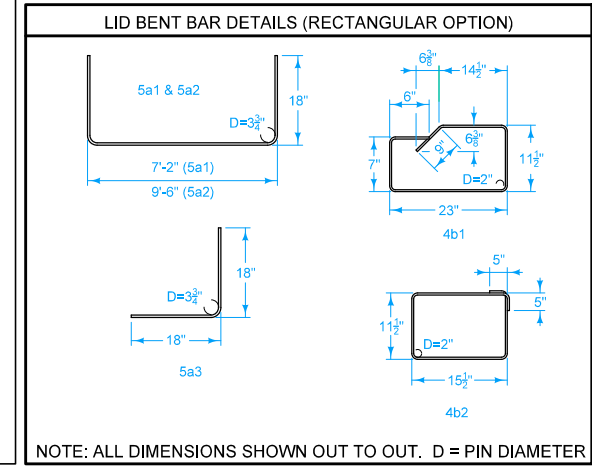
LID PLAN
(RECTANGULAR OPTION)



FRAME RING EDGE ARMOR

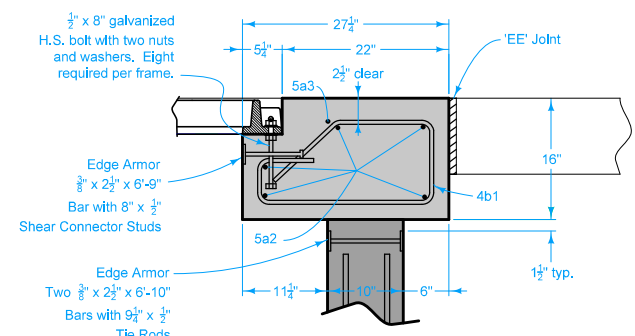
WALL EDGE ARMOR

LID REINFORCING BAR LIST - EPOXY COATED					
(RECTANGULAR OPTION)					
BAR	LOCATION	SHAPE	NO.	LENGTH	WEIGHT
5a1	Lid, Longitudinal	U	8	10'-2"	85
5a2	Lid, Transverse	U	10	12'-6"	130
5a3	Lid, Interlor, Corners	U	4	3'-0"	13
4b1	Lid Hoop	U	14	5'-11"	55
4b2	Lid Hoop	U	8	5'-4"	29
EPOXY COATED REINFORCING STEEL - TOTAL					312

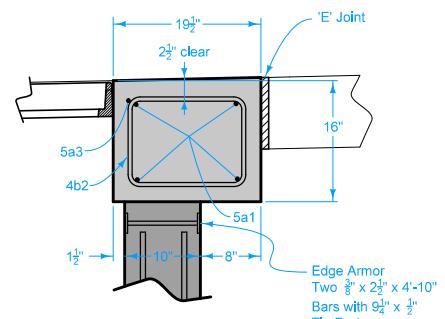


NOTE: ALL DIMENSIONS SHOWN OUT TO OUT. D = PIN DIAMETER

LID QUANTITY SUMMARY (RECTANGULAR OPTION)	
Concrete	2.7 CY
Epoxy Coated Reinforcing Steel	312 LB

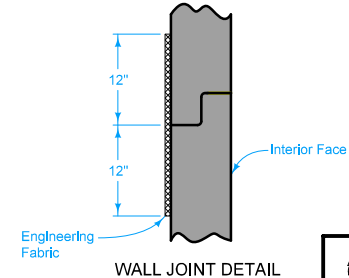


SECTION F-F



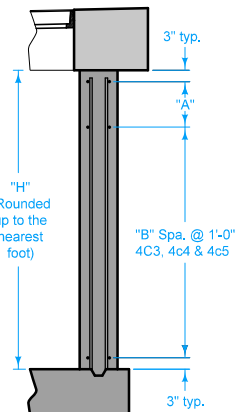
SECTION E-E

LID (RECTANGULAR OPTION)

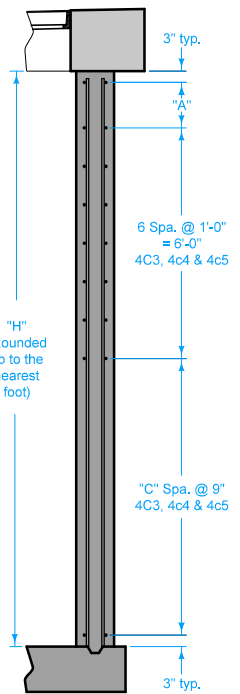


WALL JOINT DETAIL

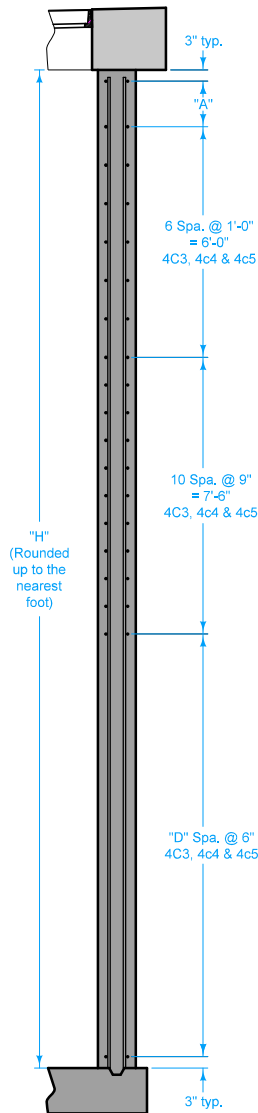
 STANDARD ROAD PLAN	REVISION	5	04-17-18
	SW-547		
	SHEET 5 of 7		
REVISIONS: Changed "invert" callout to "Concrete Fillet". Added maximum pipe size information.			
APPROVED BY DESIGN METHODS ENGINEER <i>Brian Smith</i>			
TRIPLE-GRATE BARRIER INTAKE			



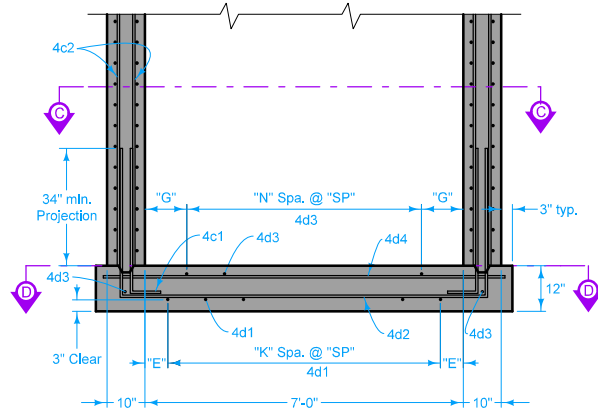
PART SECTION A-A
(Where H = 3' to 7')



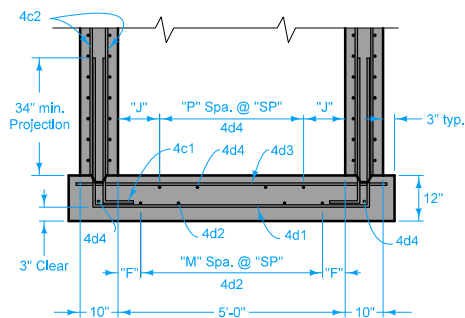
PART SECTION A-A
(Where H = 8' to 15')



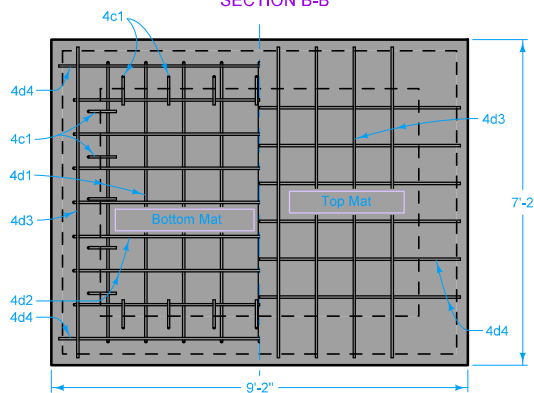
PART SECTION A-A
(Where H = 16' to 28')



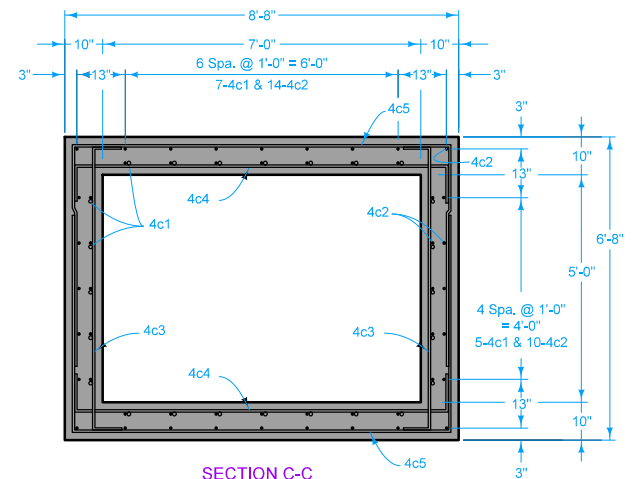
SECTION A-A



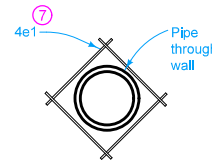
SECTION B-B



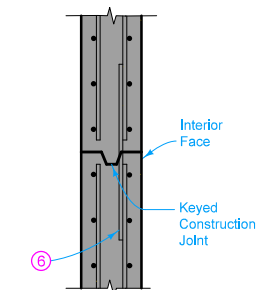
SECTION D-D
BASE REINFORCING



SECTION C-C



PIPE REINFORCING



C.I.P. Wall
CONSTRUCTION JOINT

⑥ Install one set of 4r1 x 3'-0" dowel bars @ 12 inch spacing at any wall joints. Twenty-eight 4r1 bars required per joint, total weight = 56 lbs.

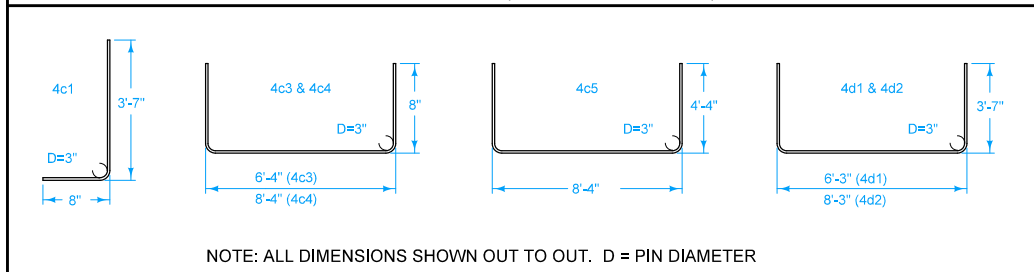
⑦ 4e1 bar length to be pipe diameter plus 12 inches. Place 4e1 bar inside of vertical reinforcing. Shift main reinforcing bars as required for pipe entrance. Field cut bars to maintain 3 inch clearance from bottom and 2 inch clearance from face of walls. Eight 4e1 bars required per pipe entrance.

 STANDARD ROAD PLAN	REVISION
	5 04-17-18
	SW-547
SHEET 6 of 7	
REVISIONS: Changed "invert" callout to "Concrete Fillet". Added maximum pipe size information.	
APPROVED BY DESIGN METHODS ENGINEER <i>Brian Smith</i>	
TRIPLE-GRATE BARRIER INTAKE	

VARIABLE DIMENSIONS AND QUANTITIES FOR RECTANGULAR OPTION

Dimensions						Bar List																				Quantities																			
"H" (Ft.)	"A" (In.)	"E" (In.)	"F" (In.)	"G" (In.)	"J" (In.)	No. of Spaces																				Concrete - Cu. Yds.				Steel Total lbs.															
No.	L	No.	L	4c3			4c4			4c5			4d1			4d2			4d3		4d4		Base	Lid	Walls	Total	⑩																		
				"B"	"C"	"D"	"B"	"C"	"D"	"B"	"C"	"D"	No.	L	SP	"K"	No.	L	SP	"M"	No.	L						SP	"N"	No.	L	SP	"P"	No.	L										
3	6	2"	0"	7"	5"	24	4'-3"	--	--	2	--	--	8	7'-8"	2	--	--	8	9'-8"	2	--	--	8	17'-0"	10"	8	9	13'-5"	10"	6	7	15'-5"	10"	7	10	6'-10"	10"	5	8	8'-10"	2.4	2.7	2.5	7.7	810
4	6	2"	0"	7"	5"	24	4'-3"	52	3'-10"	3	--	--	10	7'-8"	3	--	--	10	9'-8"	3	--	--	10	17'-0"	10"	8	9	13'-5"	10"	6	7	15'-5"	10"	7	10	6'-10"	10"	5	8	8'-10"	2.4	2.7	3.4	8.5	989
5	6	2"	0"	7"	5"	24	4'-3"	52	4'-10"	4	--	--	12	7'-8"	4	--	--	12	9'-8"	4	--	--	12	17'-0"	10"	8	9	13'-5"	10"	6	7	15'-5"	10"	7	10	6'-10"	10"	5	8	8'-10"	2.4	2.7	4.2	9.4	1,068
6	6	2"	0"	7"	5"	24	4'-3"	52	5'-10"	5	--	--	14	7'-8"	5	--	--	14	9'-8"	5	--	--	14	17'-0"	10"	8	9	13'-5"	10"	6	7	15'-5"	10"	7	10	6'-10"	10"	5	8	8'-10"	2.4	2.7	5.1	10.2	1,150
7	6	2"	2"	6"	6"	24	4'-3"	52	6'-10"	6	--	--	16	7'-8"	6	--	--	16	9'-8"	6	--	--	16	17'-0"	8"	10	11	13'-5"	8"	7	8	15'-5"	8"	9	12	6'-10"	8"	6	9	8'-10"	2.4	2.7	5.9	11.0	1,273
8	9	2"	2"	6"	6"	24	4'-3"	52	7'-10"	6	1	--	18	7'-8"	6	1	--	18	9'-8"	6	1	--	18	17'-0"	8"	10	11	13'-5"	8"	7	8	15'-5"	8"	9	12	6'-10"	8"	6	9	8'-10"	2.4	2.7	6.8	11.9	1,353
9	12	2"	2"	6"	6"	24	4'-3"	52	8'-10"	6	2	--	20	7'-8"	6	2	--	20	9'-8"	6	2	--	20	17'-0"	8"	10	11	13'-5"	8"	7	8	15'-5"	8"	9	12	6'-10"	8"	6	9	8'-10"	2.4	2.7	7.6	12.7	1,434
10	6	2"	2"	6"	6"	24	4'-3"	52	9'-10"	6	4	--	24	7'-8"	6	4	--	24	9'-8"	6	4	--	24	17'-0"	8"	10	11	13'-5"	8"	7	8	15'-5"	8"	9	12	6'-10"	8"	6	9	8'-10"	2.4	2.7	8.4	13.6	1,562
11	9	2"	2"	6"	6"	24	4'-3"	52	10'-10"	6	5	--	26	7'-8"	6	5	--	26	9'-8"	6	5	--	26	17'-0"	8"	10	11	13'-5"	8"	7	8	15'-5"	8"	9	12	6'-10"	8"	6	9	8'-10"	2.4	2.7	9.3	14.4	1,641
12	12	2"	2"	6"	6"	24	4'-3"	52	11'-10"	6	6	--	28	7'-8"	6	6	--	28	9'-8"	6	6	--	28	17'-0"	8"	10	11	13'-5"	8"	7	8	15'-5"	8"	9	12	6'-10"	8"	6	9	8'-10"	2.4	2.7	10.1	15.3	1,722
13	6	2"	2"	6"	6"	24	4'-3"	52	12'-10"	6	8	--	32	7'-8"	6	8	--	32	9'-8"	6	8	--	32	17'-0"	8"	10	11	13'-5"	8"	7	8	15'-5"	8"	9	12	6'-10"	8"	6	9	8'-10"	2.4	2.7	11.0	16.1	1,849
14	9	0"	0"	3"	3"	24	4'-3"	52	13'-10"	6	9	--	34	7'-8"	6	9	--	34	9'-8"	6	9	--	34	17'-0"	6"	14	15	13'-5"	6"	10	11	15'-5"	6"	13	16	6'-10"	6"	12	15	8'-10"	2.4	2.7	11.8	17.0	2,050
15	12	0"	0"	3"	3"	24	4'-3"	52	14'-10"	6	10	--	36	7'-8"	6	10	--	36	9'-8"	6	10	--	36	17'-0"	6"	14	15	13'-5"	6"	10	11	15'-5"	6"	13	16	6'-10"	6"	12	15	8'-10"	2.4	2.7	12.7	17.8	2,129
16	12	0"	0"	3"	3"	24	4'-3"	52	15'-10"	6	10	2	40	7'-8"	6	10	2	40	9'-8"	6	10	2	40	17'-0"	6"	14	15	13'-5"	6"	10	11	15'-5"	6"	13	16	6'-10"	6"	12	15	8'-10"	2.4	2.7	13.5	18.6	2,256
17	12	0"	0"	3"	3"	24	4'-3"	52	16'-10"	6	10	4	44	7'-8"	6	10	4	44	9'-8"	6	10	4	44	17'-0"	6"	14	15	13'-5"	6"	10	11	15'-5"	6"	13	16	6'-10"	6"	12	15	8'-10"	2.4	2.7	14.4	19.5	2,383
18	12	0"	0"	3"	3"	24	4'-3"	52	17'-10"	6	10	6	48	7'-8"	6	10	6	48	9'-8"	6	10	6	48	17'-0"	6"	14	15	13'-5"	6"	10	11	15'-5"	6"	13	16	6'-10"	6"	12	15	8'-10"	2.4	2.7	15.2	20.3	2,509
19	12	0"	0"	3"	3"	24	4'-3"	52	18'-10"	6	10	8	52	7'-8"	6	10	8	52	9'-8"	6	10	8	52	17'-0"	6"	14	15	13'-5"	6"	10	11	15'-5"	6"	13	16	6'-10"	6"	12	15	8'-10"	2.4	2.7	16.0	21.2	2,636
20	12	0"	0"	3"	3"	24	4'-3"	52	19'-10"	6	10	10	56	7'-8"	6	10	10	56	9'-8"	6	10	10	56	17'-0"	6"	14	15	13'-5"	6"	10	11	15'-5"	6"	13	16	6'-10"	6"	12	15	8'-10"	2.4	2.7	16.9	22.0	2,763
21	12	0"	0"	3"	3"	24	4'-3"	52	20'-10"	6	10	12	60	7'-8"	6	10	12	60	9'-8"	6	10	12	60	17'-0"	6"	14	15	13'-5"	6"	10	11	15'-5"	6"	13	16	6'-10"	6"	12	15	8'-10"	2.4	2.7	17.7	22.9	2,888
22	12	0"	0"	3"	3"	24	4'-3"	52	21'-10"	6	10	14	64	7'-8"	6	10	14	64	9'-8"	6	10	14	64	17'-0"	6"	14	15	13'-5"	6"	10	11	15'-5"	6"	13	16	6'-10"	6"	12	15	8'-10"	2.4	2.7	18.6	23.7	3,015
23	12	0"	0"	3"	3"	24	4'-3"	52	22'-10"	6	10	16	68	7'-8"	6	10	16	68	9'-8"	6	10	16	68	17'-0"	6"	14	15	13'-5"	6"	10	11	15'-5"	6"	13	16	6'-10"	6"	12	15	8'-10"	2.4	2.7	19.4	24.6	3,141
24	12	0"	0"	3"	3"	24	4'-3"	52	23'-10"	6	10	18	72	7'-8"	6	10	18	72	9'-8"	6	10	18	72	17'-0"	6"	14	15	13'-5"	6"	10	11	15'-5"	6"	13	16	6'-10"	6"	12	15	8'-10"	2.4	2.7	20.3	25.4	3,269
25	12	0"	0"	3"	3"	24	4'-3"	52	24'-10"	6	10	20	76	7'-8"	6	10	20	76	9'-8"	6	10	20	76	17'-0"	6"	14	15	13'-5"	6"	10	11	15'-5"	6"	13	16	6'-10"	6"	12	15	8'-10"	2.4	2.7	21.1	26.3	3,395
26	12	0"	0"	3"	3"	24	4'-3"	52	25'-10"	6	10	22	80	7'-8"	6	10	22	80	9'-8"	6	10	22	80	17'-0"	6"	14	15	13'-5"	6"	10	11	15'-5"	6"	13	16	6'-10"	6"	12	15	8'-10"	2.4	2.7	22.0	27.1	3,521
27	12	0"	0"	3"	3"	24	4'-3"	52	26'-10"	6	10	24	84	7'-8"	6	10	24	84	9'-8"	6	10	24	84	17'-0"	6"	14	15	13'-5"	6"	10	11	15'-5"	6"	13	16	6'-10"	6"	12	15	8'-10"	2.4	2.7	22.8	27.9	3,647
28	12	0"	0"	3"	3"	24	4'-3"	52	27'-10"	6	10	26	88	7'-8"	6	10	26	88	9'-8"	6	10	26	88	17'-0"	6"	14	15	13'-5"	6"	10	11	15'-5"	6"	13	16	6'-10"	6"	12	15	8'-10"	2.4	2.7	23.7	28.8	3,774

BENT BAR DETAILS (RECTANGULAR OPTION)



- ⑧ A = First bar spacing at top of wall. Minimum spacing is 3 inches. Maximum spacing is 12 inches. Adjust as necessary.
- ⑨ See Section A-A on sheet 2 for spacing.
- ⑩ Quantity includes 312 lbs. for lid.

 STANDARD ROAD PLAN	REVISION	5	04-17-18
	SW-547		
	SHEET 7 of 7		
	REVISIONS: Changed "invert" callout to "Concrete Fillet". Added maximum pipe size information.		
APPROVED BY DESIGN METHODS ENGINEER 			
TRIPLE-GRATE BARRIER INTAKE			