

① Insert shaping may be modified for insert widths less than 36 inches. For an 18 inch insert, reduce dimensions indicated by 1/4 inch.

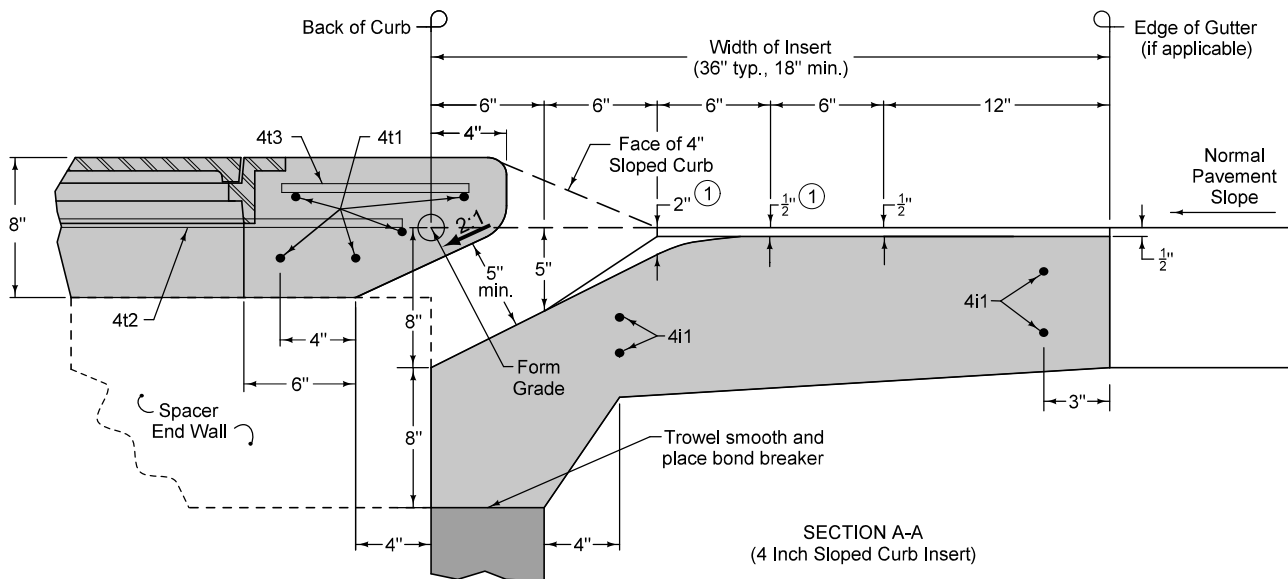
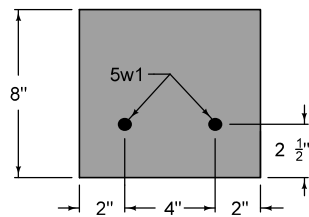
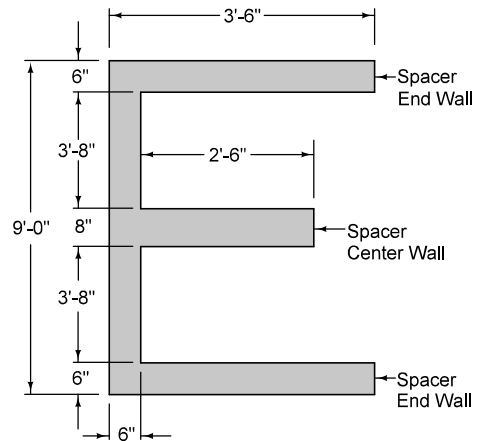


FIGURE 6010.509 SHEET 1 OF 3

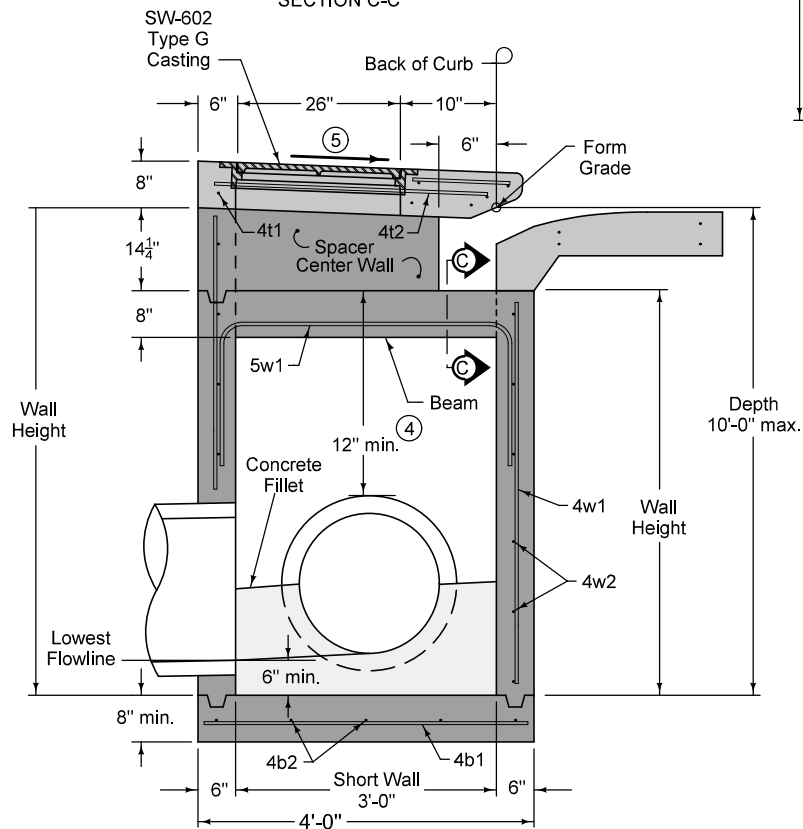
SUDAS	IOWADOT	REVISION
		5 04-17-18
FIGURE 6010.509	STANDARD ROAD PLAN	SW-509
		SHEET 1 of 3
REVISIONS: Added second Insert drawing to include 4" curb. Changed "Invert" callout to "Concrete Fillet". Modified circle notes.		
<i>Paul D. Wigand</i> SUDAS DIRECTOR		<i>Brian Smith</i> DESIGN METHODS ENGINEER
DOUBLE OPEN-THROAT CURB INTAKE, SMALL BOX		



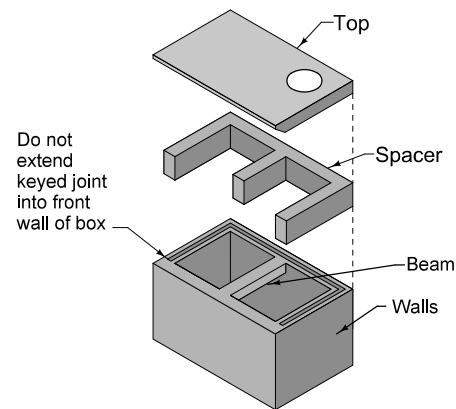
SECTION C-C



PLAN (SPACER)



SECTION B-B



ISOMETRIC
(Refer to SECTION B-B for alignment of Top with Spacer)

- ④ 12 inch minimum wall height above all pipes.
- ⑤ Slope of 1.5% or as specified in the contract documents.

MAXIMUM PIPE DIAMETERS		
Pipe Location	Precast Structure	Cast-in-place Structure
Short Wall	24"	30"
Long Wall	60"	66"

FIGURE 6010.509 SHEET 3 OF 3

SUDAS	IOWADOT	REVISION
		5 04-17-18
FIGURE 6010.509	STANDARD ROAD PLAN	SW-509
		SHEET 3 of 3
REVISIONS: Added second Insert drawing to include 4" curb. Changed "invert" callout to "Concrete Fillet". Modified circle notes.		
<i>Paul D. Wigand</i> SUDAS DIRECTOR		<i>Brian Smith</i> DESIGN METHODS ENGINEER
DOUBLE OPEN-THROAT CURB INTAKE, SMALL BOX		