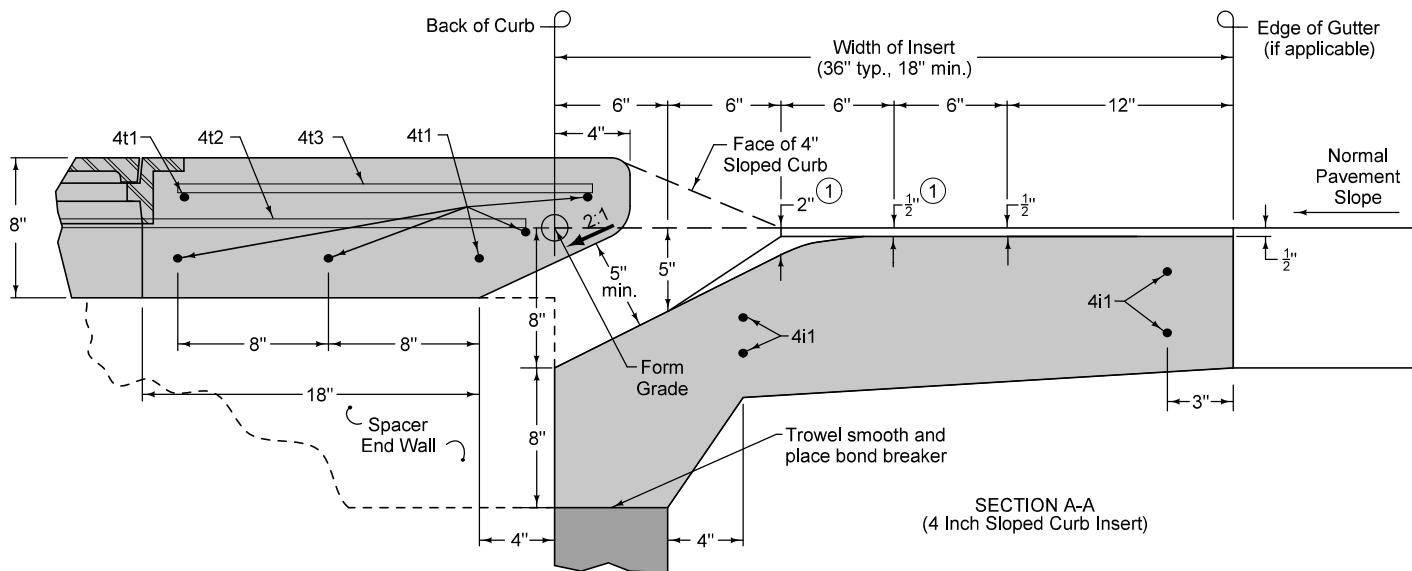


SECTION A-A
(6 Inch Standard Curb Insert)

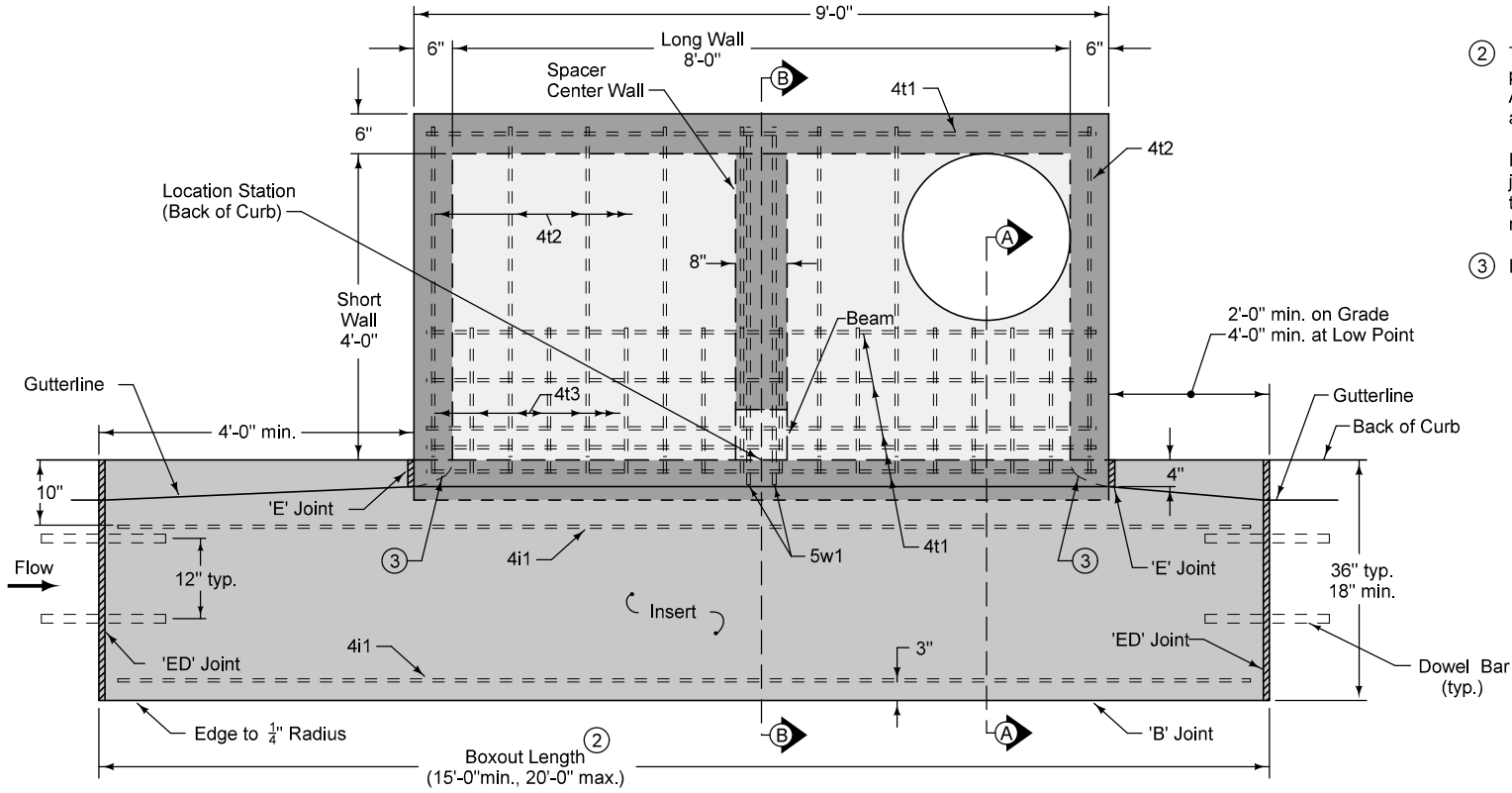
① Insert shaping may be modified for insert widths less than 36 inches. For an 18 inch insert, reduce dimensions indicated by $\frac{1}{4}$ inch.



SECTION A-A
(4 Inch Sloped Curb Insert)

FIGURE 6010.510 SHEET 1 OF 3

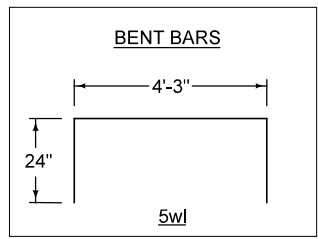
SUDAS	IOWADOT	REVISION
		5 04-17-18
FIGURE 6010.510	STANDARD ROAD PLAN	SW-510
		SHEET 1 of 3
<small>REVISIONS: Added second Insert drawing to include 4" curb. Changed "Insert" callout to "Concrete Fillet". Modified circle notes.</small>		
<i>Paul D. Wigand</i> SUDAS DIRECTOR		<i>Brian Smith</i> DESIGN METHODS ENGINEER
DOUBLE OPEN-THROAT CURB INTAKE, LARGE BOX		



PLAN

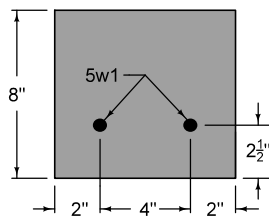
- ② Transverse joint spacing on new concrete pavement is controlled by the intake boxout. Adjust adjacent joint spacing as required to accommodate boxouts.
- For retrofit intakes, match existing pavement joints. Stop any transverse pavement joints that do not conform to the minimum spacing requirements at the edge of the insert area.
- ③ Rounded shaping at inlet.

REINFORCING BAR LIST						
Mark	Size	Location	Shape	Count	Length	Spacing
4b1	4	Base	—	9	4'-6"	12"
4b2	4	Base	—	6	8'-6"	11"
4i1	4	Insert	—	4	Boxout Length minus 8"	See Insert
4t1	4	Top	—	7	8'-6"	See Plan
4t2	4	Top	—	8	4'-4"	12"
4t3	4	Top	—	18	1'-10"	6"
4w1	4	Walls	—	24	Wall Height minus 4"	13"
4w2	4	Long Walls	—	Varies	4'-8"	12"
4w3	4	Short Walls	—	Varies	8'-8"	12"
5w1	5	Beam	⌊	2	8'-3"	4"

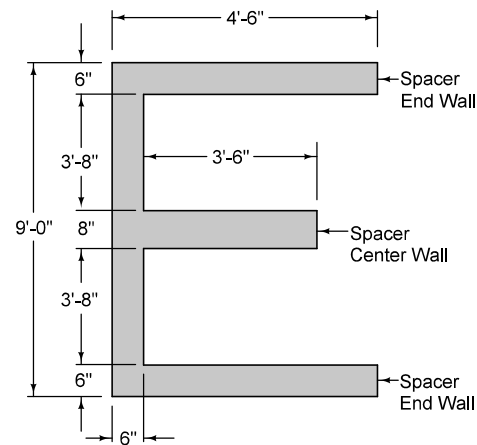


SUDAS IOWADOT	REVISION	5	04-17-18
	FIGURE 6010.510	STANDARD ROAD PLAN	SW-510
REVISIONS: Added second insert drawing to include 4" curb. Changed 'Insert' callout to 'Concrete Filet'. Modified circle notes.			SHEET 2 of 3
Paul D. Wigand SUDAS DIRECTOR		Brian Smith DESIGN METHODS ENGINEER	
DOUBLE OPEN-THROAT CURB INTAKE, LARGE BOX			

FIGURE 6010.510 SHEET 2 OF 3



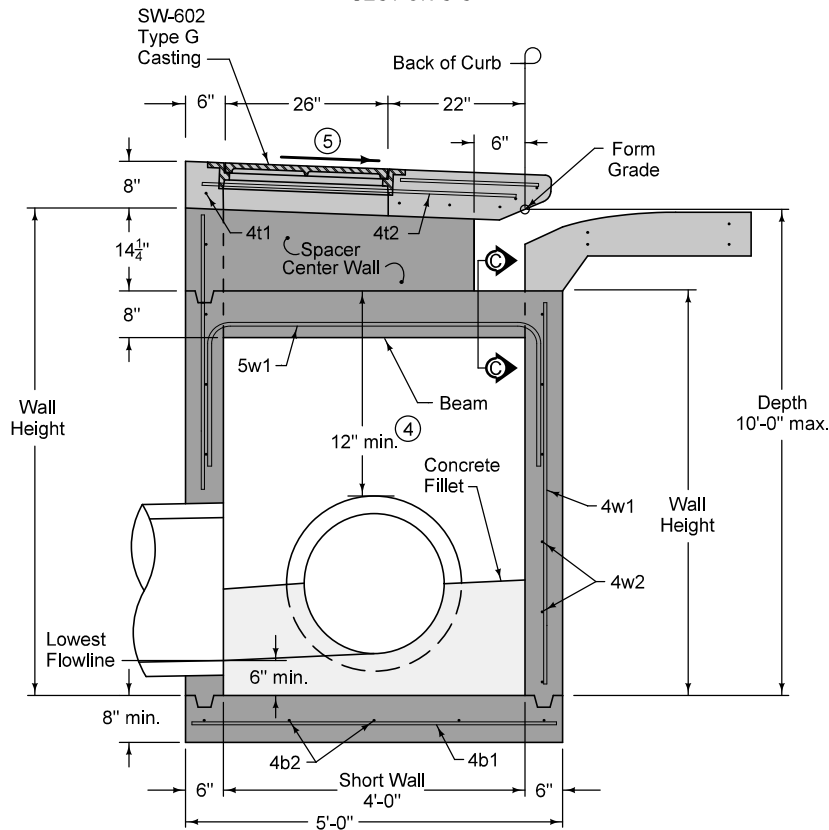
SECTION C-C



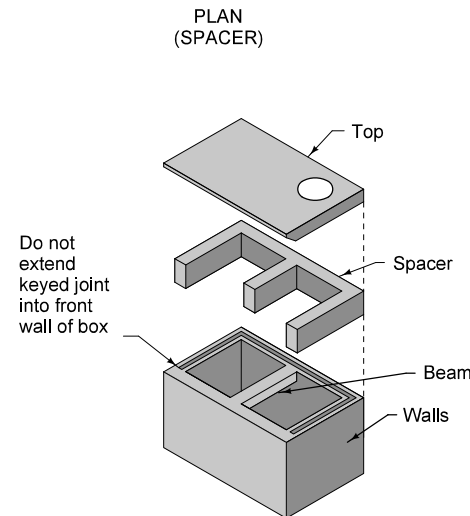
PLAN (SPACER)

- ④ 12 inch minimum wall height above all pipes.
- ⑤ Slope of 1.5% or as specified in the contract documents.

MAXIMUM PIPE DIAMETERS		
Pipe Location	Precast Structure	Cast-in-place Structure
Short Wall	30"	36"
Long Wall	60"	66"



SECTION B-B



ISOMETRIC
(Refer to Section B-B
for alignment of Top
with Spacer)

FIGURE 6010.510 SHEET 3 OF 3

SUDAS	IOWADOT	REVISION
		5 04-17-18
FIGURE 6010.510	STANDARD ROAD PLAN	SW-510
		SHEET 3 of 3
REVISIONS: Added second Insert drawing to include 4" curb. Changed "invert" callout to "Concrete Fillet". Modified circle notes.		
<i>Paul D. Wigand</i> SUDAS DIRECTOR		<i>Brian Smith</i> DESIGN METHODS ENGINEER
DOUBLE OPEN-THROAT CURB INTAKE, LARGE BOX		