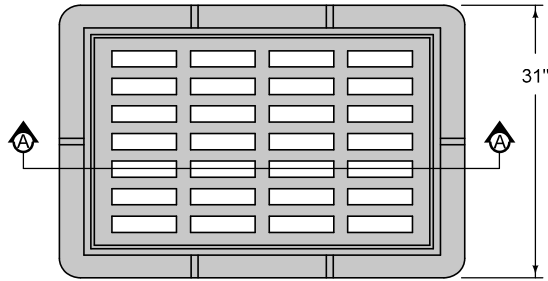
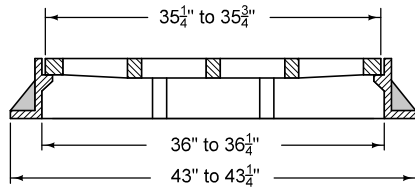


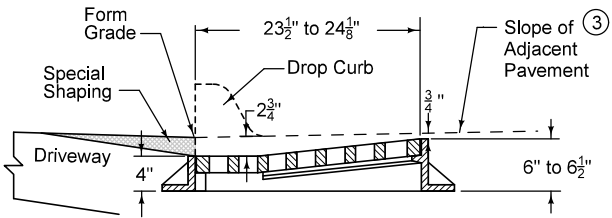
TYPE Q ^①
 Driveway Gate
 (Minimum open area 370 in²)



PLAN

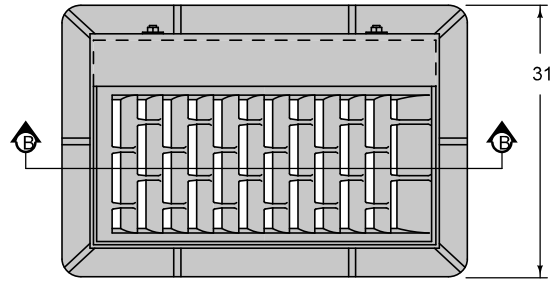


SECTION A-A

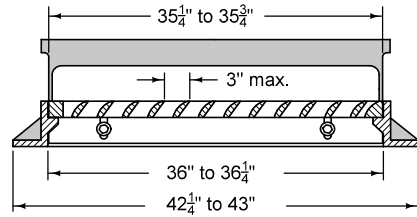


TYPICAL SECTION

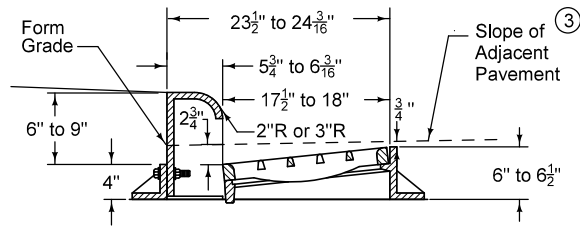
TYPE R ^②
 Curb Inlet Gate
 (Minimum open area 180 in²)



PLAN



SECTION B-B



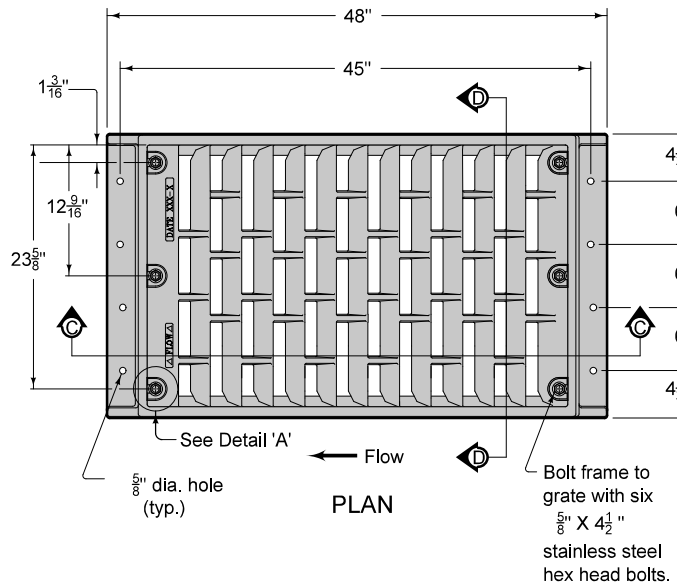
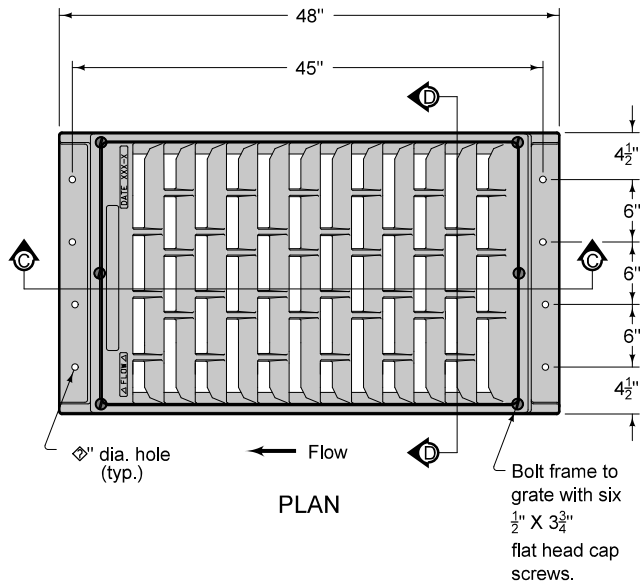
TYPICAL SECTION

- ① For use at curb drops for driveways. Use only when specified in the contract documents.
- ② Provide bicycle-safe vane-style grate. At low points, grates with vanes facing both directions of flow are allowed.
- ③ For details of boxout pavement, refer to SW-514.

FIGURE 6010.603 SHEET 1 OF 2

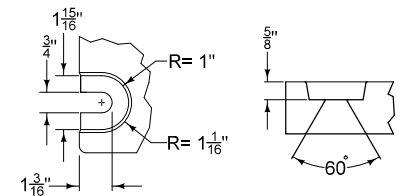
SUDAS	IOWADOT	REVISION
		5 04-17-18
FIGURE 6010.603	STANDARD ROAD PLAN	SW-603
		SHEET 1 of 2
REVISIONS: Added dimension on back of grate on page 1. Replace Iowa DOT and SUDAS logos.		
<i>Paul D. Wigand</i> SUDAS DIRECTOR		<i>Brian Smith</i> DESIGN METHODS ENGINEER
CASTINGS FOR GRATE INTAKES		

TYPE S ②④
 Barrier Intake Gate
 (Minimum open area 300 in²)

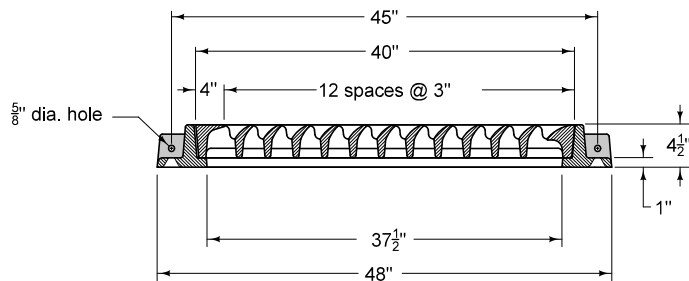


- ② Provide bicycle-safe vane-style grate. At low points, grates with vanes facing both directions of flow are allowed. The Contractor has the choice of which Type S Grate to use.
- ④ Use ductile iron frame castings meeting the requirements of ASTM A 536.

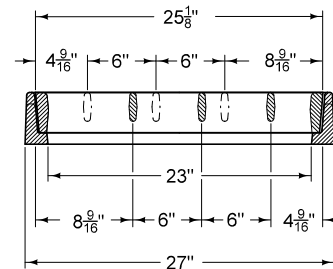
Frame minimum weight = 220 lbs.
 Grate minimum weight = 340 lbs.



DETAIL 'A'
 Bolt Slot Detail



SECTION C-C



SECTION D-D

FIGURE 6010.603 SHEET 2 OF 2

SUDAS	IOWADOT	REVISION
		5 04-17-18
FIGURE 6010.603	STANDARD ROAD PLAN	SW-603
		SHEET 2 of 2
REVISIONS: Added dimension on back of grate on page 1. Replace Iowa DOT and SUDAS logos.		
<i>Paul D. Wigand</i> SUDAS DIRECTOR		<i>Brian Smith</i> DESIGN METHODS ENGINEER
CASTINGS FOR GRATE INTAKES		