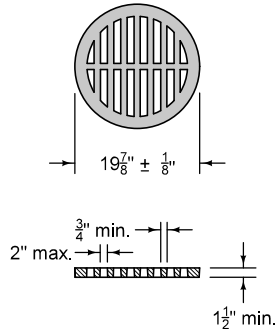
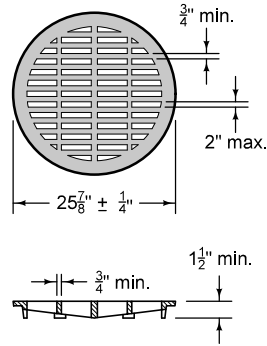


TYPE 4



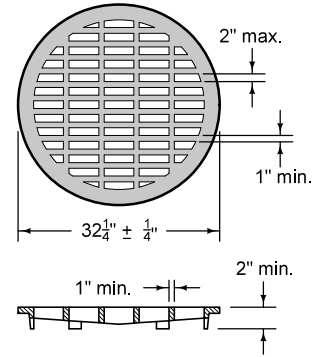
TYPE 4A

For Placement on 18" RCP



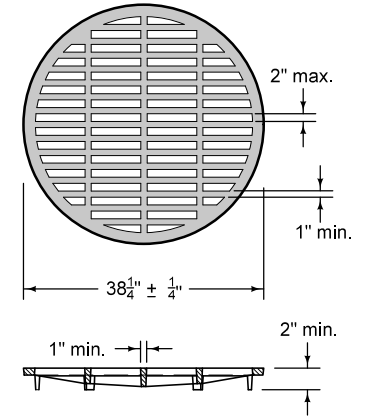
TYPE 4B

For Placement on 24" RCP



TYPE 4C

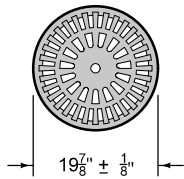
For Placement on 30" RCP



TYPE 4D

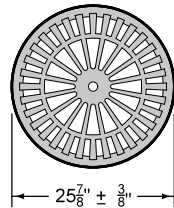
For Placement on 36" RCP

TYPE 3  
(Light Duty)



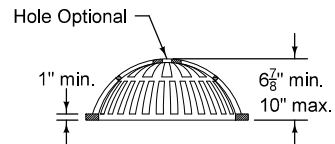
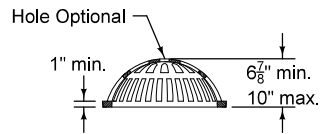
TYPE 3A

For Placement on 18" RCP



TYPE 3B

For Placement on 24" RCP



TYPE 5  
(Light Duty)  
For Placement on 24" to 30" RCP

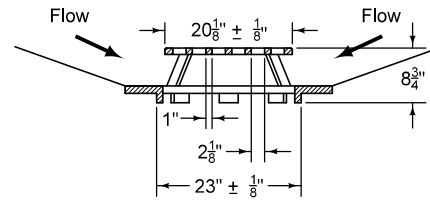
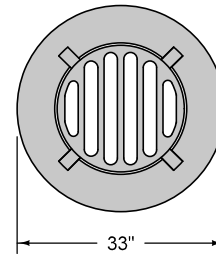


FIGURE 6010.604 | SHEET 1 OF 2

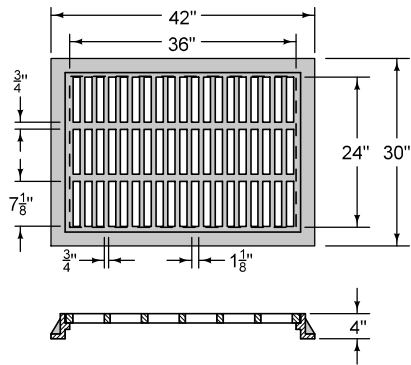
SUDAS	IOWADOT	REVISION
		2   04-17-18
FIGURE 6010.604	STANDARD ROAD PLAN	<b>SW-604</b>
		SHEET 1 of 2

REVISIONS: Replaced Iowa DOT and SUDAS logos.

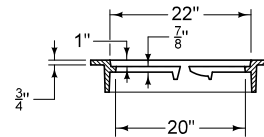
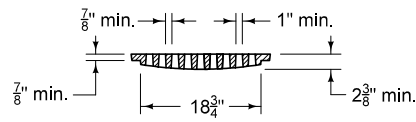
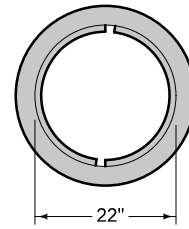
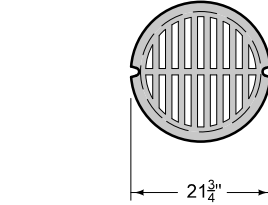
*Bruce D. Wigand* SUDAS DIRECTOR  
*Brian Smith* DESIGN METHODS ENGINEER

CASTINGS FOR AREA INTAKES

TYPE 6



TYPE 9  
(Light Duty)



GRATE ①

Minimum Weight = 85 lbs.

FRAME

Minimum Weight = 75 lbs.

- ① Cast grate without locking lugs so it may be used in an inverted position.

SUDAS	IOWADOT	REVISION
		2   04-17-18
FIGURE 6010.604	STANDARD ROAD PLAN	<b>SW-604</b>
		SHEET 2 of 2

REVISIONS: Replaced Iowa DOT and SUDAS logos.

*Paul D. Wigand*  
SUDAS DIRECTOR

*Brian Smith*  
DESIGN METHODS ENGINEER

CASTINGS FOR AREA INTAKES