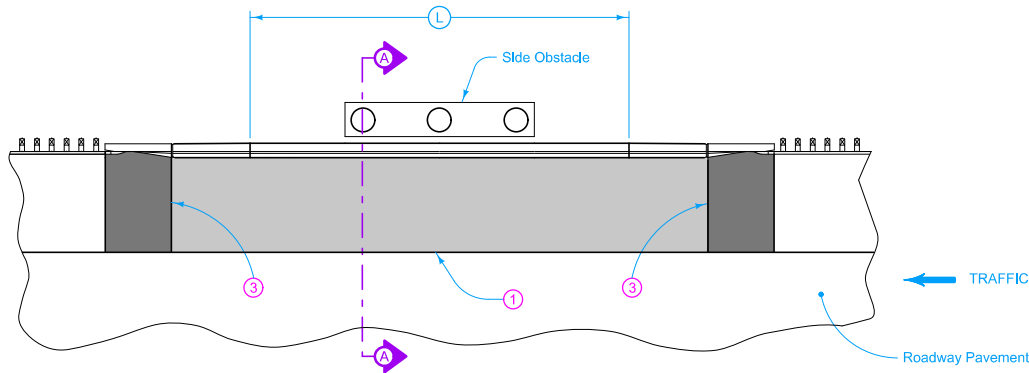
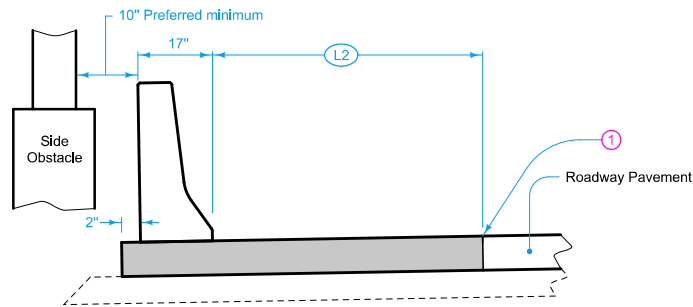


ELEVATION



PLAN







SECTION A-A

- ① "L-2" or "KT-2" joint. When roadway pavement is existing, use "BT-3" joint. See PV-101.
- ② Refer to BA-250.
- ③ "C" Joint; match existing roadway joints when possible. See PV-101.
- ④ Refer to project typicals.
- ⑤ Refer to BA-106.

Possible Contract Items:
 Concrete Barrier Items
 Steel Beam Guardrail Items
 PCC Paved Shoulder
 Reinforced Paved Shoulder

Possible Tabulations:
 108-18B
 112-9

LEGEND	
	PCC Paved Shoulder ④
	Reinforced PCC Paved Shoulder ⑤

 STANDARD ROAD PLAN	REVISION 2 10-15-19
	BA-150 SHEET 1 of 1
REVISIONS: New Logo.	
APPROVED BY DESIGN METHODS ENGINEER 	
SIDE OBSTACLE PROTECTION WITH CONCRETE BARRIER AND GUARDRAIL	