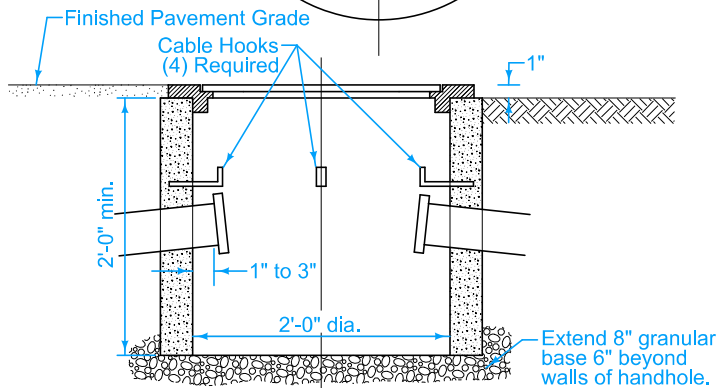
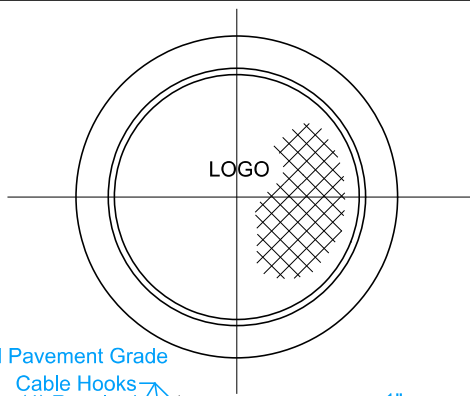
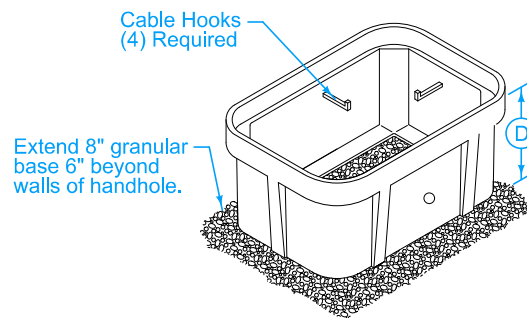
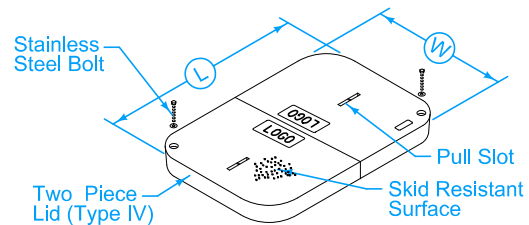
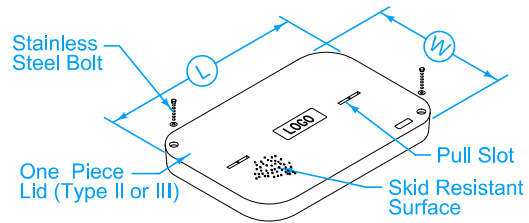


CONDUIT IN TRENCH



PRECAST CONCRETE HANDHOLE (TYPE I)



PRECAST CONCRETE COMPOSITE HANDHOLE

HANDHOLE DIMENSIONS TABLE (NOMINAL)			
TYPE	L	W	D
II	30"	17"	24"
III	36"	24"	30"
IV	48"	30"	36"

		REVISION
		New 10-21-14
FIGURE 8010.103	STANDARD ROAD PLAN	LI-103
REVISIONS: New.		SHEET 1 of 1
SUDAS DIRECTOR		DESIGN METHODS ENGINEER
CONDUIT AND PRECAST HANDHOLES		