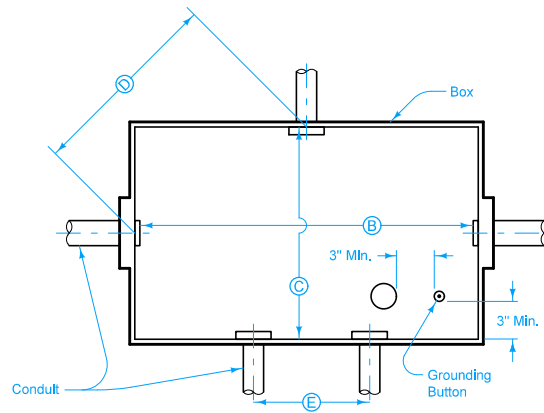
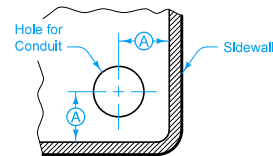


JUNCTION BOX



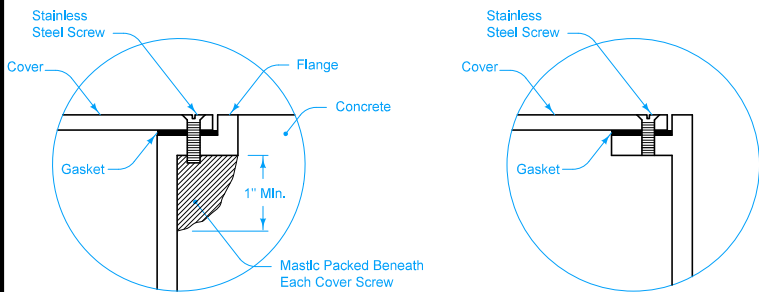
JUNCTION BOX REQUIREMENTS

For straight pulls Min. 'B' = 8 diameters of larger conduit
 For opposite wall Min. 'C' = 6 diameters of larger conduit
 For right angle turns Min. 'D' = 8 diameters of larger conduit



CONDUIT LOCATION FOR LOCK NUT AND BUSHING CLEARANCE - 'A'										
Conduit Size	1/2"	3/4"	1"	1 1/4"	1 1/2"	2"	2 1/2"	3"	3 1/2"	4"
Minimum Clearance	1"	1"	1 1/8"	1 3/8"	1 1/2"	1 3/4"	2 1/8"	2 1/2"	2 7/8"	3 1/8"

MINIMUM SPACING BETWEEN CONDUIT CENTERS - 'E'											
Size	1/2"	3/4"	1"	1 1/4"	1 1/2"	2"	2 1/2"	3"	3 1/2"	4"	
1/2"		1 1/4"	1 3/8"	1 5/8"	1 7/8"	2"	2 3/8"	2 5/8"	3"	3 1/4"	
3/4"			1 1/2"	1 3/4"	2"	2 1/4"	2 3/4"	3 1/8"	3 3/8"	3 3/4"	
1"				2"	2 1/4"	2 3/8"	2 3/4"	3"	3 3/8"	3 5/8"	
1 1/4"					2 1/2"	2 5/8"	3"	3 1/4"	3 5/8"	3 7/8"	
1 1/2"						2 3/4"	3 1/8"	3 3/8"	3 3/4"	4"	
2"							3 1/2"	4"	4 3/8"	4 3/4"	
2 1/2"								4"	4 3/8"	4 5/8"	
3"									4 3/8"	4 5/8"	
3 1/2"										5"	
4"											5 3/8"
											5 3/4"
											6"



TYPE 1

TYPE 2

CORNER DETAILS OF JUNCTION BOX

Alternate design may be submitted to the Engineer for approval.

Approved galvanized steel covers may be substituted for cast iron.

Fit grounding buttons with 3/8" x 3/4" brass screws unless specified otherwise.

Type, size and location of holes will be shown on the plans.

Use slip holes only for junction box drains unless specified otherwise.

1 In locations subject to pedestrian traffic, install junction box covers with approved anti-skid pattern.

Contract Items:

Handholes and Junction Boxes

 STANDARD ROAD PLAN	REVISION
	New 10-21-14
	LI-104
SHEET 1 of 1	
REVISIONS: New. Replaces RM-37.	
 APPROVED BY DESIGN METHODS ENGINEER	
JUNCTION BOX (CAST IRON)	