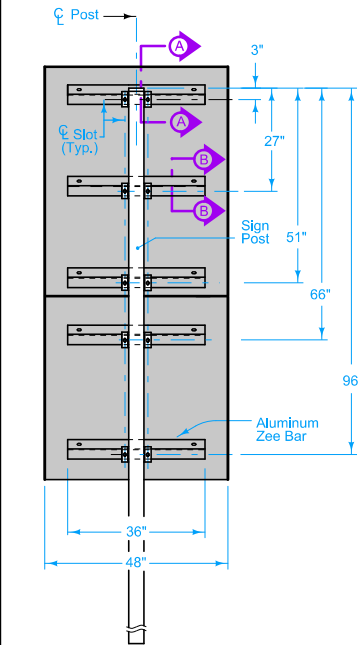


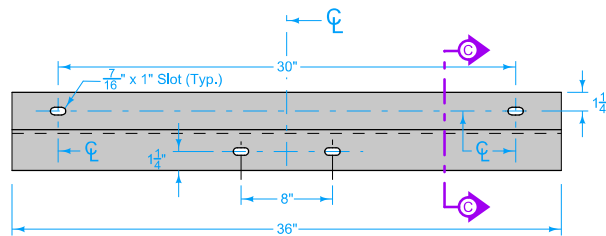
PLAN

*NOTE: Treated Wood or Perforated Square Tube Post

WOOD OR PERFORATED SQUARE TUBE POST ATTACHMENT

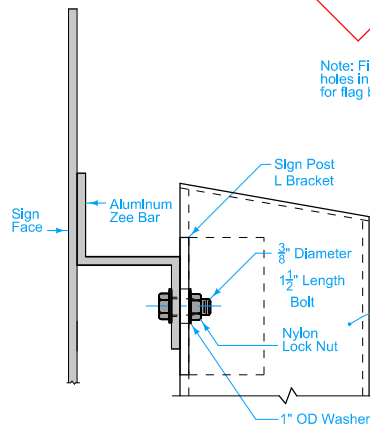


BACK ELEVATION 4" x 6" RECTANGULAR TUBE POST ATTACHMENT DETAILS

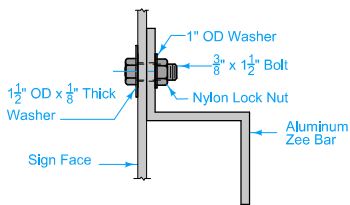


ALUMINUM ZEE BAR

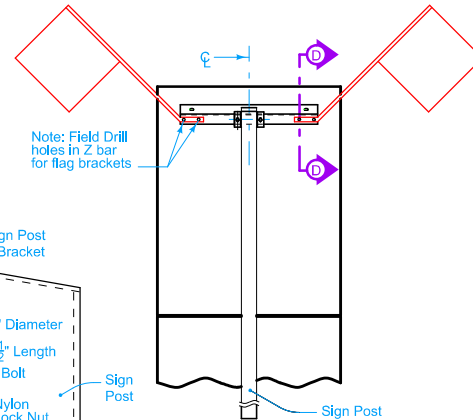
RECTANGULAR TUBE POST ATTACHMENT



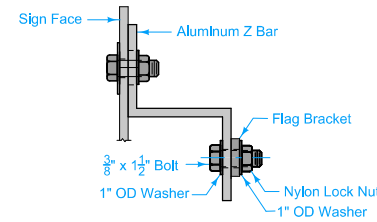
SECTION A-A



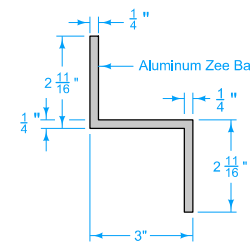
SECTION B-B



BACK ELEVATION ATTACHMENT DETAILS FOR FLAGS



SECTION D-D



SECTION C-C

Refer to SI-114 for details of steel breakaway sign post rectangular tube.

Possible Contract Items:
Steel Breakaway Sign Post
Wood Sign Post

 STANDARD ROAD PLAN	REVISION	4	10-18-16
	SI-131		
	SHEET 1 of 1		

REVISIONS: Replaced old Iowa DOT logo with new logo.

Brian Smith
APPROVED BY DESIGN METHODS ENGINEER

INSTALLATION - TYPE 'A' SIGNS