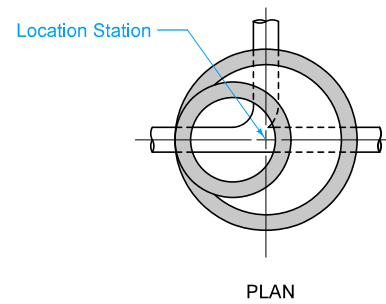
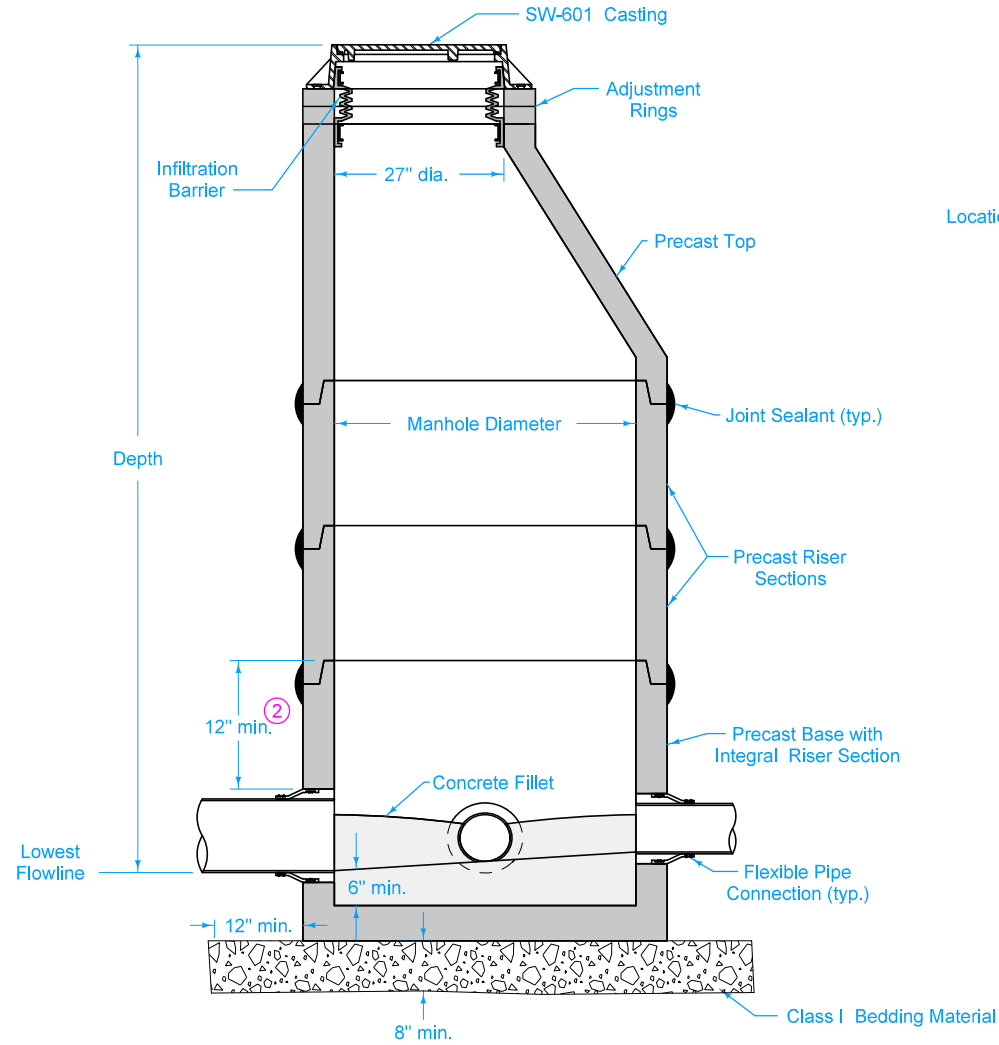


- ① For additional configurations, maintain a minimum of 12 inches of concrete between vertical edges of pipe openings.
- ② 12 inch minimum riser height above all pipe openings.



| | Maximum Pipe Diameter (inches) for 2 Pipes ① | |
|----|--|-------------------|
| | At 180° Separation | At 90° Separation |
| 48 | 24 | 18 |
| 60 | 36 | 24 |
| 72 | 42 | 30 |
| 84 | 48 | 36 |
| 96 | 60 | 42 |

TYPICAL SECTION

| | | |
|--|--------------------|---|
| SUDAS | IOWADOT | REVISION |
| | | 3 04-21-20 |
| FIGURE 6010.301 | STANDARD ROAD PLAN | SW-301 |
| | | SHEET 1 of 1 |
| REVISIONS: Changed 1 to 1 on Bedding Material and removed steps. | | |
| <i>Paul D. Wigand</i> SUDAS DIRECTOR | | <i>Stuart Nadeau</i> DESIGN METHODS ENGINEER |

CIRCULAR SANITARY SEWER MANHOLE

FIGURE 6010.301 SHEET 1 OF 1