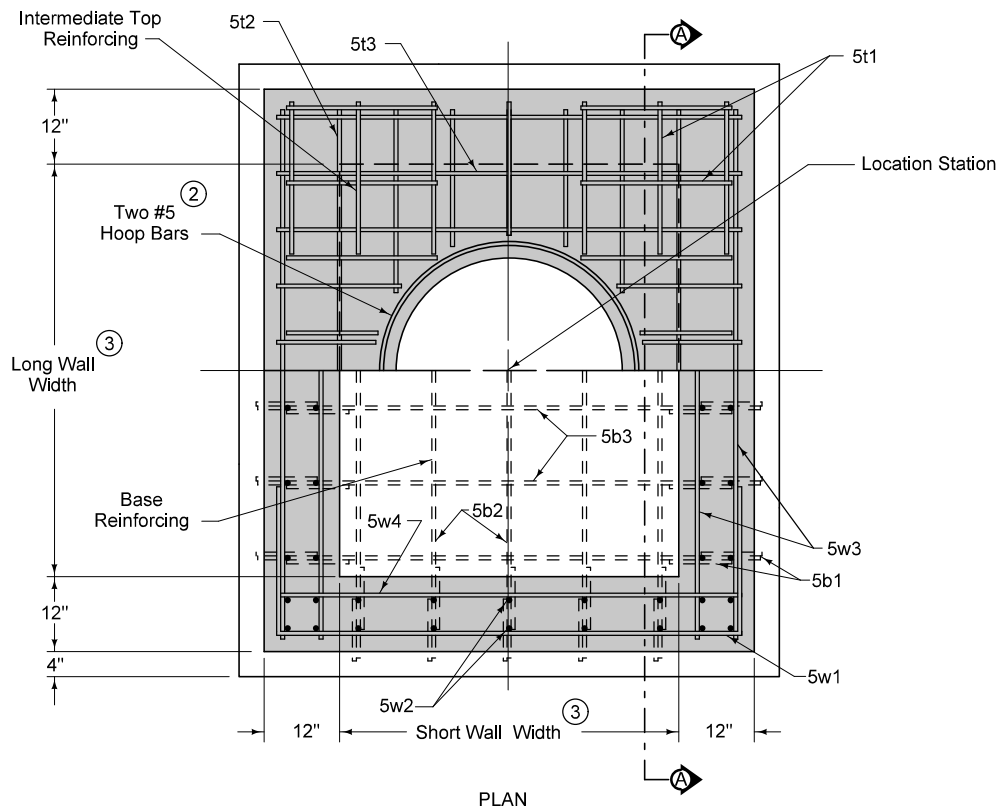


Adjacent walls may have different widths based upon pipe configuration, but structure must be rectangular.

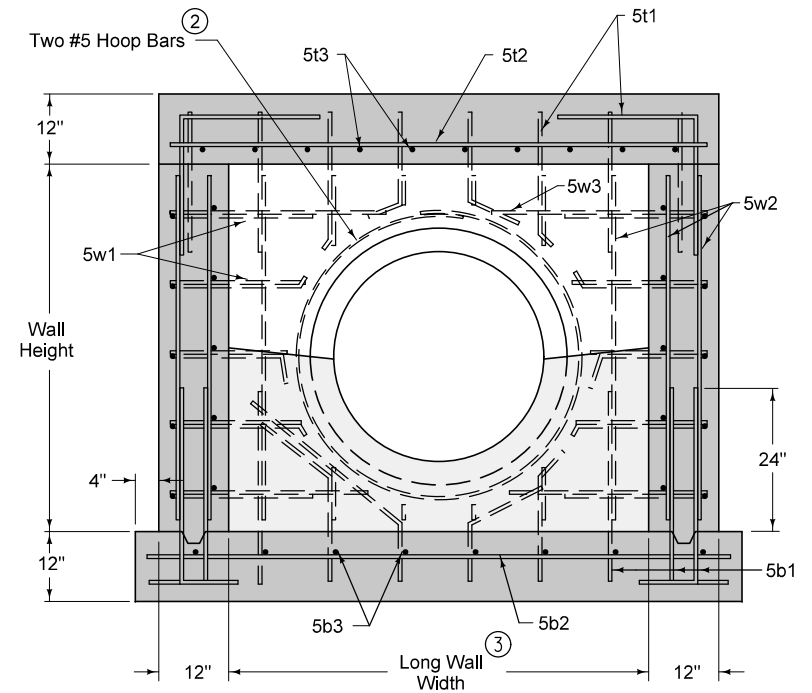
- ① Cast-in-place base shown. If base is precast integral with walls, the footprint of the base is not required to extend beyond the outer edge of the walls.
- ② Provide two #5 hoop bars at intermediate top opening and at all pipe openings.
- ③ Wall widths vary with pipe diameter and range from 4 feet minimum to 12 feet maximum. Provide 12 inches of wall width (minimum) each side of pipe opening.
- ④ 12 inch minimum wall height above all pipe openings.

FIGURE 6010.304 SHEET 1 OF 2

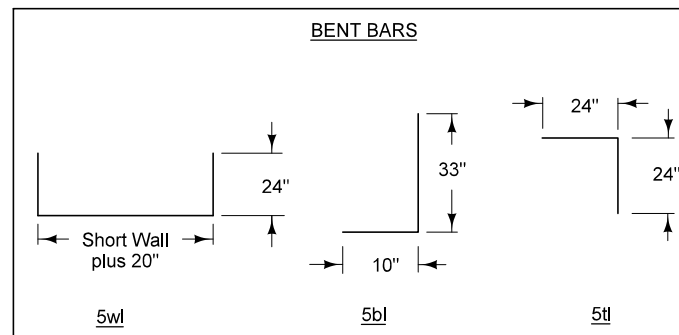
SUDAS IOWADOT	FIGURE 6010.304 STANDARD ROAD PLAN	REVISION
		3 04-21-20
SUDAS DIRECTOR		DESIGN METHODS ENGINEER
<b>RECTANGULAR BASE/ CIRCULAR TOP SANITARY SEWER MANHOLE</b>		



- ② Provide two #5 hoop bars at intermediate top opening and at all pipe openings.
- ③ Wall widths vary with pipe diameter and range from 4 feet minimum to 12 feet maximum. Provide 12 inches of wall opening (minimum) each side of pipe opening.



REINFORCING BAR LIST					
Mark	Size	Location	Shape	Length	Spacing
5t1	5	Top		48"	12"
5t2	5	Top		Long Wall plus 20"	9"
5t3	5	Top		Short Wall plus 20"	9"
5t4	5	Top		8"	12"
5b1	5	Base		43"	12"
5b2	5	Base		Long Wall plus 26"	12"
5b3	5	Base		Short Wall plus 26"	12"
5w1	5	Top		Short Wall plus 68"	12"
5w2	5	Top		Wall Height minus 4"	12"
5w3	5	Top		Long Wall plus 20"	12"
5w4	5	Top		Short Wall plus 20"	12"



SECTION A-A

SUDAS IOWADOT	REVISION 3 04-21-20
	<b>SW-304</b> SHEET 2 of 2
REVISIONS: Added Class 1 Bedding Material and removed steps.	
Paul D. Wigand SUDAS DIRECTOR	
Shawn Miller DESIGN METHODS ENGINEER	
<b>RECTANGULAR BASE/          CIRCULAR TOP          SANITARY SEWER MANHOLE</b>	

FIGURE 6010.304 SHEET 2 OF 2