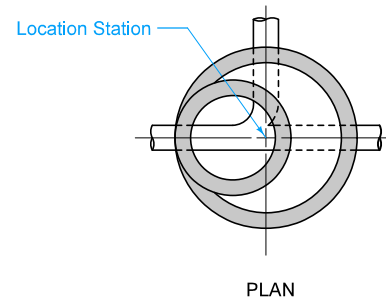
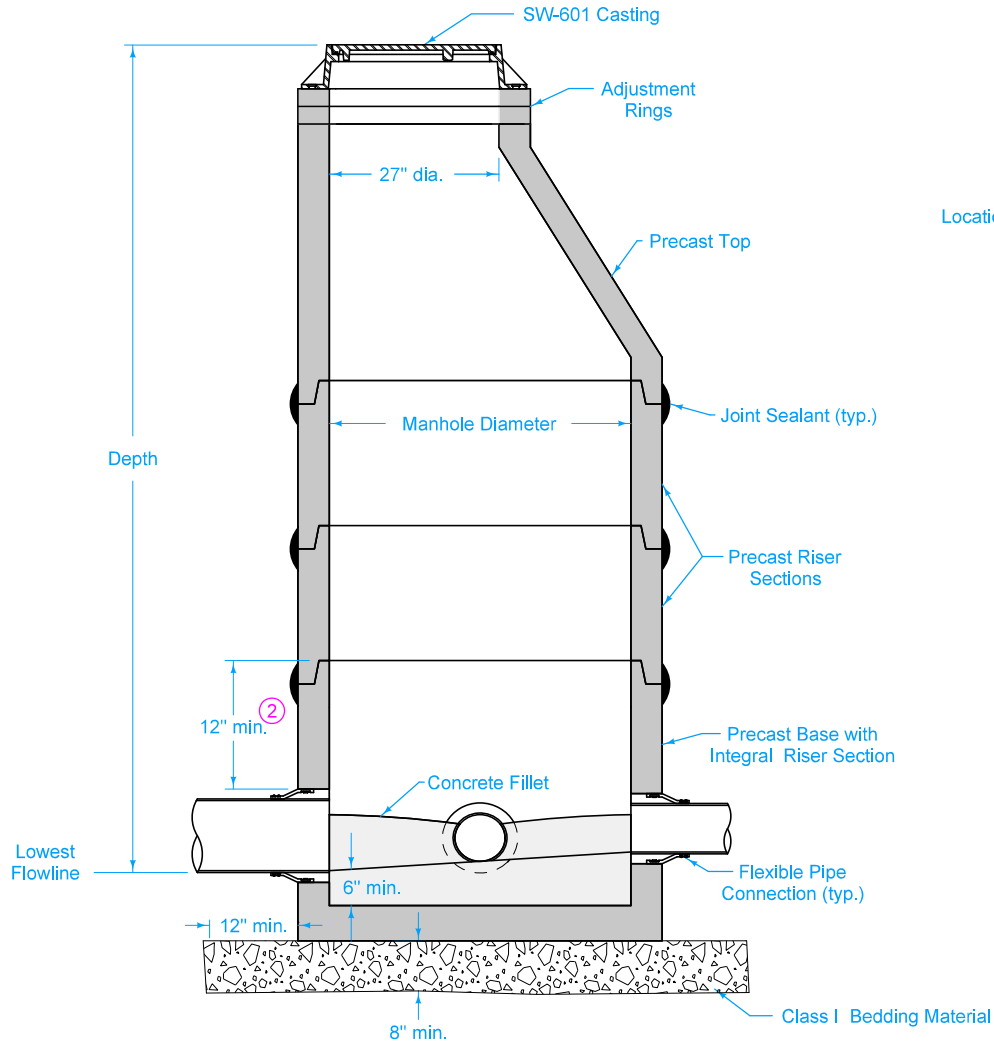


If manhole depth exceeds 20 feet, install steps.

Install infiltration barrier.

- ① For additional configurations, maintain a minimum of 12 inches of concrete between vertical edges of pipe openings.
- ② 12 inch minimum riser height above all pipe openings.



Manhole Diameter (inches)	Maximum Pipe Diameter (inches) for 2 Pipes ①	
	At 180° Separation	At 90° Separation
48	24	18
60	36	24
72	42	30
84	48	36
96	60	42

TYPICAL SECTION

		REVISION
		4 04-20-21
FIGURE 6010.301	STANDARD ROAD PLAN	SW-301
		SHEET 1 of 1

REVISIONS: Added manhole depth note and infiltration barrier note.

Paul D. Wigand
SUDAS DIRECTOR

Scott Miller
DESIGN METHODS ENGINEER

CIRCULAR SANITARY SEWER MANHOLE

FIGURE 6010.301 SHEET 1 OF 1