

① Insert shaping may be modified for insert widths less than 36 inches. For an 18 inch insert, reduce dimensions indicated by  $\frac{1}{4}$  inch.

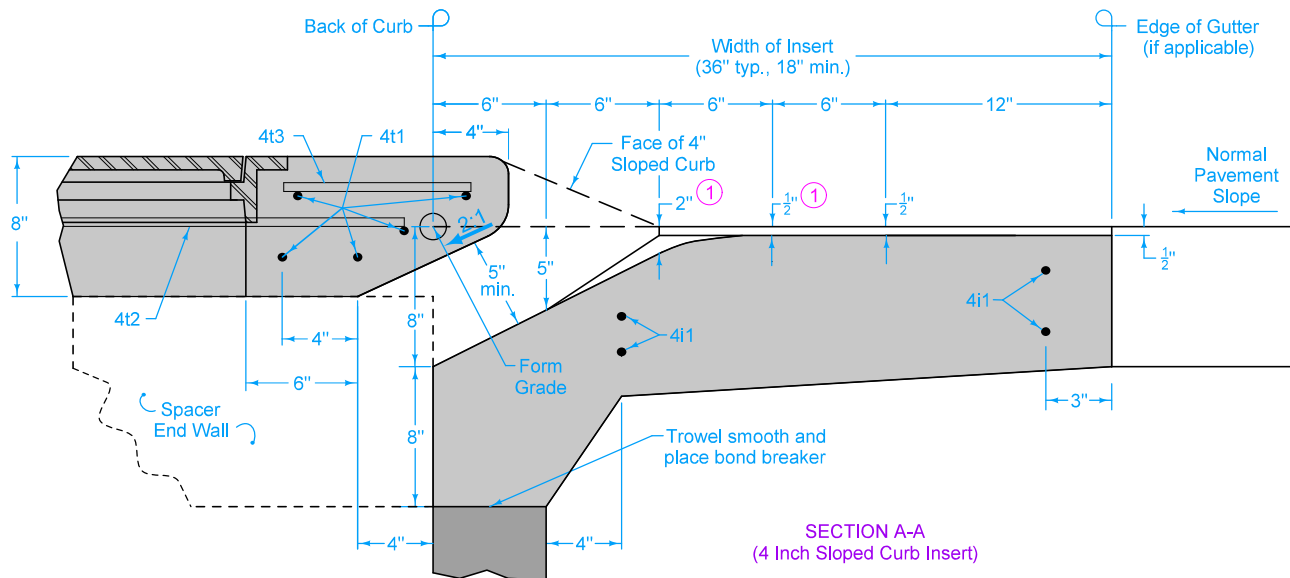
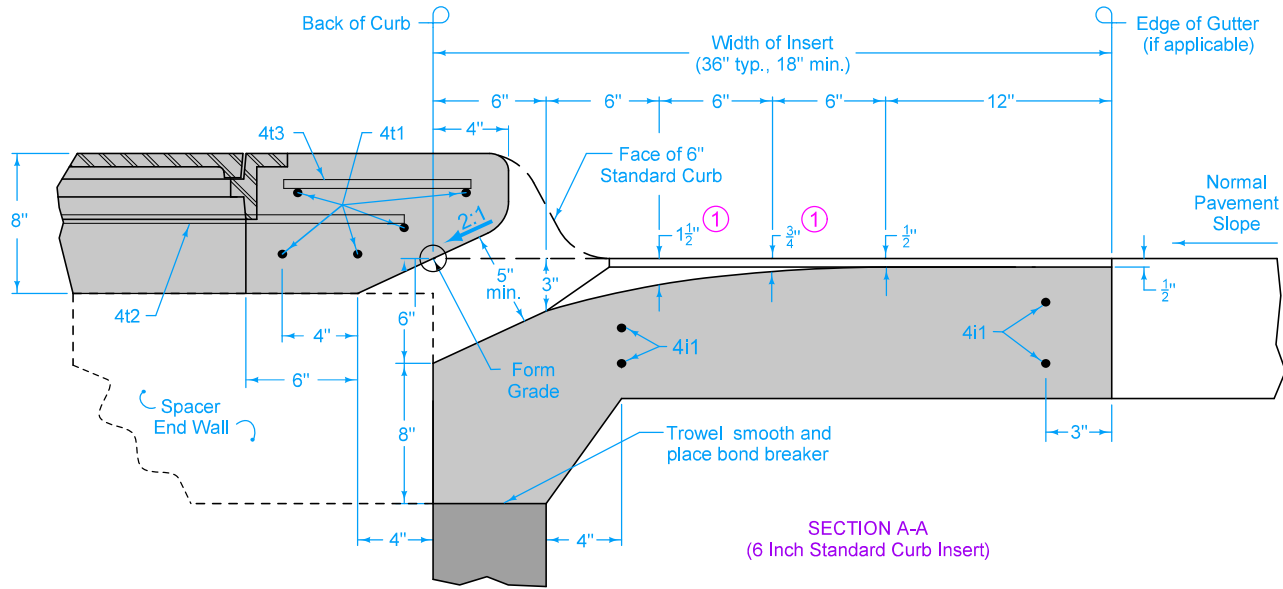
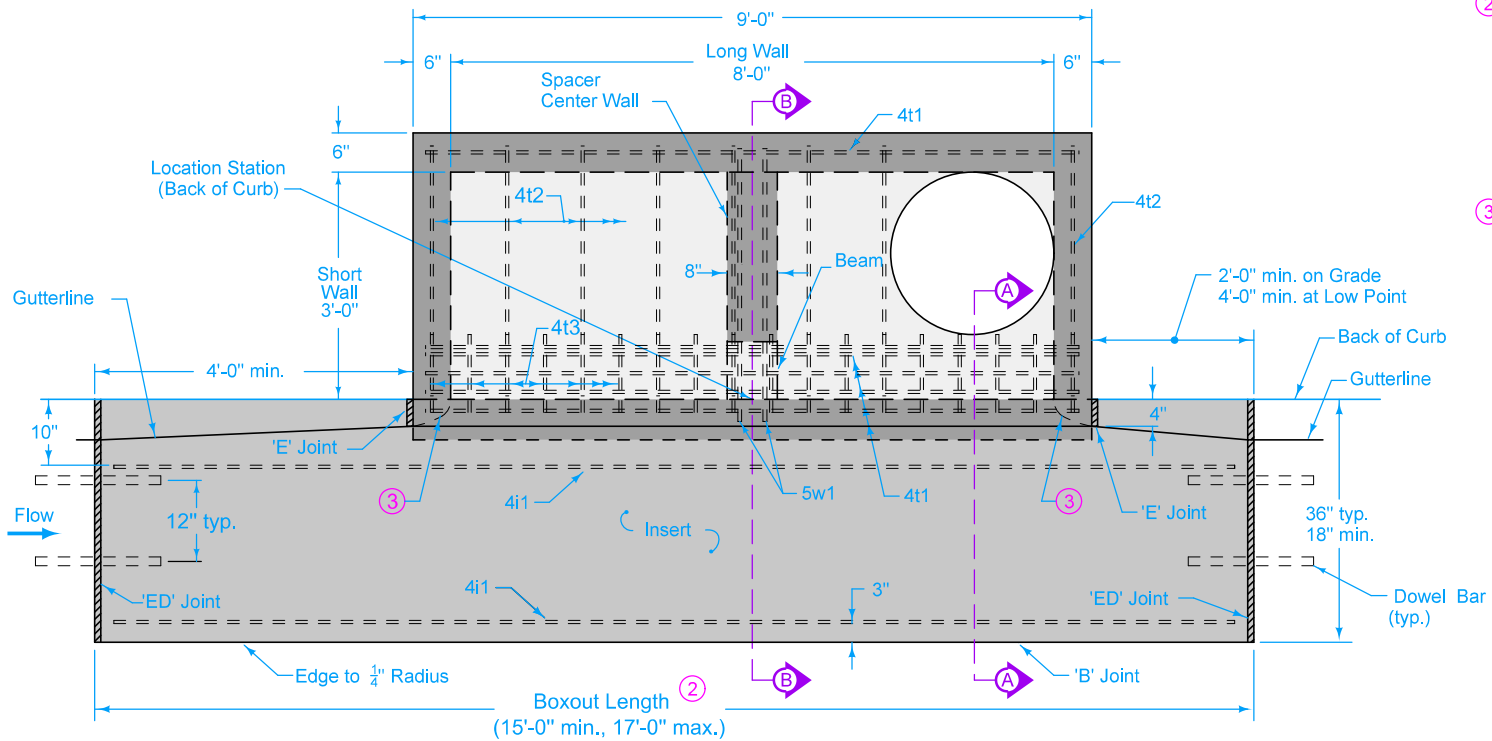


FIGURE 6010.509 SHEET 1 OF 3

SUDAS	IOWADOT	REVISION
		6   04-21-20
FIGURE 6010.509	STANDARD ROAD PLAN	<b>SW-509</b>
		SHEET 1 of 3
REVISIONS: Added Class 1 Bedding Material and changed maximum box out length to 17'.		
<i>Paul D. Wigand</i> SUDAS DIRECTOR		<i>Steve Nade</i> DESIGN METHODS ENGINEER
<b>DOUBLE OPEN-THROAT CURB INTAKE, SMALL BOX</b>		



PLAN

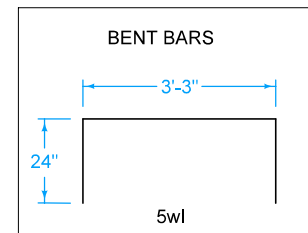
② Transverse joint spacing on new concrete pavement is controlled by the intake boxout. Adjust adjacent joint spacing as required to accommodate boxouts.

For retrofit intakes, match existing pavement joints. Stop any transverse pavement joints that do not conform to the minimum spacing requirements at the edge of the insert area.

③ Rounded shaping at inlet.

REINFORCING BAR LIST

Mark	Size	Location	Shape	Count	Length	Spacing
4b1	4	Base	—	9	3'-6"	12"
4b2	4	Base	—	5	8'-6"	10"
4i1	4	Insert	—	4	Boxout Length minus 8"	See Insert
4t1	4	Top	—	6	8'-6"	See Plan
4t2	4	Top	—	8	3'-6"	12"
4t3	4	Top	—	18	10"	6"
4w1	4	Walls	—	22	Wall Height minus 4"	13"
4w2	4	Long Walls	—	Varies	4'-8"	12"
4w3	4	Short Walls	—	Varies	3'-8"	12"
5w1	5	Beam	⌊	2	7'-3"	4"

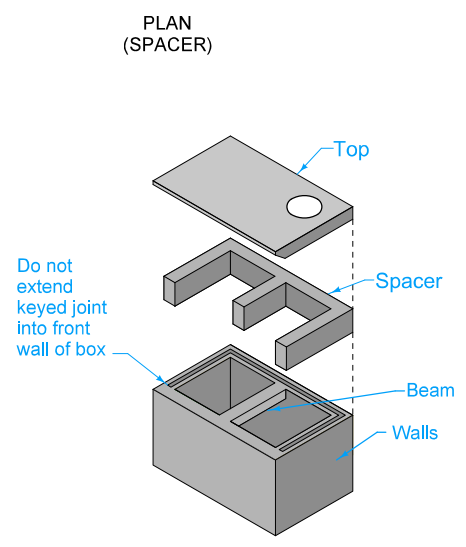
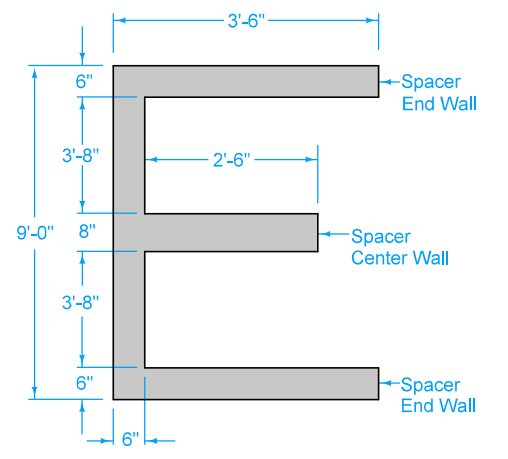
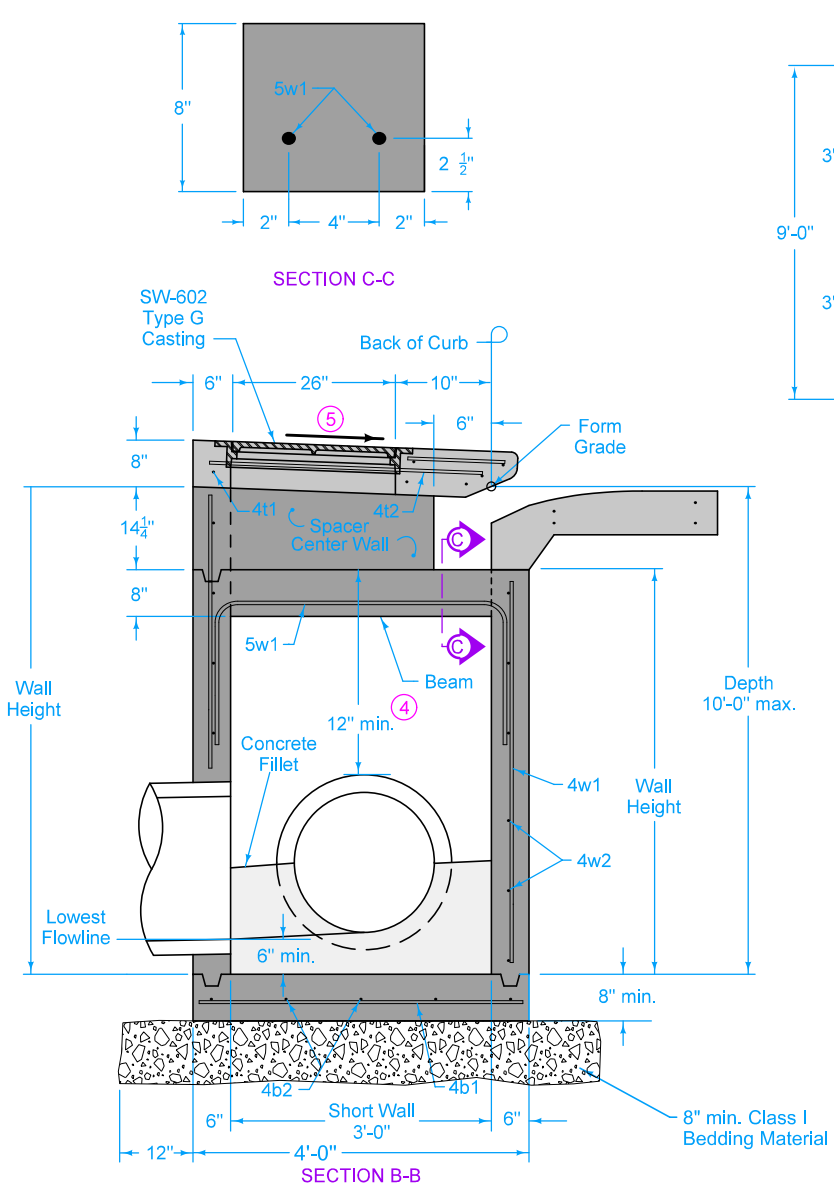


		REVISION
		6   04-21-20
FIGURE 6010.509	STANDARD ROAD PLAN	<b>SW-509</b>
SHEET 2 of 3		

REVISIONS: Added Class 1 Bedding Material and changed maximum box out length to 17'.

SUDAS DIRECTOR      DESIGN METHODS ENGINEER

**DOUBLE OPEN-THROAT CURB  
INTAKE, SMALL BOX**



ISOMETRIC  
(Refer to SECTION B-B for alignment of Top with Spacer)

- (4) 12 inch minimum wall height above all pipes.
- (5) Slope of 1.5% or as specified in the contract documents.

MAXIMUM PIPE DIAMETERS		
Pipe Location	Precast Structure	Cast-in-place Structure
Short Wall	24"	30"
Long Wall	60"	66"

FIGURE 6010.509 SHEET 3 OF 3

SUDAS	IOWADOT	REVISION
		6 04-21-20
FIGURE 6010.509	STANDARD ROAD PLAN	<b>SW-509</b>
		SHEET 3 of 3
REVISIONS: Added Class I Bedding Material and changed maximum box out length to 17'.		
Paul D. Weigand SUDAS DIRECTOR		Steve Miller DESIGN METHODS ENGINEER
<b>DOUBLE OPEN-THROAT CURB INTAKE, SMALL BOX</b>		