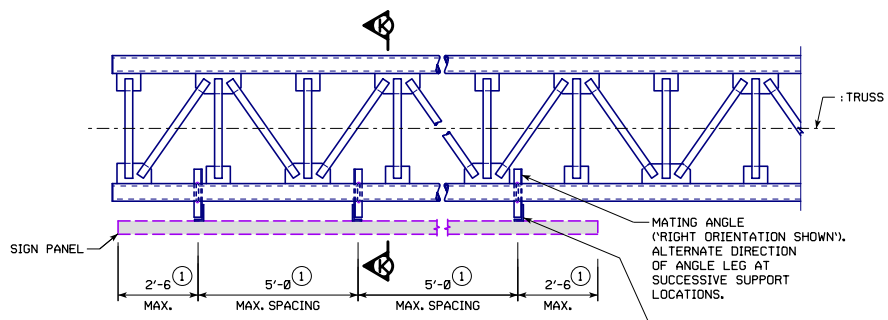
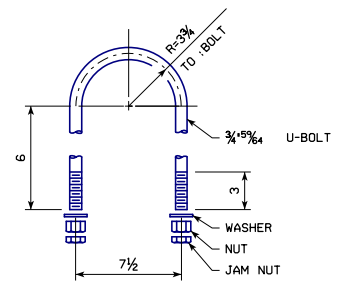


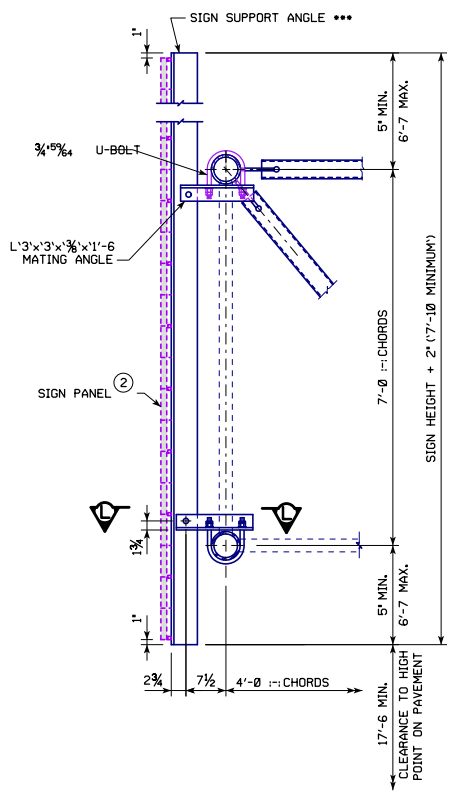
SECTION K-K AND SECTION L-L, ADDED ADDITIONAL DETAIL TO SECTION L-L, AND MODIFIED CALLOUTS TO CLARIFY THAT DIRECTION OF ANGLE LEG IS TO ALTERNATE AT SUCCESSIVE SUPPORTS FOR BOTH SIGN SUPPORT ANGLES AND MATING ANGLES. MOVED SECTION K-K CUT LINE IN PART SIGN TRUSS PLAN TO ACCURATELY REFLECT LOCATION OF ANGLE LEG AT SUCCESSIVE SUPPORTS. REVISED DEPICTION OF MATING ANGLES IN PART SIGN TRUSS PLAN TO ACCURATELY SHOW THAT DIRECTION OF ANGLE LEG ALTERNATES AT SUCCESSIVE SUPPORTS. REVISED DEPICTION OF U-BOLT CONNECTION FOR UNIFORMITY WITH DETAIL ON SCST-11 STANDARDS. FLIPPED ORIENTATION OF TOP-CHORD-TO-MATING-ANGLE U-BOLT CONNECTION FOR UNIFORMITY WITH DETAIL ON SCST-11 STANDARDS.



PART SIGN TRUSS PLAN



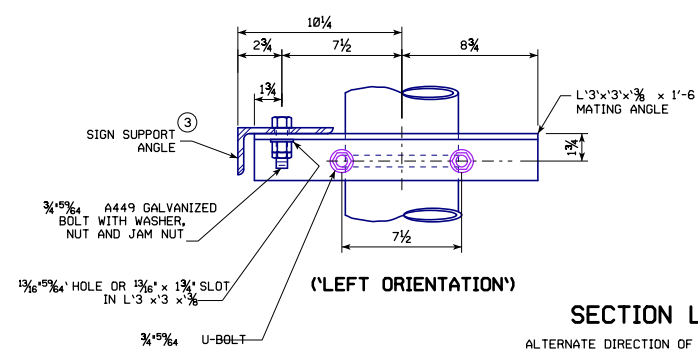
U-BOLT DETAIL



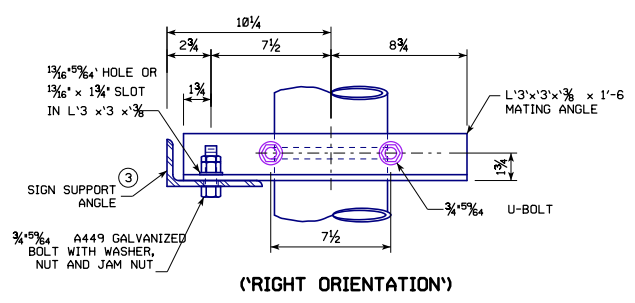
SECTION K-K

MATING ANGLE ('RIGHT ORIENTATION SHOWN'). ALTERNATE DIRECTION OF ANGLE LEG AT SUCCESSIVE SUPPORT LOCATIONS.

SIGN SUPPORT ANGLE ('RIGHT ORIENTATION SHOWN'). ALTERNATE DIRECTION OF ANGLE LEG AT SUCCESSIVE SUPPORT LOCATIONS.



(LEFT ORIENTATION)





(RIGHT ORIENTATION)

SECTION L-L

ALTERNATE DIRECTION OF SIGN SUPPORT ANGLE LEG AND MATING ANGLE LEG AT SUCCESSIVE SUPPORTS AS SHOWN IN PART SIGN TRUSS PLAN.

- ① DIMENSION RESTRICTIONS APPLY TO MAIN SIGN PANEL AND ANY SUPPLEMENTAL SIGN PANELS THAT MAY BE PRESENT.
- ② CENTER THE MAIN SIGN PANEL VERTICALLY ON THE TRUSS IF THE SUPPLEMENTARY SIGN PANEL LENGTH IS LESS THAN HALF THE LENGTH OF THE MAIN SIGN PANEL, OTHERWISE CENTER THE COMBINED HEIGHT OF THE MAIN SIGN PANEL AND SUPPLEMENTARY SIGN PANEL VERTICALLY ON THE TRUSS.
- ③ USE L'6"x'3 1/2"x'1/2" FOR SIGN HEIGHT OVER 10'-0" TO 20'-0" AND L'5"x'3"x'3/8" FOR SIGN HEIGHT OF 10'-0" OR LESS. A TOTAL SIGN HEIGHT GREATER THAN 20'-0" SIGN VERTICAL CANTILEVER LENGTH GREATER THAN 6'-7", AND/OR SIGN SUPPORT ANGLE HORIZONTAL SPACING GREATER THAN 5'-0" REQUIRES APPROVAL BY THE BRIDGES AND STRUCTURES BUREAU.

04-2020 LATEST REVISION DATE  APPROVED BY BRIDGE ENGINEER	 STANDARD DESIGN
	STEEL CANTILEVER SIGN TRUSS JULY, 2017
	SIGN ATTACHMENT DETAILS SCST-07-17