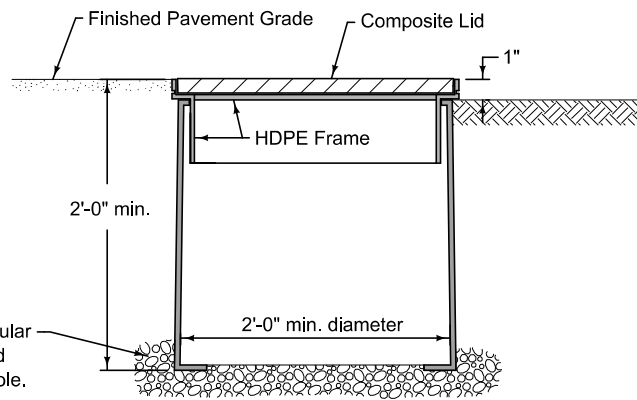


PRECAST CONCRETE HANDHOLE (TYPE I)

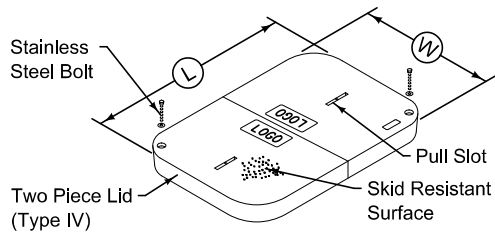
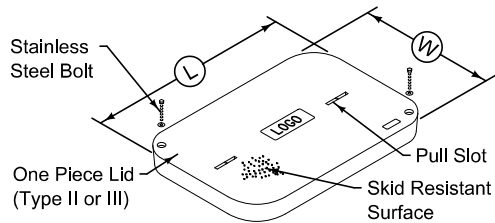


HDPE HANDHOLE (TYPE V)

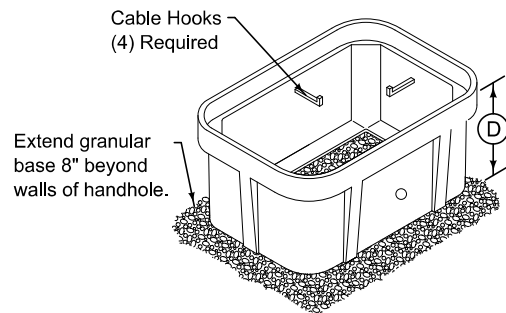
Extend 8" granular base 6" beyond walls of handhole.

FIGURE 8010.103 SHEET 1 OF 2

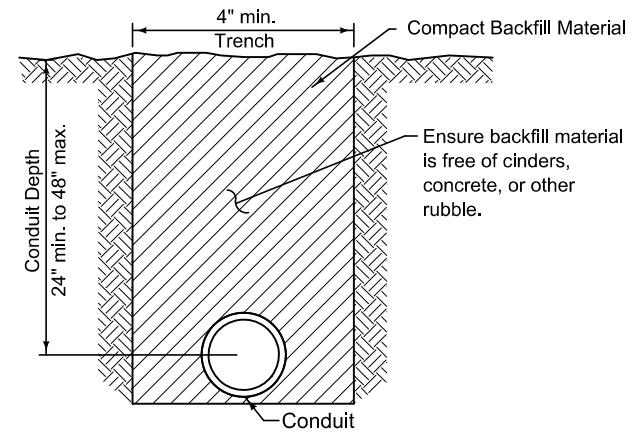
SUDAS	IOWADOT	REVISION
		1 04-20-21
FIGURE 8010.103	STANDARD ROAD PLAN	LI-103
		SHEET 1 of 2
REVISIONS: Added the HDPE handhole to the precast concrete and composite ones.		
<i>Paul D. Wigand</i> SUDAS DIRECTOR		<i>Shawn Miller</i> DESIGN METHODS ENGINEER
CONDUIT AND PRECAST HANDHOLES		



HANDHOLE DIMENSIONS TABLE (NOMINAL)			
TYPE	L	W	D
II	30"	17"	24"
III	36"	24"	30"
IV	48"	30"	36"



PRECAST CONCRETE COMPOSITE HANDHOLE



CONDUIT IN TRENCH

SUDAS	IOWADOT	REVISION
		1 04-20-21
FIGURE 8010.103	STANDARD ROAD PLAN	LI-103
		SHEET 2 of 2
REVISIONS: Added the HDPE handhole to the precast concrete and composite ones.		
<i>Paul D. Wigand</i> SUDAS DIRECTOR		<i>Stuart Nade</i> DESIGN METHODS ENGINEER
CONDUIT AND PRECAST HANDHOLES		