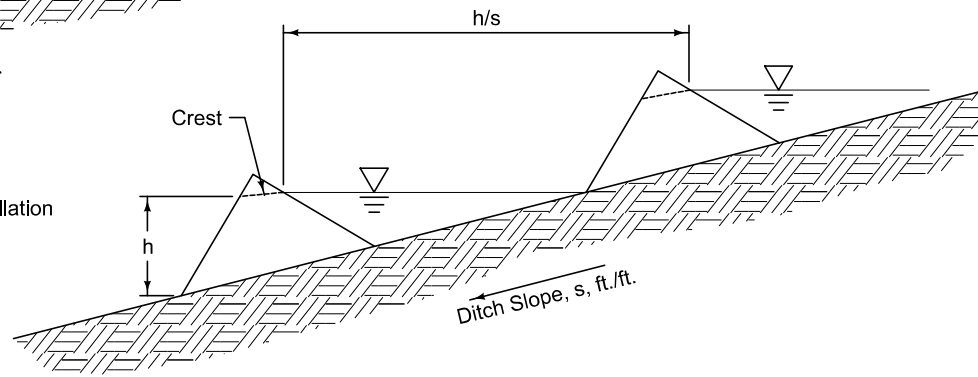
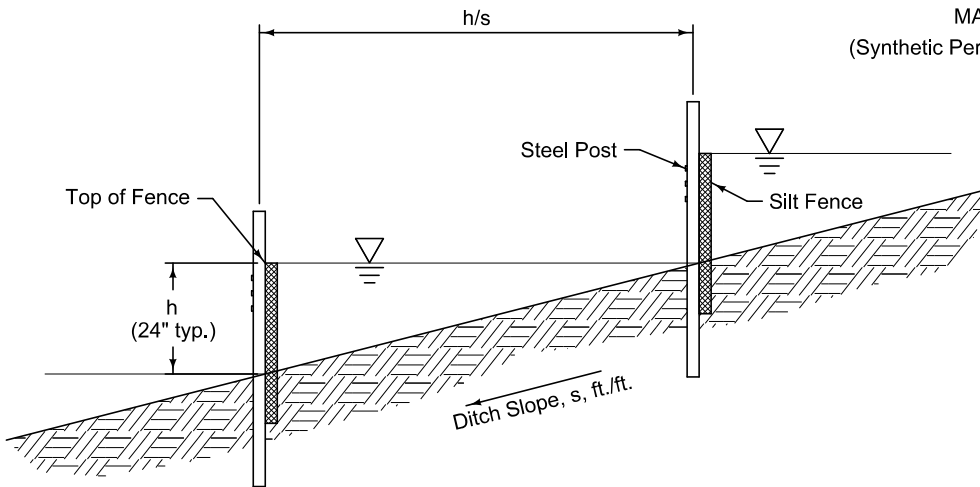


**ROCK CHECK DAM**  
 (See Figure 9040.107 for installation  
 of Rock Check Dams.)




**MANUFACTURED CHECK DAM**  
 (Synthetic Permeable and Triangular Foam Check Dam)



**SILT FENCE CHECK DAM (DITCH CHECK)**  
 (See Figure 9040.119 for installation  
 of Silt Fence Ditch Checks.)

FIGURE 9040.106 SHEET 1 OF 1

	REVISION 2   10-21-14
	<b>SUDAS</b>
	<b>9040.106</b> SHEET 1 of 1
SUDAS Standard Specifications	
CHECK DAM SPACING	