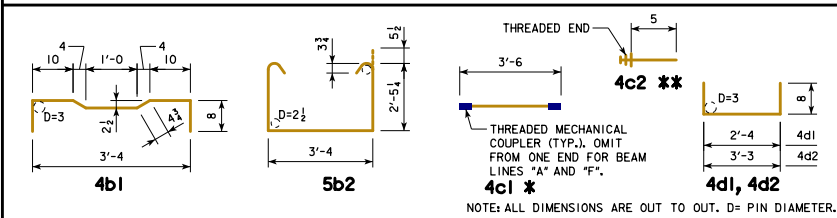


**EPOXY COATED REINFORCING BAR LIST**  
**33" x 48" x 50'-0 RCBB, 0° SKEW**

| BEAM LINE    |       | BEAM LINE "A" |          |        | BEAM LINES "B" AND "D" |          |        | BEAM LINES "C" AND "E" |          |        | BEAM LINE "F" |          |        |
|--------------|-------|---------------|----------|--------|------------------------|----------|--------|------------------------|----------|--------|---------------|----------|--------|
| BAR          | SHAPE | NO.           | LENGTH   | WEIGHT | NO.                    | LENGTH   | WEIGHT | NO.                    | LENGTH   | WEIGHT | NO.           | LENGTH   | WEIGHT |
| 4g1          |       | 6             | 50'-10   | 204    | 6                      | 50'-10   | 204    | 6                      | 50'-10   | 204    | 6             | 50'-10   | 204    |
| 4a2          |       | 1             | 49'-8    | 33     | 1                      | 49'-8    | 33     | 1                      | 49'-8    | 33     | 1             | 49'-8    | 33     |
| 10a3         |       | 8             | 50'-10   | 1750   | 8                      | 50'-10   | 1750   | 8                      | 50'-10   | 1750   | 8             | 50'-10   | 1750   |
| 10a4         |       | 1             | 49'-8    | 214    | 1                      | 49'-8    | 214    | 1                      | 49'-8    | 214    | 1             | 49'-8    | 214    |
| 4b1          |       | 75            | 4'-9 1/2 | 240    | 76                     | 4'-9 1/2 | 243    | 75                     | 4'-9 1/2 | 240    | 76            | 4'-9 1/2 | 243    |
| 5b2          |       | 59            | 9'-1 1/2 | 562    | 59                     | 9'-1 1/2 | 562    | 59                     | 9'-1 1/2 | 562    | 59            | 9'-1 1/2 | 562    |
| 4c1 *        |       | 76            | 3'-6     | 178    | 77                     | 3'-6     | 180    | 76                     | 3'-6     | 178    | 77            | 3'-6     | 180    |
| 4c2 **       |       | 76            | 0'-5     | 21     | 154                    | 0'-5     | 43     | 152                    | 0'-5     | 42     | 77            | 0'-5     | 21     |
| 4c3          |       | 2             | 3'-2     | 4      | -                      | -        | -      | 2                      | 3'-2     | 4      | -             | -        | -      |
| 4d1          |       | 8             | 3'-8     | 20     | 8                      | 3'-8     | 20     | 8                      | 3'-8     | 20     | 8             | 3'-8     | 20     |
| 4d2          |       | 6             | 4'-7     | 18     | 6                      | 4'-7     | 18     | 6                      | 4'-7     | 18     | 6             | 4'-7     | 18     |
| TOTAL (LBS.) |       | 3244          |          |        | 3267                   |          |        | 3265                   |          |        | 3245          |          |        |

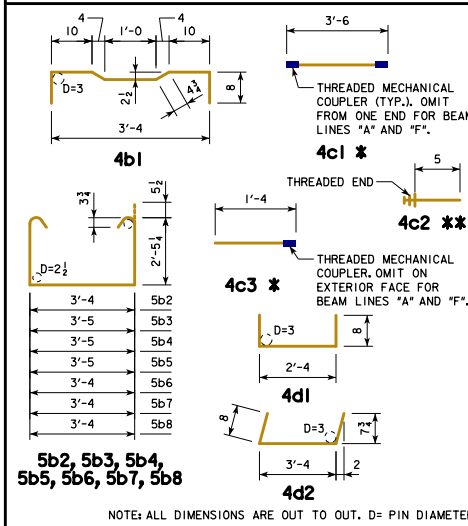
**BENT BAR DETAILS**



**EPOXY COATED REINFORCING BAR LIST**  
**33" x 48" x 50'-0 RCBB, 15° SKEW**

| BEAM LINE    |       | BEAM LINES "A" AND "F" |          |        | BEAM LINES "B", "C", "D", "E" |          |        |
|--------------|-------|------------------------|----------|--------|-------------------------------|----------|--------|
| BAR          | SHAPE | NO.                    | LENGTH   | WEIGHT | NO.                           | LENGTH   | WEIGHT |
| 4a1          |       | 6                      | 50'-10   | 204    | 6                             | 50'-10   | 204    |
| 4a2          |       | 1                      | 49'-8    | 33     | 1                             | 49'-8    | 33     |
| 10a3         |       | 8                      | 50'-10   | 1750   | 8                             | 50'-10   | 1750   |
| 10a4         |       | 1                      | 49'-8    | 214    | 1                             | 49'-8    | 214    |
| 4b1          |       | 74                     | 4'-9 1/2 | 237    | 74                            | 4'-9 1/2 | 237    |
| 5b2          |       | 47                     | 9'-1 1/2 | 447    | 47                            | 9'-1 1/2 | 447    |
| 5b3          |       | 2                      | 9'-2 1/2 | 19     | 2                             | 9'-2 1/2 | 19     |
| 5b4          |       | 2                      | 9'-2 1/2 | 19     | 2                             | 9'-2 1/2 | 19     |
| 5b5          |       | 2                      | 9'-2 1/2 | 19     | 2                             | 9'-2 1/2 | 19     |
| 5b6          |       | 2                      | 9'-1 1/2 | 19     | 2                             | 9'-1 1/2 | 19     |
| 5b7          |       | 2                      | 9'-1 1/2 | 19     | 2                             | 9'-1 1/2 | 19     |
| 5b8          |       | 4                      | 9'-1 1/2 | 38     | 4                             | 9'-1 1/2 | 38     |
| 4c1 *        |       | 75                     | 3'-6     | 175    | 75                            | 3'-6     | 175    |
| 4c2 **       |       | 76                     | 0'-5     | 21     | 152                           | 0'-5     | 42     |
| 4c3 *        |       | 2                      | 1'-4     | 2      | 2                             | 1'-4     | 2      |
| 4c4          |       | 4                      | 3'-4     | 9      | 4                             | 3'-4     | 9      |
| 4d1          |       | 8                      | 3'-8     | 20     | 8                             | 3'-8     | 20     |
| 4d2          |       | 6                      | 4'-8     | 19     | 6                             | 4'-8     | 19     |
| TOTAL (LBS.) |       | 3264                   |          |        | 3285                          |          |        |

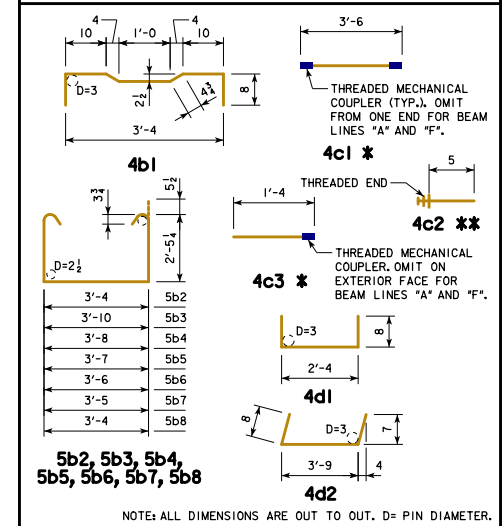
**BENT BAR DETAILS**



**EPOXY COATED REINFORCING BAR LIST**  
**33" x 48" x 50'-0 RCBB, 30° SKEW**

| BEAM LINE    |       | BEAM LINES "A" AND "F" |          |        | BEAM LINES "B", "C", "D", "E" |          |        |
|--------------|-------|------------------------|----------|--------|-------------------------------|----------|--------|
| BAR          | SHAPE | NO.                    | LENGTH   | WEIGHT | NO.                           | LENGTH   | WEIGHT |
| 4a1          |       | 6                      | 50'-10   | 204    | 6                             | 50'-10   | 204    |
| 4a2          |       | 1                      | 49'-8    | 33     | 1                             | 49'-8    | 33     |
| 10a3         |       | 8                      | 50'-10   | 1750   | 8                             | 50'-10   | 1750   |
| 10a4         |       | 1                      | 49'-8    | 214    | 1                             | 49'-8    | 214    |
| 4b1          |       | 71                     | 4'-9 1/2 | 227    | 71                            | 4'-9 1/2 | 227    |
| 5b2          |       | 47                     | 9'-1 1/2 | 447    | 47                            | 9'-1 1/2 | 447    |
| 5b3          |       | 2                      | 9'-7 1/2 | 20     | 2                             | 9'-7 1/2 | 20     |
| 5b4          |       | 2                      | 9'-5 1/2 | 20     | 2                             | 9'-5 1/2 | 20     |
| 5b5          |       | 2                      | 9'-4 1/2 | 20     | 2                             | 9'-4 1/2 | 20     |
| 5b6          |       | 2                      | 9'-3 1/2 | 19     | 2                             | 9'-3 1/2 | 19     |
| 5b7          |       | 2                      | 9'-2 1/2 | 19     | 2                             | 9'-2 1/2 | 19     |
| 5b8          |       | 4                      | 9'-1 1/2 | 38     | 4                             | 9'-1 1/2 | 38     |
| 4c1 *        |       | 72                     | 3'-6     | 168    | 72                            | 3'-6     | 168    |
| 4c2 **       |       | 75                     | 0'-5     | 21     | 150                           | 0'-5     | 42     |
| 4c3 *        |       | 6                      | 1'-4     | 5      | 6                             | 1'-4     | 5      |
| 4c4          |       | 4                      | 3'-8     | 10     | 4                             | 3'-8     | 10     |
| 4d1          |       | 8                      | 3'-8     | 20     | 8                             | 3'-8     | 20     |
| 4d2          |       | 6                      | 5'-1     | 20     | 6                             | 5'-1     | 20     |
| TOTAL (LBS.) |       | 3255                   |          |        | 3276                          |          |        |

**BENT BAR DETAILS**



NOTES:  
 \* INCLUDES MECHANICAL COUPLER(S). SEE BENT BAR DETAILS.  
 \*\* SEE BENT BAR DETAILS. THE LENGTHS SHOWN DO NOT INCLUDE AN ALLOWANCE FOR THE THREADED END. BAR LENGTHS MAY NEED TO INCREASE DEPENDING ON THE MECHANICAL COUPLER ASSEMBLY USED. THE COST OF THE THREADED PORTION OF THESE BARS IS TO BE INCLUDED IN THE PRICE BID FOR THE BEAMS. THE WEIGHT OF THE THREADED END IS NOT INCLUDED IN THE QUANTITY SHOWN.

|                      |  |  |                  |
|----------------------|--|--|------------------|
| LATEST REVISION DATE | Approved by<br><br>APPROVED BY BRIDGE ENGINEER | <br>STANDARD DESIGN - 24'-0 ROADWAY, SINGLE SPAN<br><b>CONCRETE BOX BEAM BRIDGES</b> |                  |
|                      |  | DECEMBER, 2016   |                  |
|                      |  | <b>33" x 48" x 50'-0 RCBB DETAILS</b><br><b>REINFORCING BAR LIST</b>                 | <b>B24-62-16</b> |
|                      |  |  |                  |