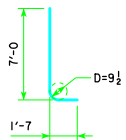


TYPICAL SECTION



d2

NOTE: D = PIN DIAMETER.
DIMENSIONS ARE OUT TO OUT.

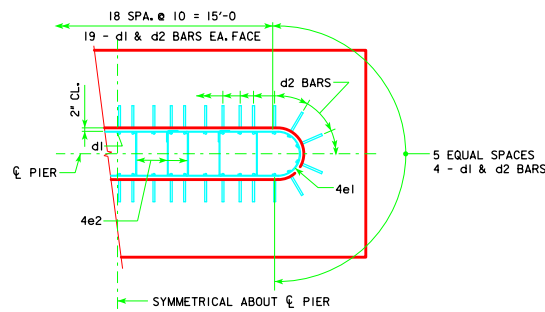
NOTE: THE REINFORCING STEEL QUANTITY IS TO BE INCLUDED ON THE SUMMARY QUANTITIES SHEET IN THE PLAN.

NOTE: THE CONCRETE QUANTITY IS TO BE INCLUDED ON THE SUMMARY QUANTITIES SHEET IN THE PLAN.

NOTE: THE PILE TYPE IS TO BE INCLUDED ON THE SUMMARY QUANTITIES SHEET IN THE PLAN.

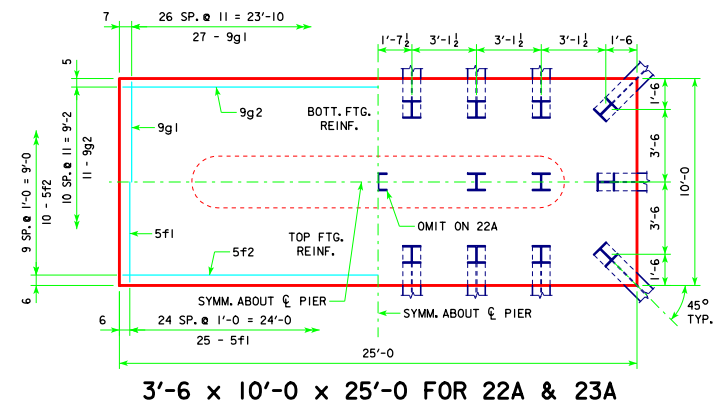
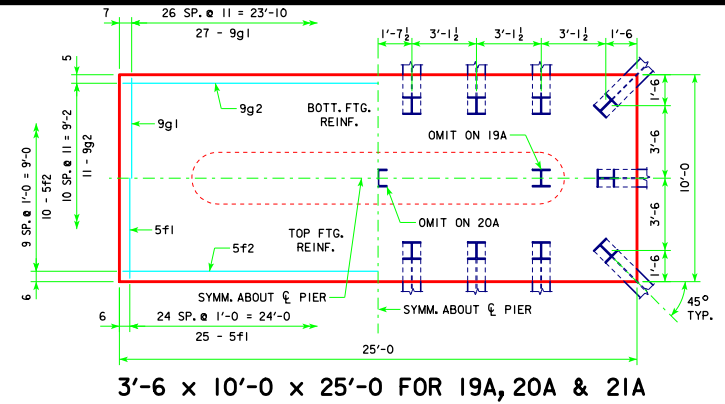
H IN FT.	CL. - CL. ABUT. BRG.	PILING (HP10x57)		FOOTING SIZE
		NO. & LAYOUT	① LRFD PU, STRENGTH I DES. LOAD (KIPS)	
18 TO 16	201'-4	19A	146	3'-6 x 10' x 25'
	213'-10	20A	142	
	226'-4	21A	144	
	243'-0	22A	145	
16 TO 21	201'-4	20A	140	3'-6 x 10' x 25'
	213'-10	20A	145	
	226'-4	22A	142	
	243'-0	23A	143	
21 TO 24	201'-4	20A	143	3'-6 x 10' x 25'
	213'-10	21A	144	
	226'-4	22A	144	
	243'-0	23A	146	

FOOTING SIZE	REINFORCING STEEL (ONE FOOTING)				TOTAL WEIGHT (L.B.)	STRUCTURAL CONCRETE (CY)
	BAR NO., SIZE & SPACING	LENGTH	WEIGHT (L.B.)			
3'-6 x 10' x 25'	d2 46 - #9 AS SHOWN	8'-7	1342		3661	32.4
	f1 25 - #5 @ 1'-0	9'-8	252			
	f2 10 - #5 @ 1'-0	24'-8	257			
	g1 27 - #9 @ 0'-11	9'-8	887			
	g2 11 - #9 @ 0'-11	24'-8	923			



d2 BAR LAYOUT
(SEE SECTION A-A ON SHEET H40-65-14.)

① NOTE: PU, STRENGTH I DESIGN LOAD (KIPS) IS NOT THE VALUE USED IN THE FIELD FOR DRIVING PILES.



FOOTING NOTES:

THESE FOOTINGS ARE DESIGNED AND DETAILED TO BE USED WITH THE CAP AND COLUMN DETAILS OF THE TEE PIERS AS SHOWN ON SHEET H40-65-14.

BATTER PILES IN EXTERIOR ROWS 1/4 IN THE DIRECTION SHOWN.

STEEL PILING USED AS POINT BEARING SHALL HAVE A MINIMUM DISTANCE OF APPROXIMATELY 10 FEET FROM BOTTOM OF FOOTING TO TOP OF BEARING ROCK. THE PILE LAYOUTS ARE SUCH THAT THE DISTANCE CENTER TO CENTER OF ADJACENT PILING SHALL NOT EXCEED 8'-0.

PIER PILES SHALL BE DRIVEN TO VALUES SHOWN IN DESIGN PLANS.

LATEST REVISION DATE	<i>Thomas E. Mc Donnell</i> APPROVED BY BRIDGE ENGINEER	IOWADOT Highway Division	STANDARD DESIGN - 40' ROADWAY, THREE SPAN BRIDGE
			PRETENSIONED PRESTRESSED CONCRETE BEAM BRIDGES
		SEPTEMBER, 2014	
		TEE PIER-HP10x57 SRL-1 STEEL PILE FOOTINGS	H40-67-14
		15° SKEW - H=16' TO 24'	