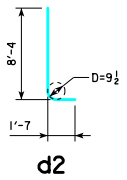
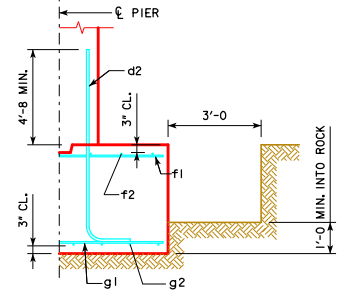
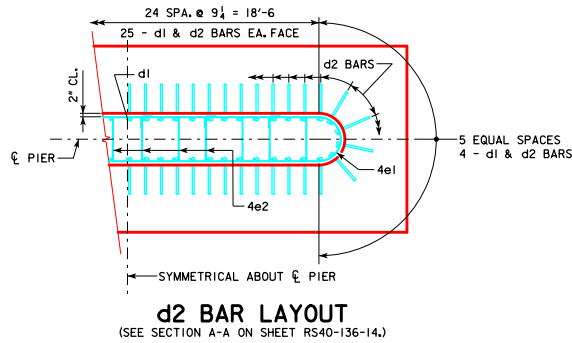


REVISED 02-2017 - CHANGED VERTICAL CLEARANCE OF REBAR "f2" TO TOP OF PIER FOOTING TO 3" WAS 2".

H IN FT.	℄ - ℄ ABUT. BRG.	FOOTING SIZE
16 TO 18	160'-0	4' x 8' x 27'
	180'-0	4' x 8' x 27'
	200'-0	4' x 9' x 27'
	220'-0	4' x 9' x 27'
	240'-0	4' x 9' x 29'
	260'-0	4' x 10' x 29'
19 TO 21	280'-0	4' x 10' x 29'
	300'-0	4' x 10' x 31'
	320'-0	4' x 10' x 31'
	340'-0	4' x 11' x 31'
	160'-0	4' x 8' x 27'
	180'-0	4' x 8' x 27'
200'-0	4' x 9' x 27'	
220'-0	4' x 9' x 27'	
240'-0	4' x 9' x 29'	
260'-0	4' x 10' x 29'	
280'-0	4' x 10' x 29'	
300'-0	4' x 10' x 31'	
320'-0	4' x 11' x 31'	
340'-0	4' x 11' x 31'	
22 TO 24	160'-0	4' x 8' x 27'
	180'-0	4' x 8' x 27'
	200'-0	4' x 9' x 27'
	220'-0	4' x 9' x 27'
	240'-0	4' x 9' x 29'
	260'-0	4' x 10' x 29'
280'-0	4' x 10' x 29'	
300'-0	4' x 10' x 31'	
320'-0	4' x 11' x 31'	
340'-0	4' x 11' x 31'	
25 TO 27	160'-0	4' x 8' x 27'
	180'-0	4' x 8' x 27'
	200'-0	4' x 9' x 27'
	220'-0	4' x 9' x 27'
	240'-0	4' x 9' x 29'
	260'-0	4' x 10' x 29'
280'-0	4' x 10' x 29'	
300'-0	4' x 10' x 31'	
320'-0	4' x 11' x 31'	
340'-0	4' x 11' x 31'	
28 TO 30	160'-0	4' x 8' x 27'
	180'-0	4' x 8' x 27'
	200'-0	4' x 9' x 27'
	220'-0	4' x 9' x 27'
	240'-0	4' x 9' x 29'
	260'-0	4' x 10' x 29'
280'-0	4' x 10' x 29'	
300'-0	4' x 10' x 31'	
320'-0	4' x 11' x 31'	
340'-0	4' x 11' x 31'	
31 TO 33	160'-0	4' x 8' x 27'
	180'-0	4' x 8' x 27'
	200'-0	4' x 9' x 27'
	220'-0	4' x 9' x 27'
	240'-0	4' x 9' x 29'
	260'-0	4' x 10' x 29'
280'-0	4' x 10' x 29'	
300'-0	4' x 10' x 31'	
320'-0	4' x 11' x 31'	
340'-0	4' x 11' x 31'	
34 TO 36	160'-0	4' x 8' x 27'
	180'-0	4' x 8' x 27'
	200'-0	4' x 9' x 27'
	220'-0	4' x 9' x 27'
	240'-0	4' x 9' x 29'
	260'-0	4' x 10' x 29'
280'-0	4' x 10' x 29'	
300'-0	4' x 10' x 31'	
320'-0	4' x 11' x 31'	
340'-0	4' x 11' x 31'	

H IN FT.	℄ - ℄ ABUT. BRG.	FOOTING SIZE
37 TO 40	160'-0	4' x 9' x 27'
	180'-0	4' x 9' x 29'
	200'-0	4' x 9' x 29'
	220'-0	4' x 10' x 29'
	240'-0	4' x 10' x 29'
	260'-0	4' x 10' x 31'
280'-0	4' x 10' x 31'	
300'-0	4' x 11' x 31'	
320'-0	4' x 11' x 31'	
340'-0	4' x 11' x 33'	

FOOTING SIZE	REINFORCING STEEL (ONE FOOTING)				TOTAL WEIGHT (LB.)	STRUCTURAL CONCRETE (CY)
	BAR NO., SIZE & SPACING	LENGTH	WEIGHT (LB.)			
4' x 8' x 27'	d2 58 - #9 AS SHOWN	9'-11"	1956	3107	32.0	
	f1 27 - #5 @ 1'-0"	7'-8"	216			
	f2 8 - #5 @ 1'-0"	26'-8"	223			
	g1 27 - #6 @ 1'-0"	7'-8"	311			
	g2 10 - #6 @ 0'-10"	26'-8"	401			
	g2 9 - #7 @ 1'-0"	26'-8"	491			
4' x 9' x 27'	d2 58 - #9 AS SHOWN	9'-11"	1956	3345	36.0	
	f1 27 - #5 @ 1'-0"	8'-8"	244			
	f2 9 - #5 @ 1'-0"	26'-8"	250			
	g1 31 - #6 @ 0'-10 1/2"	8'-8"	404			
	g2 9 - #7 @ 1'-0"	26'-8"	491			
	g2 58 - #9 AS SHOWN	9'-11"	1956			
4' x 9' x 29'	f1 29 - #5 @ 1'-0"	8'-8"	262	3785	38.7	
	f2 9 - #5 @ 1'-0"	28'-8"	269			
	g1 35 - #6 @ 0'-10"	8'-8"	456			
	g2 11 - #8 @ 0'-10"	28'-8"	842			
	d2 58 - #9 AS SHOWN	9'-11"	1956			
	f1 29 - #5 @ 1'-0"	9'-8"	292			
4' x 10' x 29'	f2 10 - #5 @ 1'-0"	28'-8"	299	4137	43.0	
	g1 34 - #7 @ 0'-10"	9'-8"	672			
	g2 12 - #8 @ 0'-10"	28'-8"	918			
	d2 58 - #9 AS SHOWN	9'-11"	1956			
	f1 31 - #5 @ 1'-0"	10'-8"	313			
	f2 10 - #5 @ 1'-0"	30'-8"	320			
4' x 10' x 31'	g1 37 - #7 @ 0'-10"	9'-8"	731	4794	45.9	
	g2 18 - #8 @ 0'-6 1/2"	30'-8"	1474			
	d2 58 - #9 AS SHOWN	9'-11"	1956			
	f1 31 - #5 @ 1'-0"	10'-8"	345			
	f2 11 - #5 @ 1'-0"	30'-8"	352			
	g1 37 - #8 @ 0'-10"	10'-8"	1054			
4' x 11' x 31'	g2 15 - #9 @ 0'-9"	30'-8"	1564	5271	50.5	
	d2 58 - #9 AS SHOWN	9'-11"	1956			
	f1 33 - #5 @ 1'-0"	10'-8"	367			
	f2 11 - #5 @ 1'-0"	32'-8"	375			
	g1 40 - #8 @ 0'-10"	10'-8"	1139			
	g2 15 - #10 @ 0'-9"	32'-8"	2108			
4' x 11' x 33'	d2 58 - #9 AS SHOWN	9'-11"	1956	5945	53.8	
	f1 33 - #5 @ 1'-0"	10'-8"	367			
	f2 11 - #5 @ 1'-0"	32'-8"	375			
	g1 40 - #8 @ 0'-10"	10'-8"	1139			
	g2 15 - #10 @ 0'-9"	32'-8"	2108			



NOTE: D = PIN DIAMETER.
DIMENSIONS ARE OUT TO OUT.

NOTE: THE REINFORCING STEEL QUANTITY IS TO BE INCLUDED ON THE SUMMARY QUANTITIES SHEET IN THE PLAN.
NOTE: THE CONCRETE QUANTITY IS TO BE INCLUDED ON THE SUMMARY QUANTITIES SHEET IN THE PLAN.

FOOTING NOTES:

THESE SPREAD FOOTINGS ARE DESIGNED AND DETAILED TO BE USED WITH THE CAP AND COLUMN DETAILS OF THE TEE PIERS AS SHOWN ON SHEET RS40-136-14.
THESE SPREAD FOOTINGS SHALL EXTEND AT LEAST 12 INCHES INTO SUITABLE FOUNDATION ROCK AND THE LAST 12 INCHES OF ROCK EXCAVATION SHALL BE TO NEAT LINES OF MASONRY. THE FOUNDATION ROCK SHALL HAVE A MINIMUM LRFD NOMINAL BEARING RESISTANCE OF 30 KIPS PER SQUARE FOOT (ALLOWABLE BEARING VALUE OF AT LEAST 10 KIPS PER SQUARE FOOT).

02-2017 LATEST REVISION DATE <i>Thomas E. McQuinn</i> APPROVED BY BRIDGE ENGINEER	STANDARD DESIGN - 40' ROADWAY, 3 SPAN BRIDGES ROLLED STEEL BEAM BRIDGES OCTOBER, 2014	
	TEE PIER - SPREAD FOOTINGS 20° SKEW - SHEET 1	RS40-144-14