

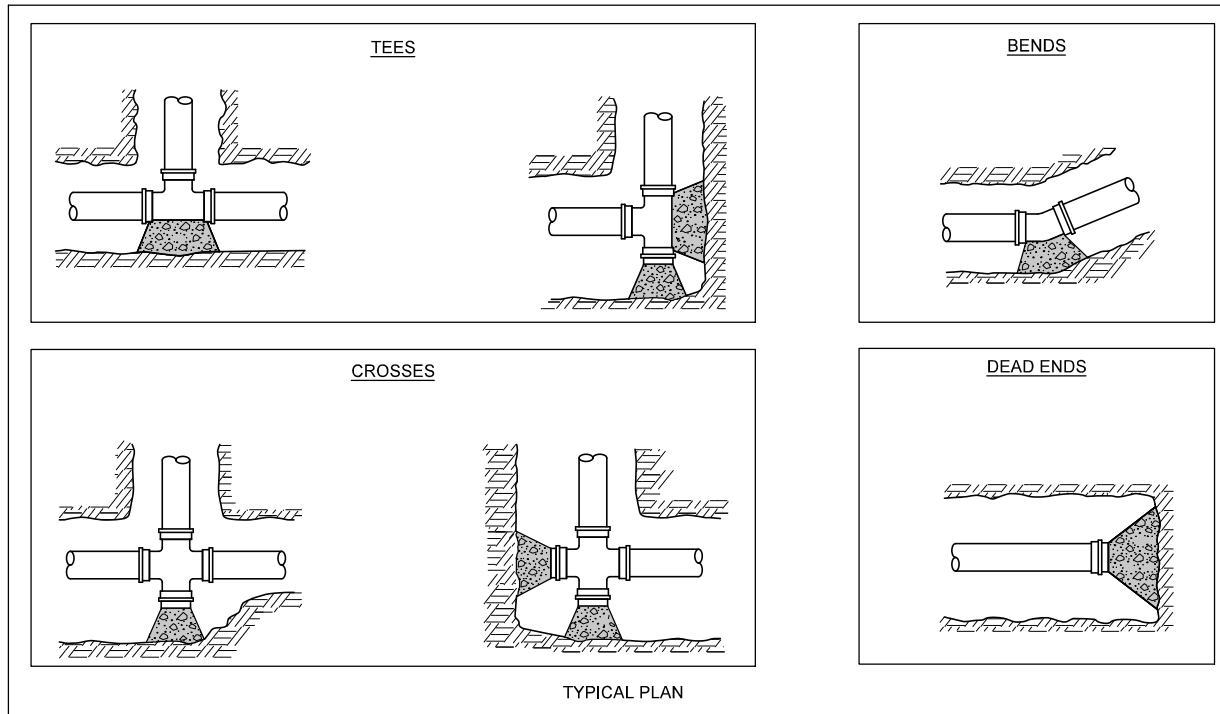
Extend thrust blocks to undisturbed soil. Excavation into trench wall may be necessary.

Form vertical surfaces of poured concrete thrust blocks except on bearing surface.

Encase all fittings in polyethylene wrap. Do not allow concrete to directly contact joints or fitting bolts.

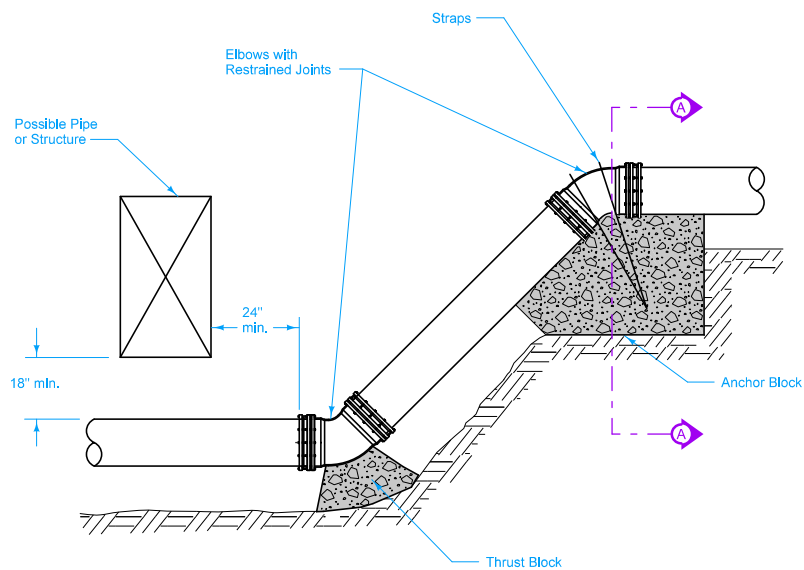
Diameter of Pipe, D (inches)	MINIMUM BEARING SURFACE (sf)				
	Bends				Tees and Dead Ends
	11 $\frac{1}{4}$ <sup>o</sup>	22 $\frac{1}{2}$ <sup>o</sup>	45 <sup>o</sup>	90 <sup>o</sup>	
4	1	1	2	4	3
6	1	2	4	8	6
8	2	4	7	14	10
10	3	6	11	21	15
12	4	8	16	29	21
14	5	11	21	39	28
16	7	14	27	50	36
18	9	17	34	63	45
20	11	21	42	78	55
24	15	31	60	111	78
30	24	47	92	171	120
36	34	67	132	244	173

Minimum surface area based on water pressure of 150 psf and allowable soil pressure of 1,000 psf.

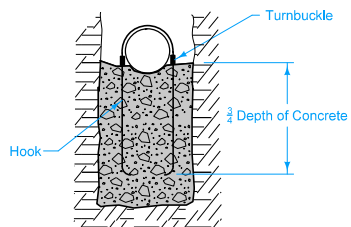


		REVISION
		1 10-18-16
FIGURE 5010.101	STANDARD ROAD PLAN	<b>WM-101</b>
		SHEET 1 of 2
<small>REVISIONS: Replaced Iowa DOT and SUDAS logos with new logos.</small>		
 <small>SUDAS DIRECTOR</small>		 <small>DESIGN METHODS ENGINEER</small>
<b>THRUST BLOCKS</b>		

**CHANGES IN PIPE DEPTH**



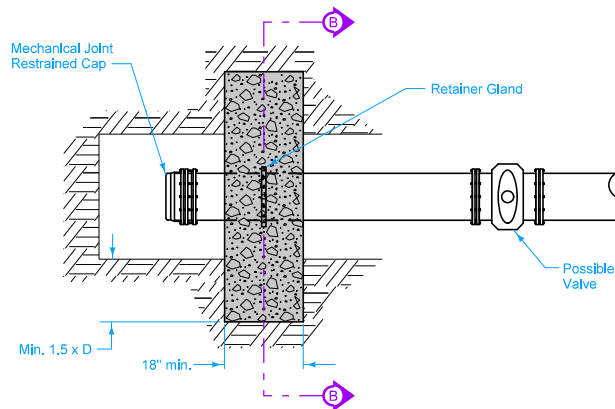
**ELEVATION**



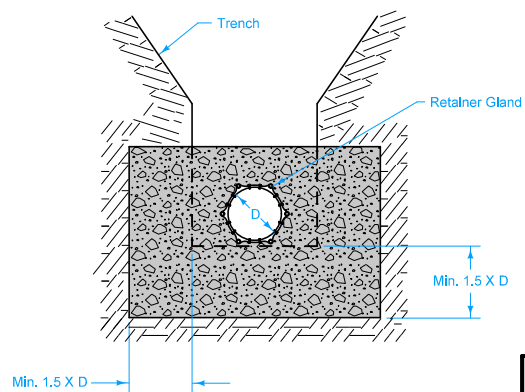
**SECTION A-A**

**DEAD ENDS (ALTERNATE METHOD)**

Use only when allowed by the Engineer, or when specified in the contract documents.



**PLAN**



**SECTION B-B**

		REVISION
		1   10-18-16
FIGURE 5010.101	STANDARD ROAD PLAN	<b>WM-101</b>
		SHEET 2 of 2

REVISIONS: Replaced Iowa DOT and SUDAS logos with new logos.

*Paul D. Wigand* SUDAS DIRECTOR      *Brian Smith* DESIGN METHODS ENGINEER

**THRUST BLOCKS**