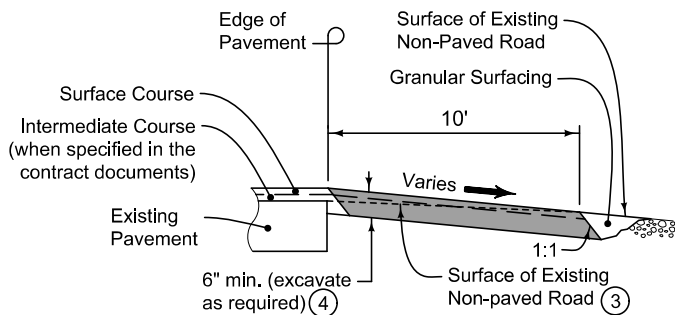


TYPICAL PLAN FOR FILLET AT ENTRANCE OR INTERSECTING ROAD

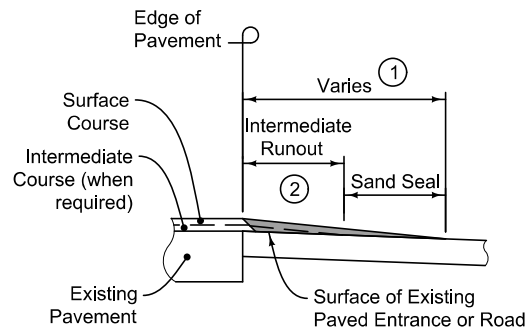
For temporary runouts and wedges, place subgrade paper, burlap, or similar material over adjacent surfaces to facilitate removal. Construct temporary runout at a length of 10 feet for each 1 inch of resurfacing thickness.

Construct wedge shaped asphalt fillets at all paved entrances and paved roads. Construct full thickness fillets at all non-paved entrances and non-paved roads.

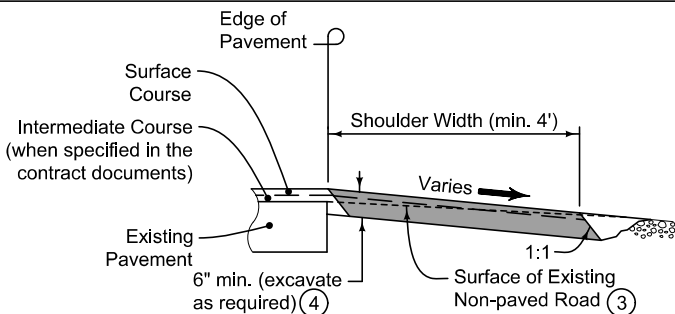
- ① Width of fillet is 4 feet for each inch of overlay thickness.
- ② The runout length of the intermediate course is equal to the total runout length, multiplied by the intermediate course thickness, divided by the total resurfacing thickness.
- ③ Excavate and shape road or entrance as required to accommodate proposed fillet.
- ④ For existing fillets at non-paved roads and entrances, construct a wedge shaped fillet matching the thickness of the resurfacing.
- ⑤ Match width and shape of existing pavement.



SECTION A-A
(Full Thickness Fillet - Non-paved Road)



SECTION A-A
(Wedge Shaped Fillet - Paved Entrance or Road)



SECTION A-A
(Full Thickness Fillet - Non-paved Entrance)

MINIMUM FILLET WIDTH		
TYPE OF ACCESS	PRIMARY ROADS	SECONDARY AND LOCAL ROADS
	③ ft.	③ ft.
Residential Entrance	40	12
Farm Entrance	60	18
Commercial Entrance	80	24
Non-paved Road	100	30
Paved Road	Variable ⑤	Variable ⑤

	REVISION
	1 2022 Edition
	7020.903
SHEET 1 of 1	

SUDAS Standard Specifications

DETAILS FOR ASPHALT PAVING