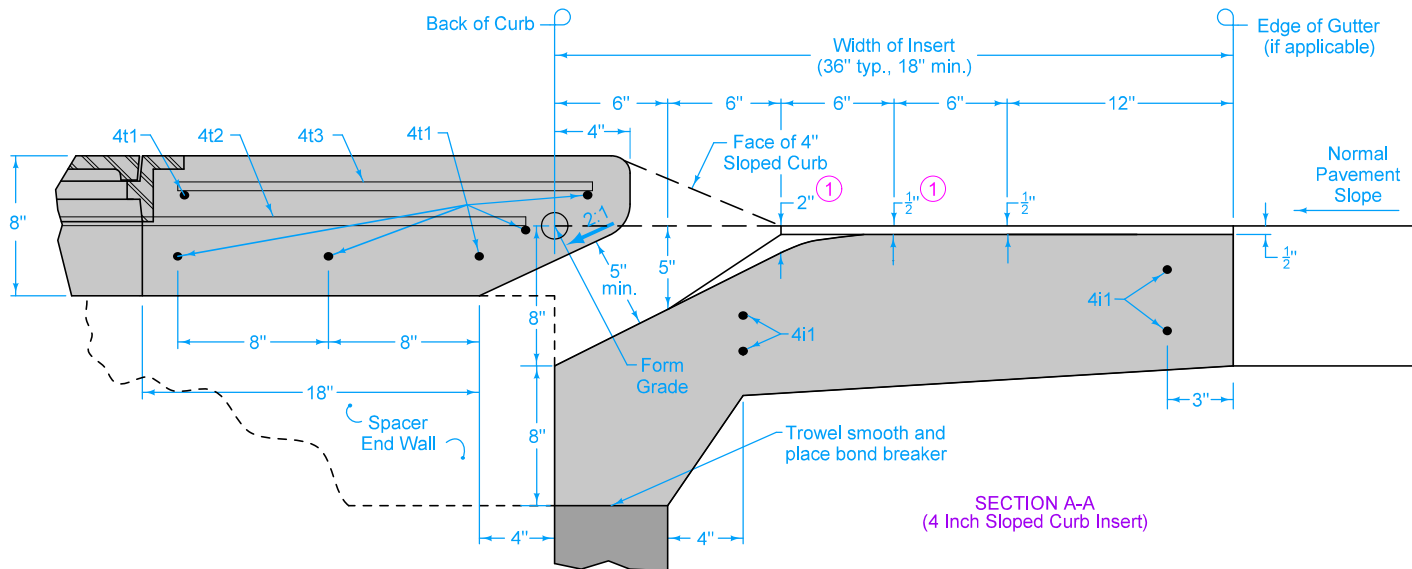


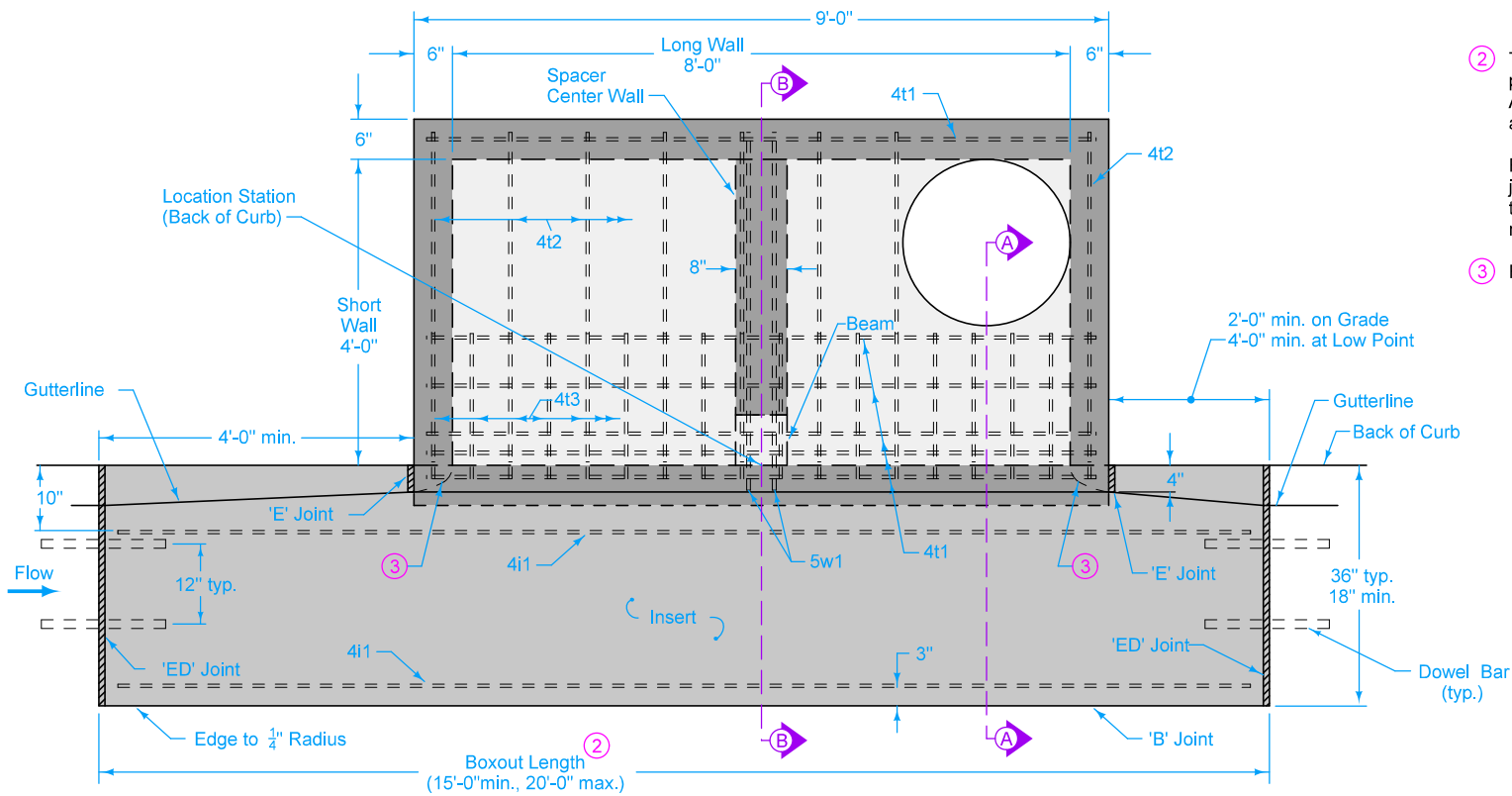
SECTION A-A
(6 Inch Standard Curb Insert)



SECTION A-A
(4 Inch Sloped Curb Insert)

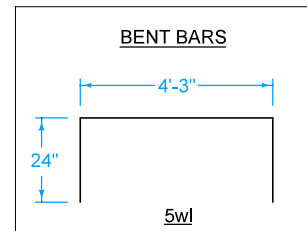
① Insert shaping may be modified for insert widths less than 36 inches. For an 18 inch insert, reduce dimensions indicated by $\frac{1}{4}$ inch.

SUDAS	IOWADOT	REVISION
		5 04-17-18
FIGURE 6010.510	STANDARD ROAD PLAN	SW-510
		SHEET 1 of 3
<small>REVISIONS: Added second Insert drawing to include 4" curb. Changed "Insert" callout to "Concrete Fillet". Modified circle notes.</small>		
<i>Paul D. Wigand</i> SUDAS DIRECTOR		<i>Brian Smith</i> DESIGN METHODS ENGINEER
DOUBLE OPEN-THROAT CURB INTAKE, LARGE BOX		



PLAN

REINFORCING BAR LIST						
Mark	Size	Location	Shape	Count	Length	Spacing
4b1	4	Base	—	9	4'-6"	12"
4b2	4	Base	—	6	8'-6"	11"
4i1	4	Insert	—	4	Boxout Length minus 8"	See Insert
4t1	4	Top	—	7	8'-6"	See Plan
4t2	4	Top	—	8	4'-4"	12"
4t3	4	Top	—	18	1'-10"	6"
4w1	4	Walls	—	24	Wall Height minus 4"	13"
4w2	4	Long Walls	—	Varies	4'-8"	12"
4w3	4	Short Walls	—	Varies	8'-8"	12"
5w1	5	Beam	┌	2	8'-3"	4"



(2) Transverse joint spacing on new concrete pavement is controlled by the intake boxout. Adjust adjacent joint spacing as required to accommodate boxouts.

For retrofit intakes, match existing pavement joints that do not conform to the minimum spacing requirements at the edge of the insert area.

(3) Rounded shaping at inlet.

2'-0" min. on Grade
4'-0" min. at Low Point

Gutterline
Back of Curb

36" typ.
18" min.
Dowel Bar (typ.)

Boxout Length (2)
(15'-0" min., 20'-0" max.)

Location Station
(Back of Curb)

Short Wall
4'-0"

Gutterline

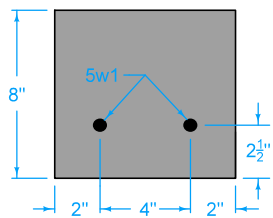
4'-0" min.

10"
12" typ.

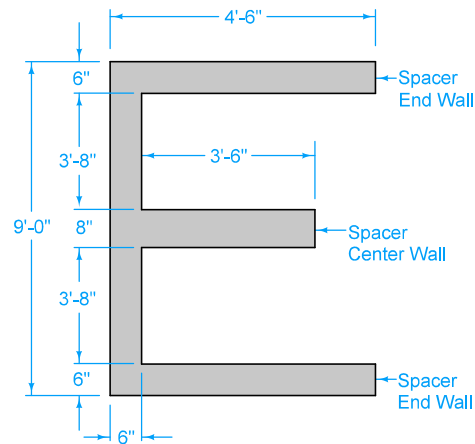
Flow

Edge to 1/4" Radius

SUDAS IOWADOT	REVISION	5	04-17-18
	FIGURE 6010.510	STANDARD ROAD PLAN	SW-510
REVISIONS: Added second Insert drawing to include 4" curb. Changed 'Insert' callout to 'Concrete Fillet'. Modified circle notes.			SHEET 2 of 3
Paul D. Wigand SUDAS DIRECTOR		Brian Smith DESIGN METHODS ENGINEER	
DOUBLE OPEN-THROAT CURB INTAKE, LARGE BOX			



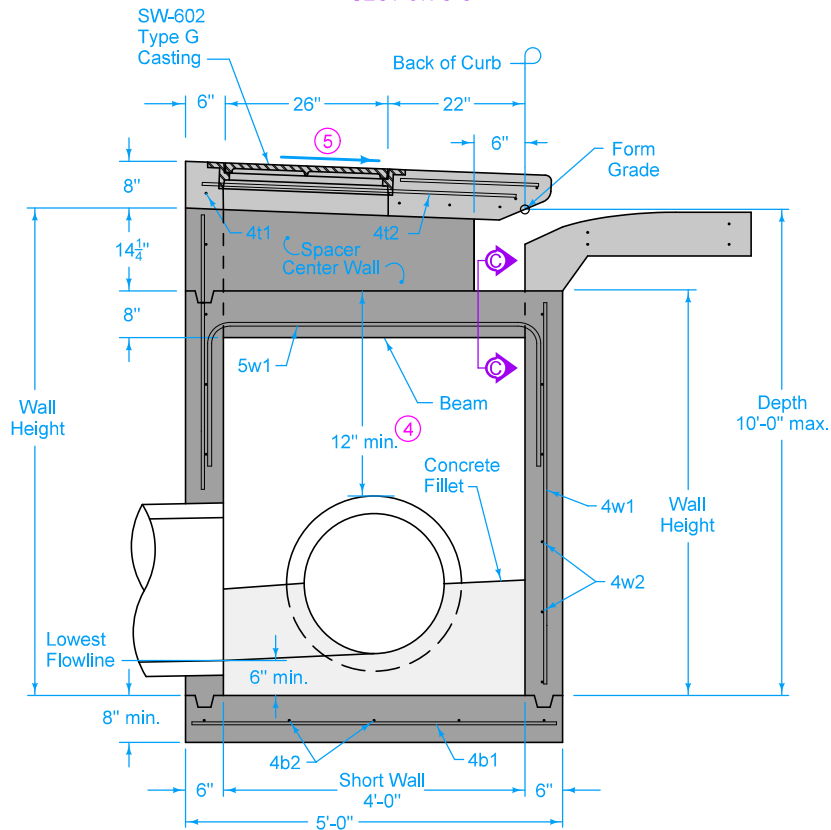
SECTION C-C



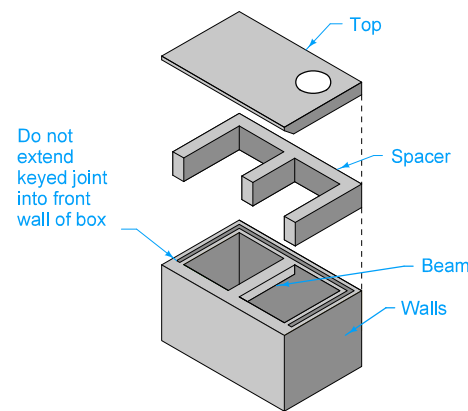
PLAN (SPACER)

- ④ 12 inch minimum wall height above all pipes.
- ⑤ Slope of 1.5% or as specified in the contract documents.

MAXIMUM PIPE DIAMETERS		
Pipe Location	Precast Structure	Cast-in-place Structure
Short Wall	30"	36"
Long Wall	60"	66"



SECTION B-B



ISOMETRIC
(Refer to Section B-B for alignment of Top with Spacer)

FIGURE 6010.510 SHEET 3 OF 3

SUDAS	IOWADOT	REVISION
		5 04-17-18
FIGURE 6010.510	STANDARD ROAD PLAN	SW-510
		SHEET 3 of 3
<small>REVISIONS: Added second Insert drawing to include 4" curb. Changed "invert" callout to "Concrete Fillet". Modified circle notes.</small>		
<i>Paul D. Wigand</i> SUDAS DIRECTOR		<i>Brian Smith</i> DESIGN METHODS ENGINEER
DOUBLE OPEN-THROAT CURB INTAKE, LARGE BOX		