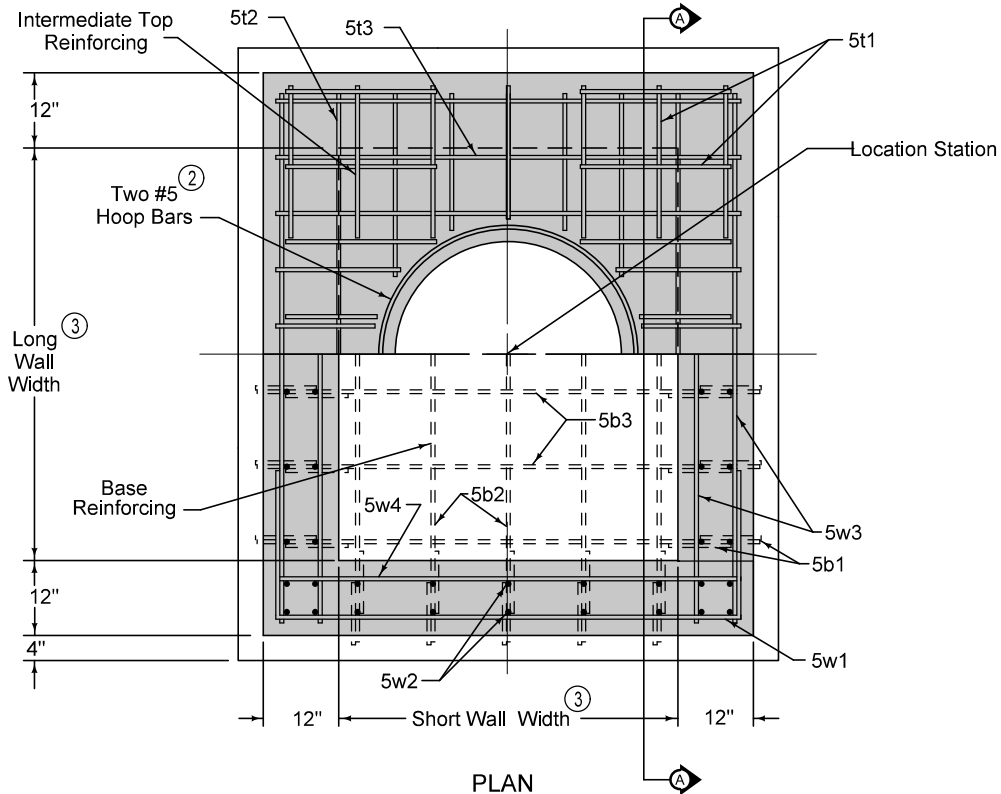


Adjacent walls may have different widths based upon pipe configuration, but structure must be rectangular.

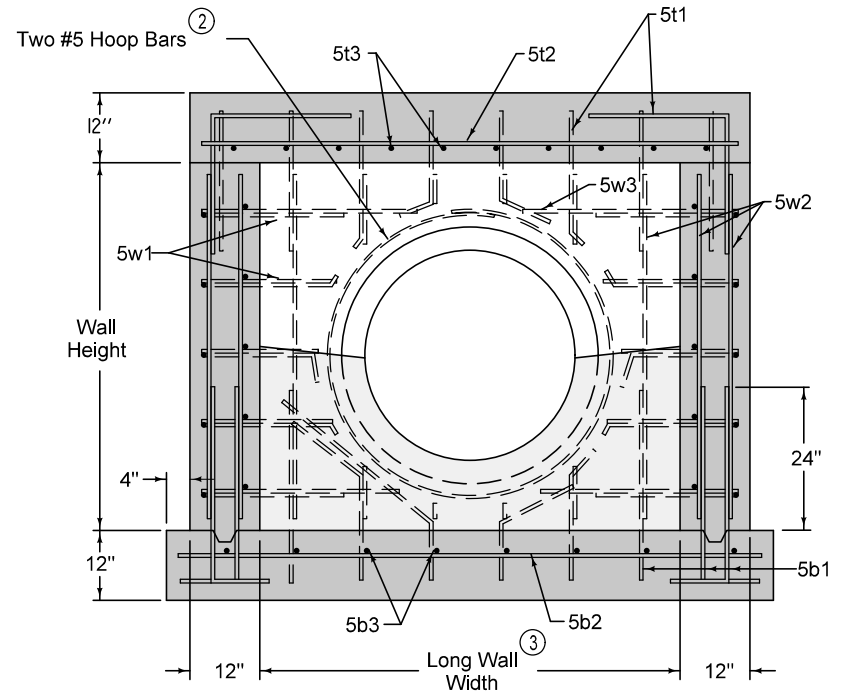
- ① Cast-in-place base shown. If base is precast integral with walls, the footprint of the base is not required to extend beyond the outer edge of the walls.
- ② Provide two #5 hoop bars at intermediate top opening and at all pipe openings.
- ③ Wall widths vary with pipe diameter and range from 4 feet minimum to 12 feet maximum. Provide 12 inches of wall width (minimum) each side of pipe opening.
- ④ 12 inch minimum wall height above all pipes.

FIGURE 6010.404 SHEET 1 OF 2

SUDAS	IOWADOT	REVISION
		2 04-17-18
FIGURE 6010.404	STANDARD ROAD PLAN	<b>SW-404</b>
		SHEET 1 of 2
<small>REVISIONS: Changed 'invert' callout to 'Concrete Fillet'. Updated line work and DOT and SUDAS logos.</small>		
<i>Paul D. Wigand</i> SUDAS DIRECTOR		<i>Brian Smith</i> DESIGN METHODS ENGINEER
<b>RECTANGULAR BASE/ CIRCULAR TOP STORM SEWER MANHOLE</b>		

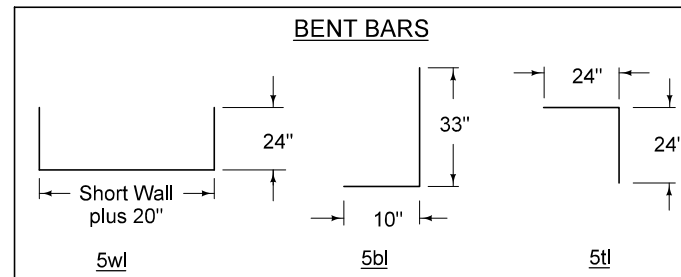


- ② Provide two #5 hoop bars at intermediate top opening and at all pipe openings.
- ③ Wall widths vary with pipe diameter and range from 4 feet minimum to 12 feet maximum. Provide 12 inches of wall width (minimum) each side of pipe opening.



SECTION A-A

REINFORCING BAR LIST					
Mark	Size	Location	Shape	Length	Spacing
5t1	5	Top	L	48"	12"
5t2	5	Top	—	Long Wall plus 20"	9"
5t3	5	Top	—	Short Wall plus 20"	9"
5t4	5	Top	—	8"	12"
5b1	5	Base	L	43"	12"
5b2	5	Base	—	Long Wall plus 26"	12"
5b3	5	Base	—	Short Wall plus 26"	12"
5w1	5	Wall	U	Short Wall plus 68"	12"
5w2	5	Wall	—	Wall Height minus 4"	12"
5w3	5	Wall	—	Long Wall plus 20"	12"
5w4	5	Wall	—	Short Wall plus 20"	12"



SUDAS IOWADOT	REVISION 2   04-17-18
	<b>FIGURE 6010.404</b>   <b>STANDARD ROAD PLAN</b> <b>SW-404</b> SHEET 2 of 2
REVISIONS: Changed 'invert' callout to 'Concrete Fillet'. Updated the work and DOT and SUDAS logos.	
<i>Paul D. Wigand</i> SUDAS DIRECTOR	
<i>Brian Smith</i> DESIGN METHODS ENGINEER	
<b>RECTANGULAR BASE/          CIRCULAR TOP          STORM SEWER MANHOLE</b>	