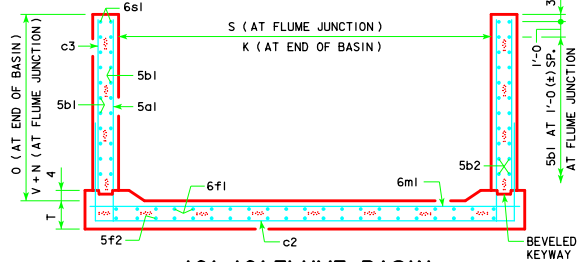
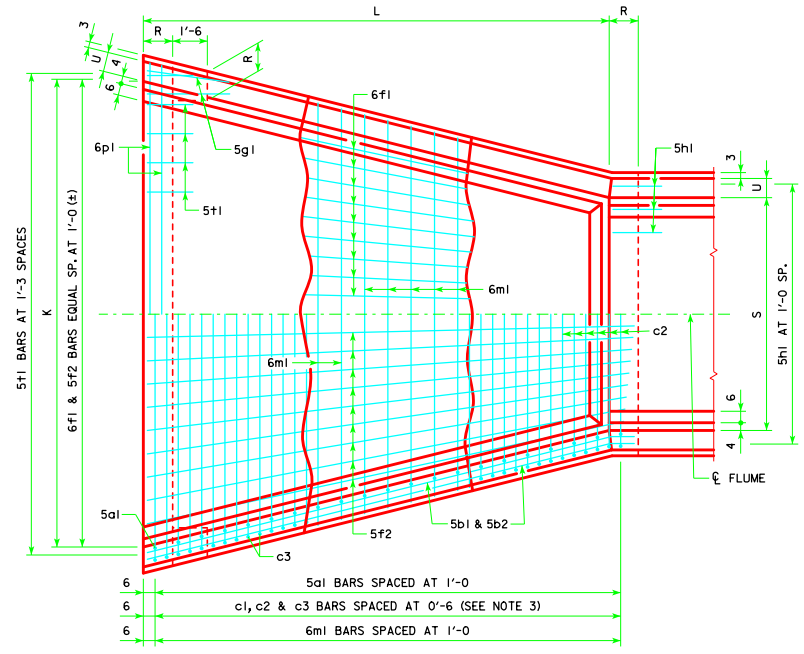
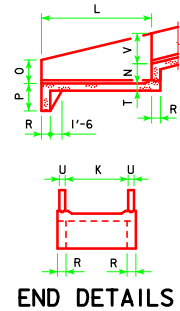
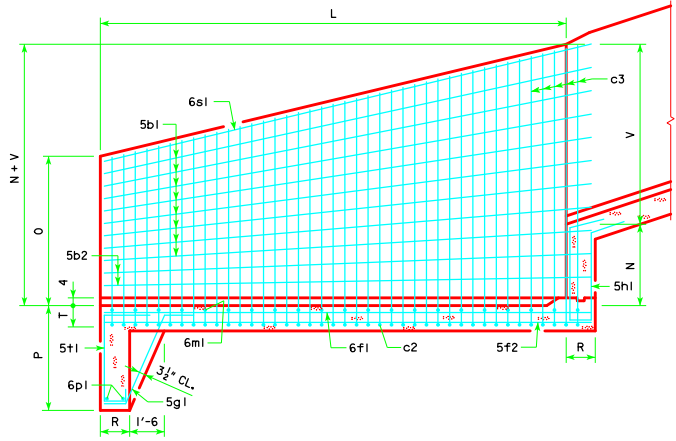


ENGLISH\DESIGN\ELIMES.DGN -- RCFB-05-12 -- THIS SHEET ISSUED 04-12.



- FLUME BASIN NOTES:**
1. SEE STANDARD SHEET RCF-01-12 FOR GENERAL INFORMATION.
  2. c2 & c3 BARS ARE LAPPED.
  3. c1 BARS ARE OMITTED IF BOTH S AND H ARE EQUAL TO OR LARGER THAN 8' AND 9' RESPECTIVELY.
  4. SEE STANDARD SHEET RCF-04-12 FOR FLUME BASIN QUANTITIES.

LATEST REVISION DATE	 APPROVED BY BRIDGE ENGINEER	 STANDARD DESIGN <b>REINFORCED CONCRETE BOX CULVERTS</b> APRIL, 2012	
		<b>FLUME BASIN DETAILS</b> 10' SPAN	<b>RCFB-05-12</b>