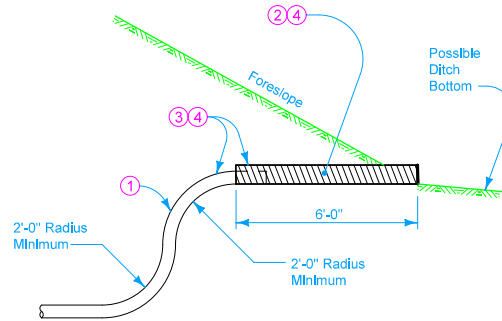
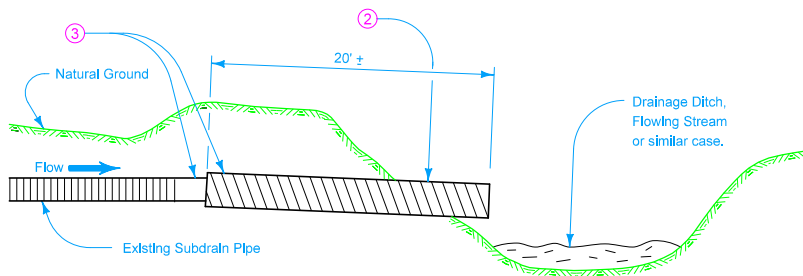


**STANDARD SUBDRAIN OUTLET
TYPE A**
For existing subdrain pipes 12" or less in diameter. ⑤



**PRESSURE RELEASE OUTLET
TYPE B**

- ① Perforated Subdrain (Polyethylene Corrugated Tubing).
- ② If corrugated metal pipe is used, an outlet 2 inches larger than existing subdrain pipe is required. If double-walled PE or PVC pipe is used, an outlet pipe of the same diameter as the existing subdrain pipe may be used.
- ③ The pipes should be coupled in one of the two following ways: (1) Use an inside fit reducer coupler (coupler must be inserted a minimum of 12 inches into C.M.P.); or (2) Insert 12 inches of the existing subdrain pipe into the corrugated metal outlet pipe, then fully seal the entire opening with grout.
- ④ If a concrete headwall is used, refer to [DR-306](#).
- ⑤ For existing subdrain pipes larger than 12 inches in diameter, use Special Outlet, Type C.



**SPECIAL OUTLET
TYPE C**

Possible Contract Item:
Subdrain Outlet (DR-305)

Possible Tabulation:
104-5C

IOWA DOT	REVISION
	1 04-17-18
	DR-305
STANDARD ROAD PLAN	SHEET 1 of 1

REVISIONS: Added new circle note 4 and renumbered old circle note 4 to 5 to allow concrete headwall to be used for Type A and B.

Brian Smith
APPROVED BY DESIGN METHODS ENGINEER

SUBDRAIN OUTLETS
(STANDARD SUBDRAIN,
PRESSURE RELEASE AND SPECIAL)