

TYPICAL SECTION

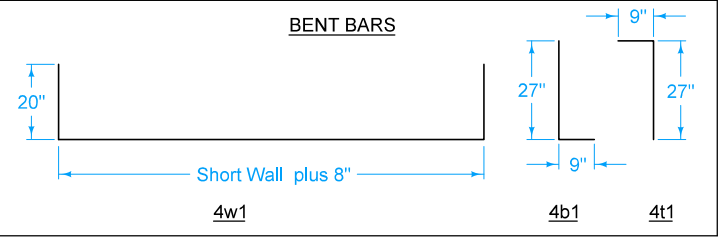
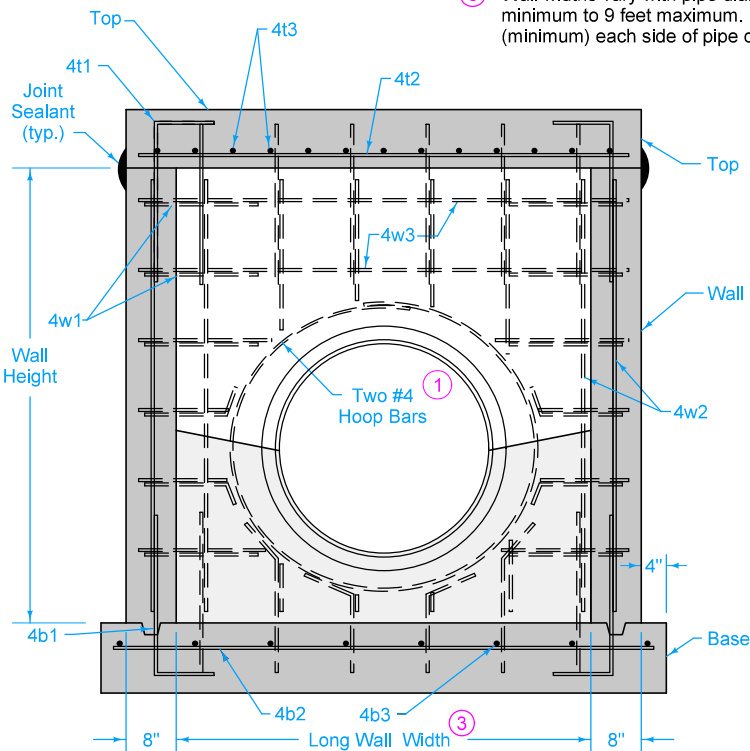
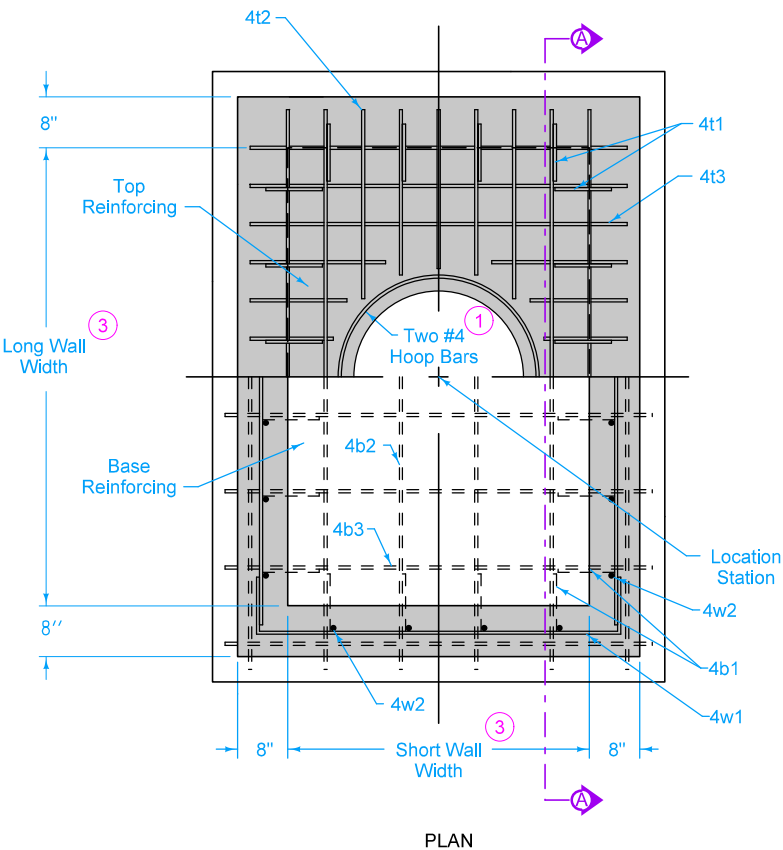
Adjacent walls may have different widths based upon pipe configuration, but structure must be rectangular.

- ① Provide two #4 hoop bars at top opening and at all pipe openings.
- ② Cast-in-place base shown. If base is precast integral with walls, the footprint of the base is not required to extend beyond the outer edge of the walls.
- ③ Wall widths vary with pipe diameter and range from 4 feet minimum to 9 feet maximum. Provide 12 inches of wall width (minimum) each side of pipe opening.
- ④ 12 inch minimum wall height above all pipe openings.

FIGURE 6010.302 SHEET 1 OF 2

SUDAS IOWADOT	REVISION	2	04-21-20
	FIGURE 6010.302	STANDARD ROAD PLAN	SW-302
REVISIONS: Added Class I Bedding Material.			SHEET 1 of 2
Paul D. Wigand SUDAS DIRECTOR		Shawn Nide DESIGN METHODS ENGINEER	
RECTANGULAR SANITARY SEWER MANHOLE			

- ① Provide two #4 hoop bars at top opening and at all pipe openings.
- ② Cast-in-place base shown. If base is precast integral with walls, the footprint of the base is not required to extend beyond the outer edge of the walls.
- ③ Wall widths vary with pipe diameter and range from 4 feet minimum to 9 feet maximum. Provide 12 inches of wall width (minimum) each side of pipe opening.



REINFORCING BAR LIST					
Mark	Size	Location	Shape	Length	Spacing
4b1	4	Base		36"	12"
4b2	4	Base		Long Wall plus 18"	12"
4b3	4	Base		Short Wall plus 18"	12"
4t1	4	Top		36"	12"
4t2	4	Top		Long Wall plus 12"	6"
4t3	4	Top		Short Wall plus 12"	6"
4w1	4	Wall		Short Wall plus 48"	12"
4w2	4	Wall		Wall Height minus 4"	12"
4w3	4	Wall		Long Wall plus 12"	12"

FIGURE 6010.302 SHEET 2 OF 2

SUDAS IOWADOT	REVISION 2 04-21-20
	FIGURE 6010.302 STANDARD ROAD PLAN SW-302 SHEET 2 of 2
REVISIONS: Added Class 1 Bedding Material.	
Paul D. Wigand SUDAS DIRECTOR	
Shant Nade DESIGN METHODS ENGINEER	
RECTANGULAR SANITARY SEWER MANHOLE	