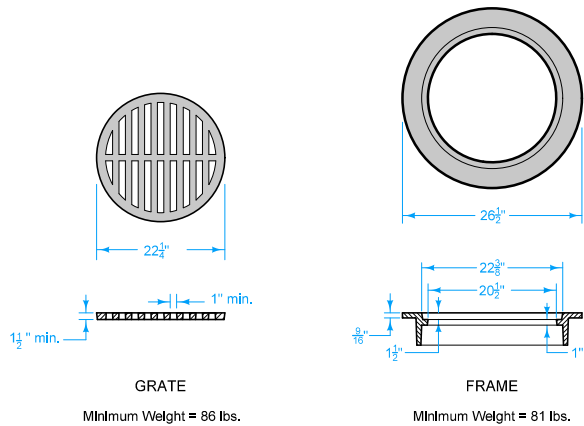


Top of intake may be poured in the field or precast. For precast units, place a 1 inch diameter X 3 inch deep alignment hole 3 inches from each side of the corners of the unit.

- ① Four #6 X 9 inch alignment pins (precast tops only).
- ② Meet the requirements of Article 4151.04 of the Standard Specifications.



IOWA DOT	REVISION	
	New	04-17-18
STANDARD ROAD PLAN		SW-563
		SHEET 1 of 2

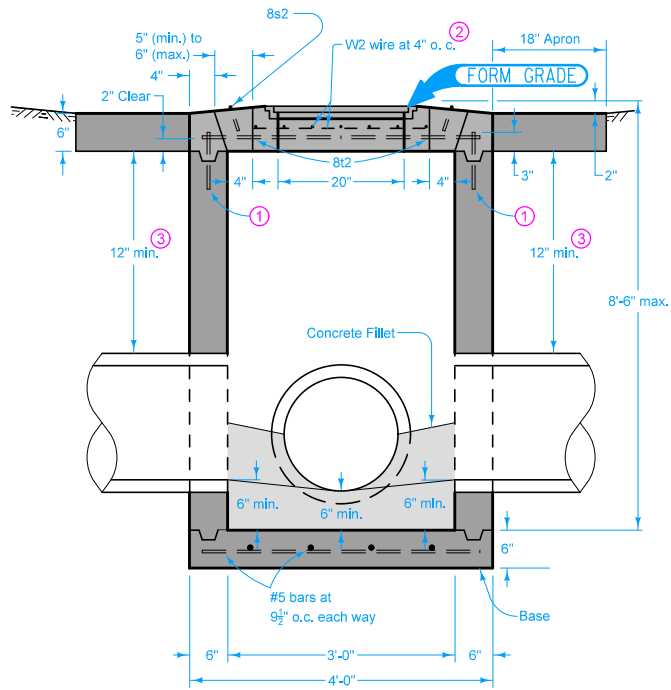
REVISIONS: New.

Brian Smith
APPROVED BY DESIGN METHODS ENGINEER

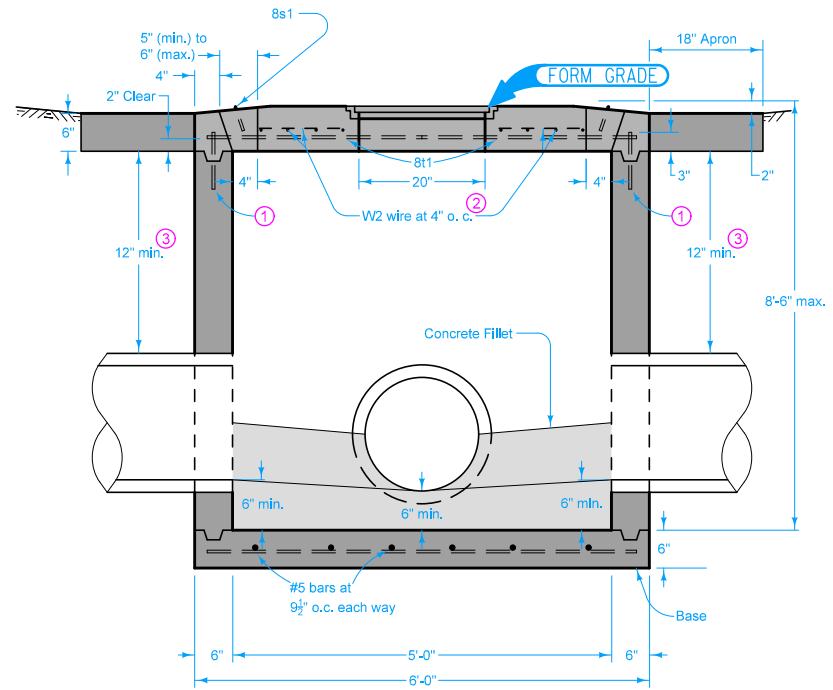
**VERTICAL THROAT AREA INTAKE
(LARGE BOX)**

Short wall maximum pipe size 18 inches. Long wall maximum pipe size 36 inches.


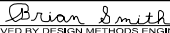
- ① Four #6 X 9 inch alignment pins (precast tops only).
- ② Meet the requirements of Article 4151.04 of the Standard Specifications.
- ③ 12 inch minimum wall height above all pipes.



SECTION A-A
(Short Wall)



SECTION B-B
(Long Wall)

	REVISION
	New 04-17-18
	STANDARD ROAD PLAN
REVISIONS: New.	SW-563
APPROVED BY DESIGN METHODS ENGINEER	SHEET 2 of 2
 APPROVED BY DESIGN METHODS ENGINEER	
VERTICAL THROAT AREA INTAKE (LARGE BOX)	