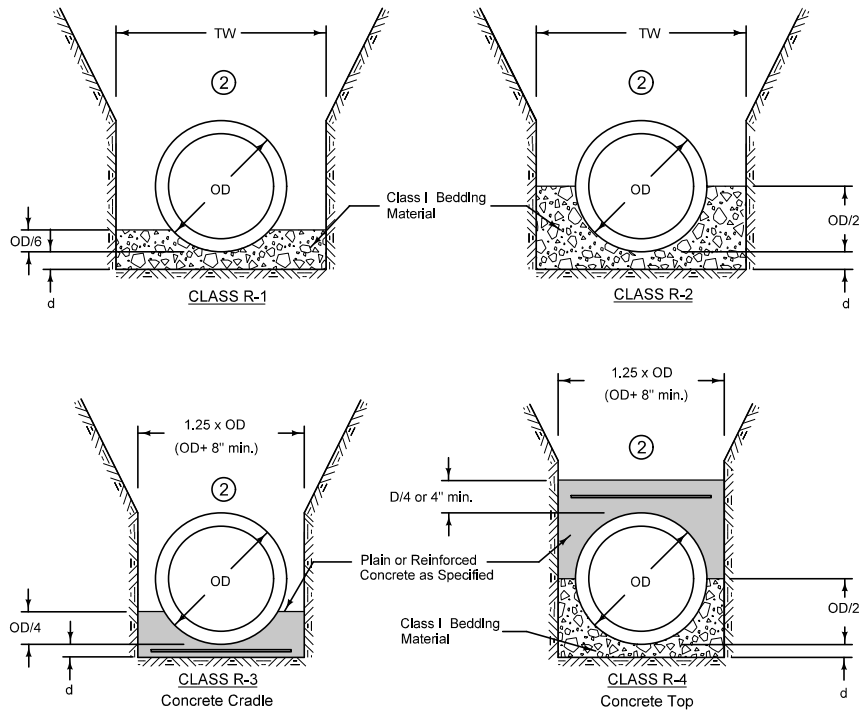


RCP AND VCP CIRCULAR PIPE BEDDING ①



Refer to sheet 2 for bury depth restrictions.

- ① Use Bedding Class R-1 or R-2 unless specified otherwise.
- ② Place remainder of bedding and backfill materials as specified in the contract documents.

Key

- OD = Outside diameter of pipe
- OS = Outside span of pipe
- TW = Trench width at top of pipe:  
Min. = OD+18 inches  
Max. = 1.25xOD+12 inches OR  
54 inches (whichever is greater)
- d = Depth of bedding material below pipe:  
OD/8 or OS/8, OR 4 inches  
(whichever is greater)

REINFORCED CONCRETE ARCH AND ELLIPTICAL PIPE BEDDING

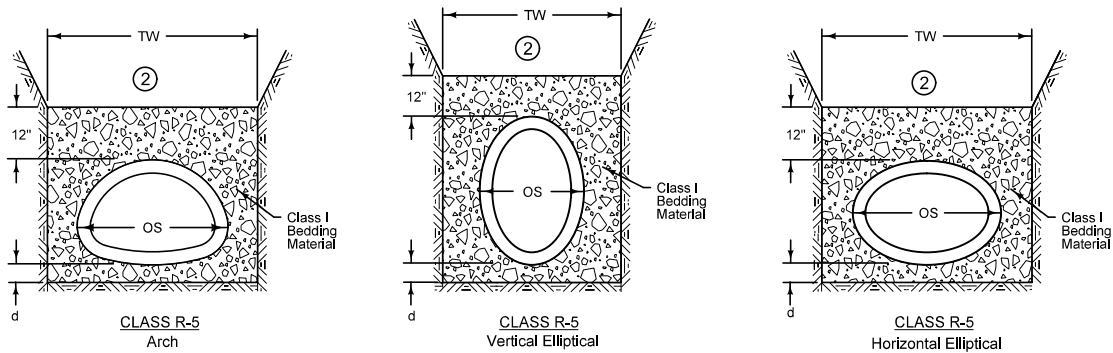


FIGURE 3010.102 SHEET 1 OF 2

SUDAS	IOWADOT	REVISION
		3 04-16-19
FIGURE 3010.102	STANDARD ROAD PLAN	<b>SW-102</b>
		SHEET 1 of 2
REVISIONS: Changed Class 1 to Class I in CLASS R-5 Vertical Elliptical detail.		
Fred D. Wigand SUDAS DIRECTOR		Shawn Miller DESIGN METHODS ENGINEER
<b>RIGID GRAVITY PIPE TRENCH BEDDING</b>		

ALLOWABLE BURY DEPTH

CLASS III RCP

Pipe Diameter (in)	Class R-1 Bedding	Class R-2 Bedding	Class R-3 & R-4 Bedding		
			No Steel	As=0.4%	As=1.0%
12	7'	10'	15'	19'	27'
15	8'	10'	16'	19'	27'
18	8'	11'	16'	20'	40'
21	8'	11'	18'	26'	40'
24	8'	12'	23'	36'	40'
27	10'	15'	30'	40'	40'
30	11'	15'	29'	40'	40'
33	11'	15'	28'	40'	40'
36	11'	15'	27'	40'	40'
42	11'	15'	26'	38'	40'
48	11'	15'	26'	36'	40'
54	11'	15'	25'	34'	40'
60	11'	15'	25'	33'	40'
66	11'	15'	24'	32'	40'
72	11'	15'	24'	32'	40'

As = Area of Steel Reinforcing

CLASS IV RCP

Pipe Diameter (in)	Class R-1 Bedding	Class R-2 Bedding	Class R-3 & R-4 Bedding		
			No Steel	As=0.4%	As=1.0%
12	12'	15'	23'	28'	40'
15	12'	16'	23'	30'	40'
18	13'	16'	29'	40'	40'
21	13'	18'	40'	40'	40'
24	16'	23'	40'	40'	40'
27	19'	30'	40'	40'	40'
30	19'	29'	40'	40'	40'
33	19'	28'	40'	40'	40'
36	19'	28'	40'	40'	40'
42	18'	27'	40'	40'	40'
48	18'	26'	40'	40'	40'
54	18'	25'	40'	40'	40'
60	18'	25'	40'	40'	40'
66	18'	25'	40'	40'	40'
72	18'	24'	40'	40'	40'

As = Area of Steel Reinforcing

CLASS V RCP

Pipe Diameter (in)	Class R-1 Bedding	Class R-2 Bedding	Class R-3 & R-4 Bedding		
			No Steel	As=0.4%	As=1.0%
12	18'	23'	35'	40'	40'
15	19'	24'	40'	40'	40'
18	19'	30'	40'	40'	40'
21	25'	40'	40'	40'	40'
24	34'	40'	40'	40'	40'
27	40'	40'	40'	40'	40'
30	40'	40'	40'	40'	40'
33	40'	40'	40'	40'	40'
36	40'	40'	40'	40'	40'
42	37'	40'	40'	40'	40'
48	35'	40'	40'	40'	40'
54	33'	40'	40'	40'	40'
60	32'	40'	40'	40'	40'
66	31'	40'	40'	40'	40'
72	31'	40'	40'	40'	40'

As = Area of Steel Reinforcing

EXTRA STRENGTH VCP

Pipe Dia. (in)	Bedding Class				
	R-1	R-2	R-3 & R-4		
			No Steel	As=0.4%	As=1.0%
6	25'	30'	30'	30'	30'
8	20'	26'	30'	30'	30'
10	18'	23'	30'	30'	30'
12	16'	20'	30'	30'	30'
15	15'	19'	28'	30'	30'
18	14'	18'	30'	30'	30'
21	15'	22'	30'	30'	30'
24	18'	28'	30'	30'	30'
27	20'	30'	30'	30'	30'
30	19'	29'	30'	30'	30'
33	20'	30'	30'	30'	30'
36	20'	30'	30'	30'	30'
39	19'	29'	30'	30'	30'
42	18'	26'	30'	30'	30'

As = Area of Steel Reinforcing

CONCRETE ARCH PIPE

Pipe Size (in x in)	Equiv. Dia. (in)	Pipe Class	
		A-III	A-IV
18 x 11	15	6'	11'
22 x 13	18	6'	11'
26 x 15	21	6'	13'
29 x 18	24	7'	15'
36 x 22	30	8'	15'
44 x 27	36	8'	14'
51 x 31	42	8'	15'
58 x 36	48	8'	15'
65 x 40	54	8'	15'
73 x 45	60	8'	14'
88 x 54	72	9'	14'

Based on Class R-5 bedding

HORIZONTAL ELLIPTICAL RCP

Pipe Size (in x in)	Equiv. Dia. (in)	Pipe Class	
		HE-III	HE-IV
14 x 23	18	12'	22'
19 x 30	24	15'	29'
22 x 34	27	15'	28'
24 x 38	30	15'	27'
27 x 42	33	15'	27'
29 x 45	36	15'	26'
32 x 49	39	15'	26'
34 x 54	42	15'	25'
38 x 60	48	15'	25'
43 x 68	54	15'	24'
48 x 76	60	15'	24'
53 x 83	66	15'	24'
58 x 91	72	15'	24'
63 x 98	78	15'	23'
68 x 106	84	15'	23'

Based on Class R-5 bedding

VERTICAL ELLIPTICAL RCP

Pipe Size (in x in)	Equiv. Dia. (in)	Pipe Class			
		VE-III	VE-IV	VE-V	VE-VI
23 x 14	18	10'	15'	22'	33'
30 x 19	24	10'	16'	34'	40'
34 x 22	27	11'	20'	40'	40'
38 x 24	30	12'	23'	40'	40'
42 x 27	33	15'	30'	40'	40'
45 x 29	36	15'	29'	40'	40'
49 x 32	39	15'	29'	40'	40'
54 x 34	42	15'	28'	40'	40'
60 x 38	48	15'	27'	40'	40'
68 x 43	54	15'	27'	40'	40'
76 x 48	60	15'	26'	40'	40'
83 x 53	66	15'	25'	40'	40'
91 x 58	72	15'	25'	40'	40'
98 x 63	78	15'	25'	40'	40'
106 x 68	84	15'	24'	40'	40'

Based on Class R-5 bedding

FIGURE 3010.102 SHEET 2 OF 2

SUDAS IOWADOT	REVISION 3 04-16-19
	FIGURE 3010.102 STANDARD ROAD PLAN <b>SW-102</b> SHEET 2 of 2
REVISIONS: Changed Class 1 to Class I in CLASS R-5 Vertical Elliptical detail.	
Paul D. Wigand SUDAS DIRECTOR	
Stuart Nade DESIGN METHODS ENGINEER	
<b>RIGID GRAVITY PIPE TRENCH BEDDING</b>	