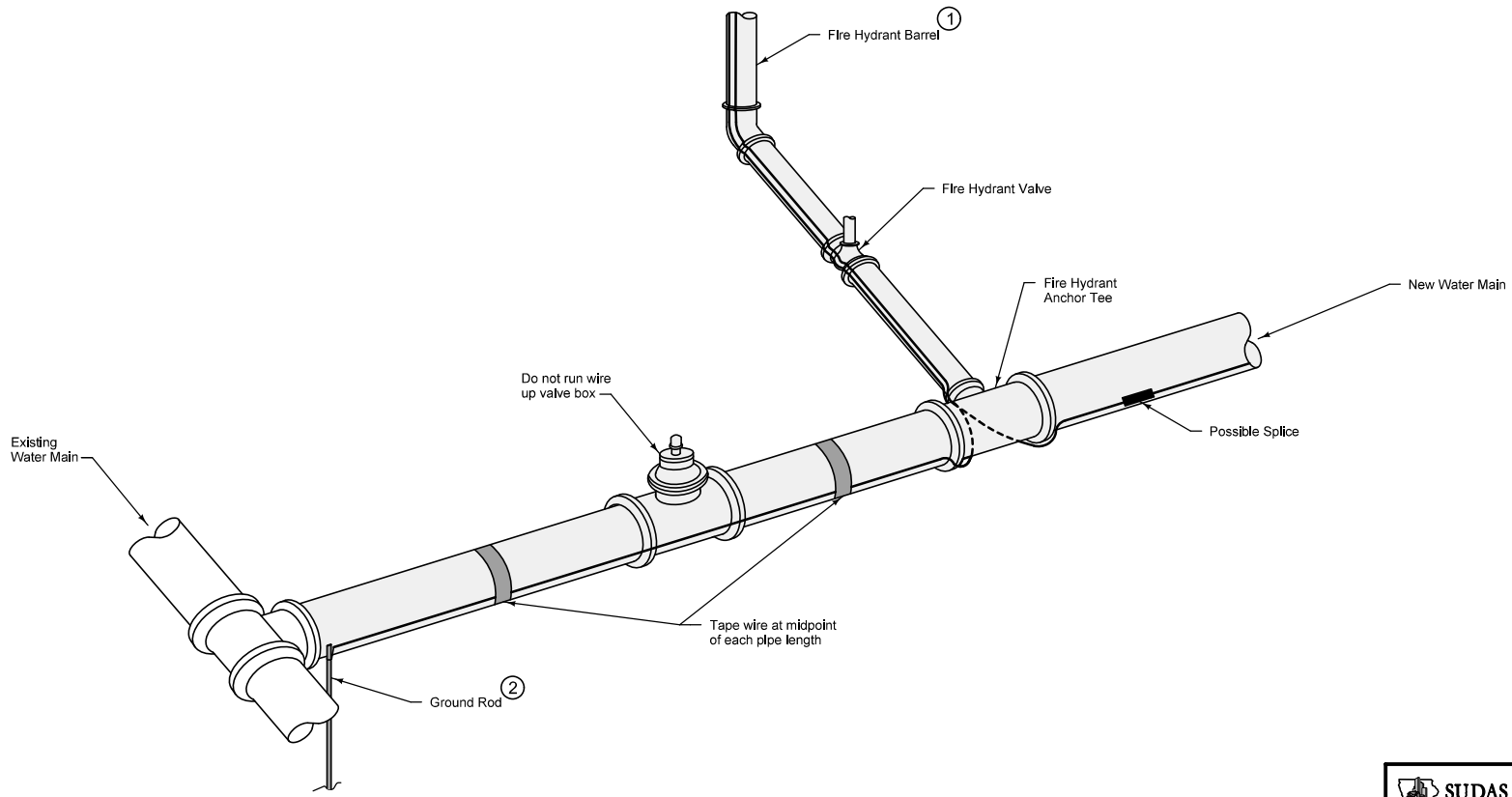


- ① Extend tracer wire up fire hydrant barrel to internal terminals of tracer wire station and back down. Refer to WM-201 for details of fire hydrant assembly.
- ② Clamp tracer wire to ground rod at system termination points.



TYPICAL INSTALLATION

FIGURE 5010.102 | SHEET 1 OF 1

SUDAS	IOWADOT	REVISION	
		1	10-18-16
FIGURE 5010.102	STANDARD ROAD PLAN	<b>WM-102</b>	
		SHEET 1 of 1	
<small>REVISIONS: Replaced Iowa DOT and SUDAS logos with new logos.</small>			
Paul D. Wigand <small>SUDAS DIRECTOR</small>		Brian Smith <small>DESIGN METHODS ENGINEER</small>	
<b>TRACER SYSTEM</b>			