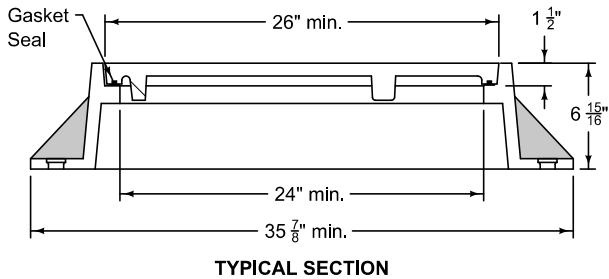
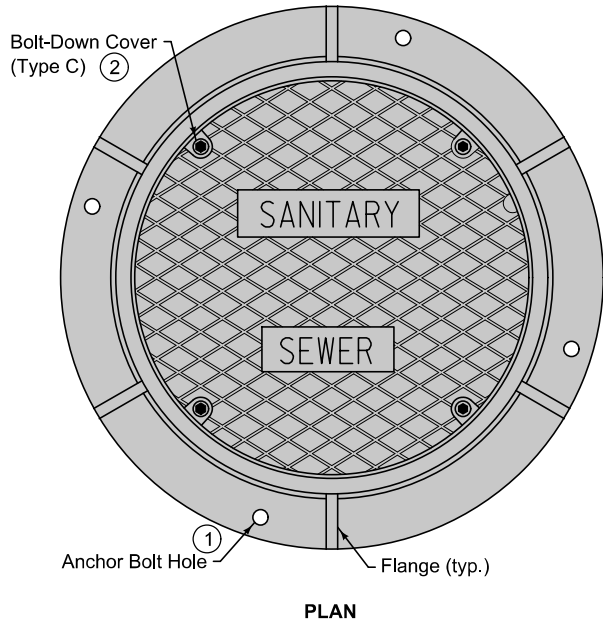


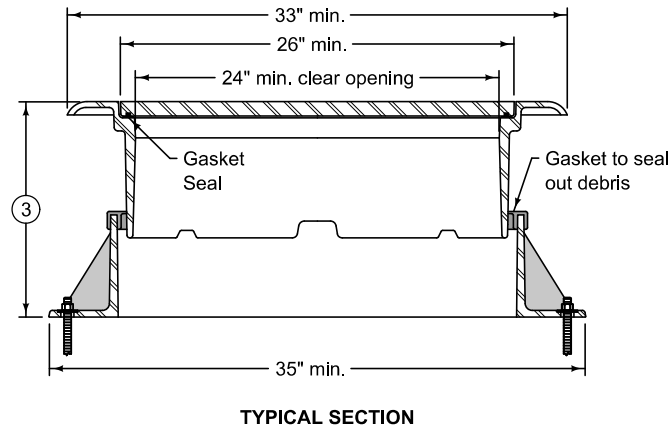
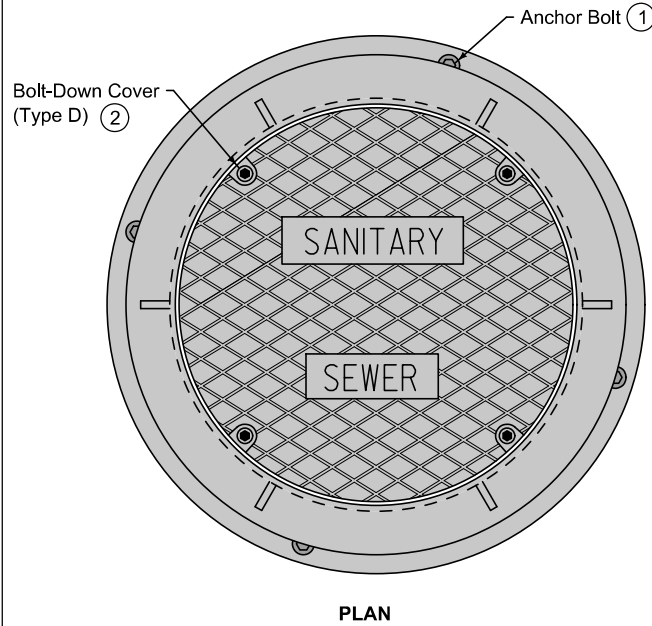
**TYPE A**  
Two-piece fixed casting

**TYPE C**  
Two-piece fixed casting with bolt-down cover (2)



**TYPE B: HMA**  
Three-piece floating casting for use in HMA paving

**TYPE D: HMA**  
Three-piece floating casting with bolt-down cover for use in HMA paving (2)



Frame Notes:  
Size, spacing, and number of lugs and flanges may vary.

Cover Notes:  
Roughness pattern and text style may vary.  
Minimum one concealed pickhole.

- ① Anchor the lower frame of all three-piece castings to the manhole structure. When specified in the contract documents, anchor the frame of two-piece castings to the manhole structure. If casting frame does not include anchor holes or slots, drill four 7/8 inch diameter holes, equally spaced around the frame.
- ② If specified, furnish bolt down frame and cover with four 1/2 inch minimum diameter stainless steel, hex nut, recessed cap screws. Secure cover with screws, washers, and rubber gasket seals.
- ③ Casting height varies. Minimum adjustment range of 4 inches.

FIGURE 6010.601 SHEET 1 OF 2

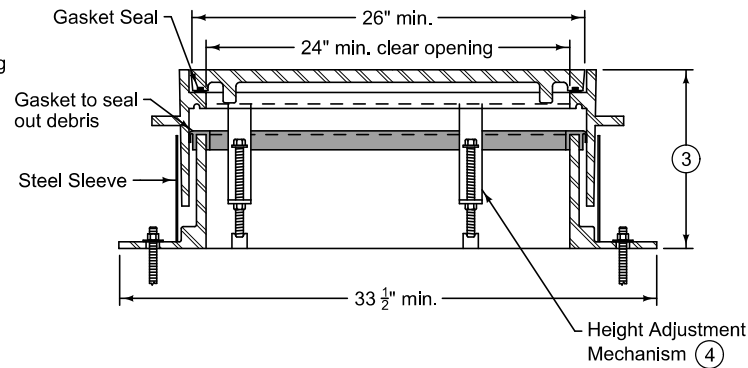
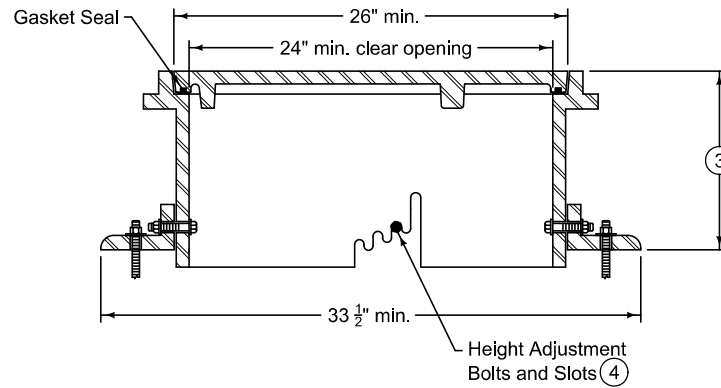
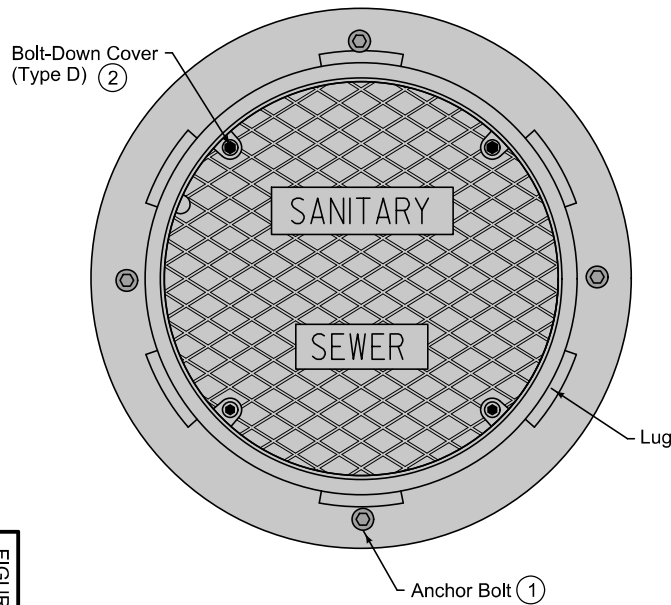
SUDAS IOWADOT	REVISION
	4 04-21-20
FIGURE 6010.601	STANDARD ROAD PLAN
Paul D. Wigand SUDAS DIRECTOR	
Stuart Miller DESIGN METHODS ENGINEER	
<b>CASTINGS FOR SANITARY SEWER MANHOLES</b>	

**TYPE B: PCC**

Three-piece floating casting for use in PCC paving and PCC boxouts

**TYPE D: PCC**

Three-piece floating casting with bolt-down cover for use in PCC paving and PCC boxouts



TYPICAL SECTION (5)

Frame Notes:  
Size, spacing, and number of lugs and flanges may vary.

Cover Notes:  
Roughness pattern and text style may vary.  
Minimum one concealed pickhole.

- (1) Anchor the lower frame of all three-piece castings to the manhole structure. When specified in the contract documents, anchor the frame of two-piece castings to the manhole structure. If casting frame does not include anchor holes or slots, drill four 7/8 inch diameter holes, equally spaced around the frame.
- (2) If specified, furnish bolt down frame and cover with four 1/2 inch minimum diameter stainless steel, hex nut, recessed cap screws. Secure cover with screws, washers, and rubber gasket seals.
- (3) Casting height varies. Minimum adjustment range of 4 inches.
- (4) Set casting at proper grade using the adjustment slots or adjustment mechanism. Remove bolts or mechanism upon completion of paving.
- (5) Height adjustment method may vary; two options are shown.

SUDAS	IOWADOT	REVISION	
		4	04-21-20
FIGURE 6010.601	STANDARD ROAD PLAN	<b>SW-601</b>	
		SHEET 2 of 2	

REVISIONS: Add option for 3-piece HMA casting

*Paul D. Wigand*  
SUDAS DIRECTOR

*Stuart Nade*  
DESIGN METHODS ENGINEER

**CASTINGS FOR  
SANITARY SEWER MANHOLES**