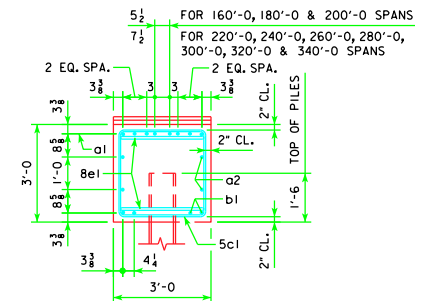
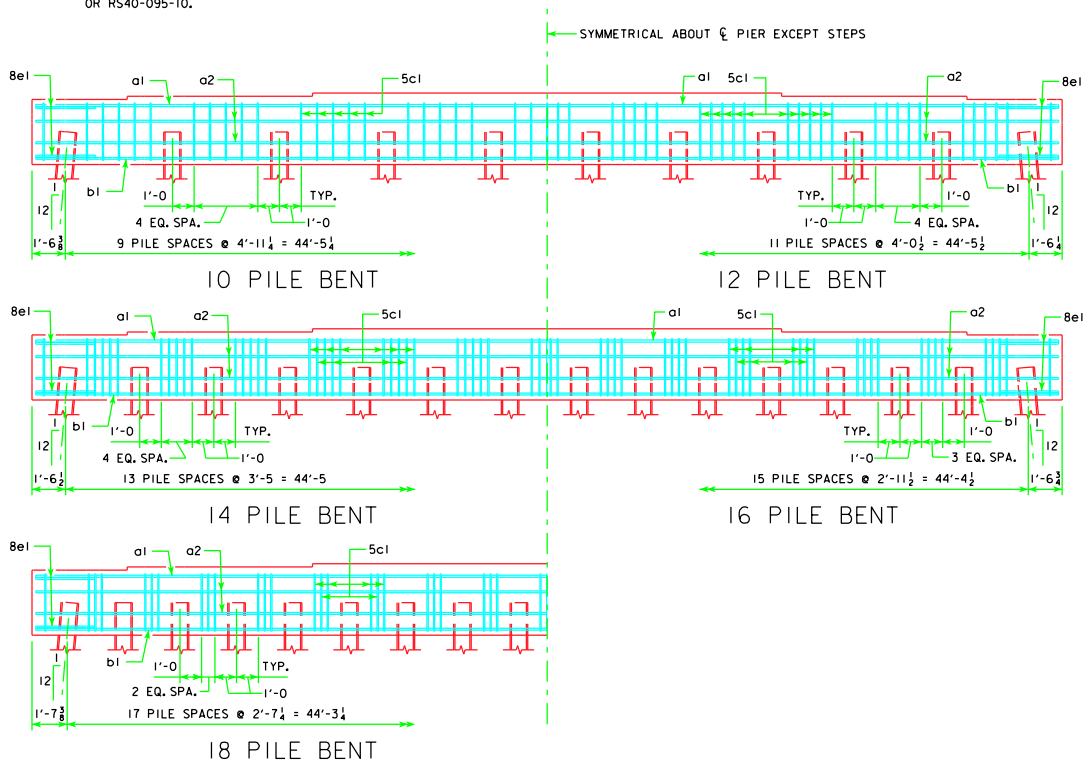
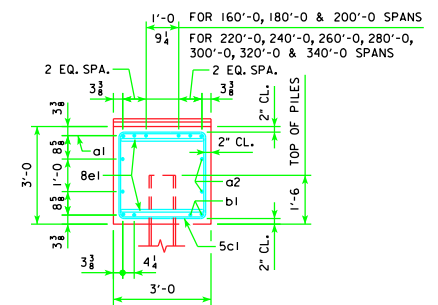


TYPICAL PLAN

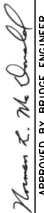

NOTE:
 THE HEIGHT OF THE STEPS ON THE BRIDGE SEAT IS EQUAL TO THE DIFFERENCE IN ELEVATIONS OF THE TOP OF SLAB AT ADJACENT BEAMS ALONG ζ PIER.
 ANCHOR BOLTS REQUIRED FOR FIXED PIER BEARINGS ONLY. FOR BOLT AND BEARING SIZES, SEE RS40-093-10, RS40-094-10 OR RS40-095-10.



VIEW A-A
 FOR 10 & 12 PILE BENTS



VIEW A-A
 FOR 14, 16 & 18 PILE BENTS

LATEST REVISION DATE	 APPROVED BY BRIDGE ENGINEER	 Iowa Department of Transportation Highway Division	
		STANDARD DESIGN - 40' ROADWAY, 3 SPAN BRIDGES ROLLED STEEL BEAM BRIDGES JUNE, 2010	
PILE BENT PIERS 30° SKEW		RS40-108-10	