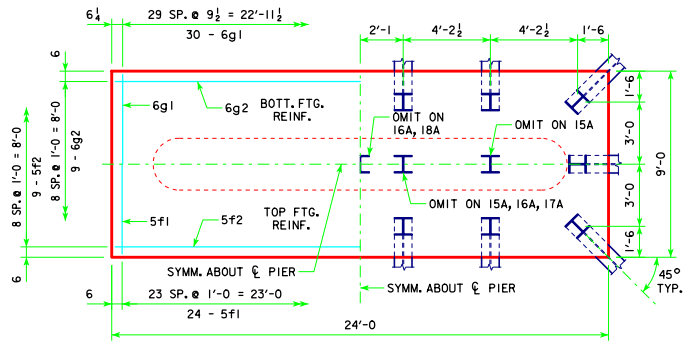
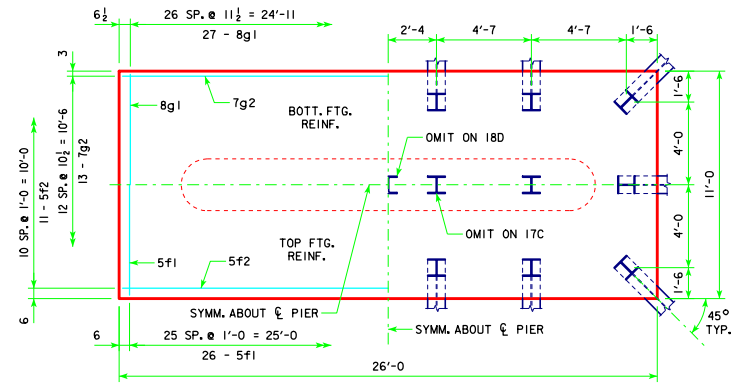


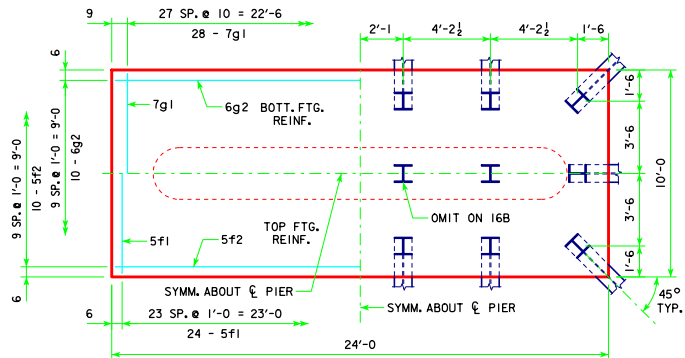
REVISED 05-13 - REVISION FOR LRFD PILE DESIGN.



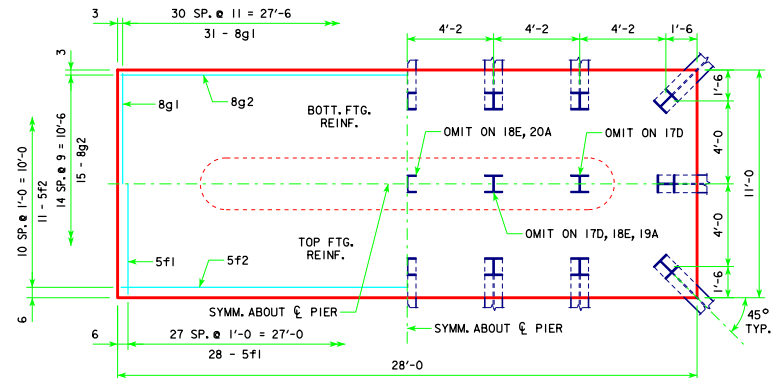
4'-0" x 9'-0" x 24'-0" FOR 15A, 16A, 17A & 18A



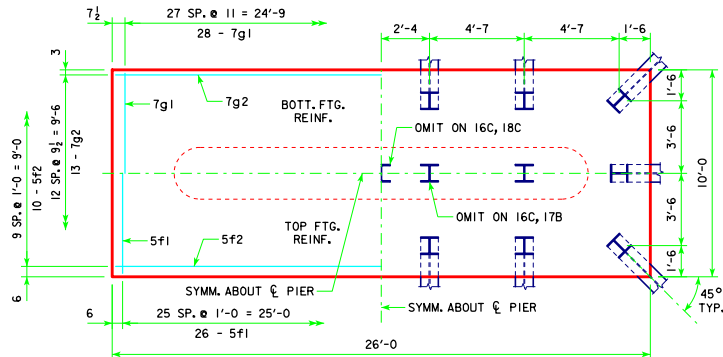
4'-0" x 11'-0" x 26'-0" FOR 17C & 18D



4'-0" x 10'-0" x 24'-0" FOR 16B & 18B

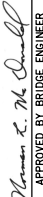



4'-0" x 11'-0" x 28'-0" FOR 17D, 18E, 19A, 20A & 21A



4'-0" x 10'-0" x 26'-0" FOR 16C, 17B & 18C

NOTE:
SEE SHEET RS40-118-10 FOR FOOTING NOTES.

LATEST REVISION DATE 05-13 APPROVED BY BRIDGE ENGINEER 	 Iowa Department of Transportation Highway Division
	STANDARD DESIGN - 40' ROADWAY, 3 SPAN BRIDGES ROLLED STEEL BEAM BRIDGES JUNE, 2010
TEE PIER-HPI0x57 SRL-1 STEEL PILE FOOTINGS 0° SKEW - SHEET 2	
RS40-119-10	