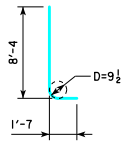
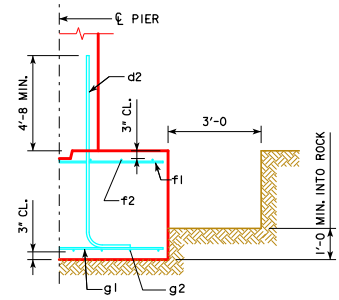
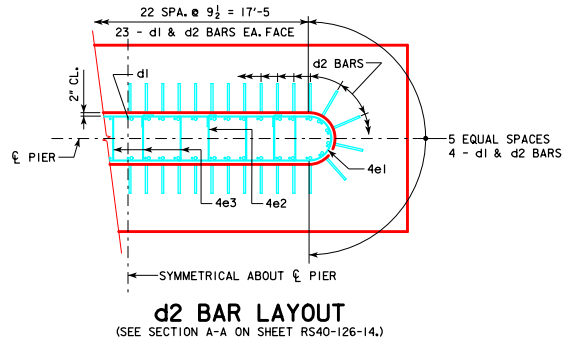


REVISED 02-2017 - CHANGED VERTICAL CLEARANCE OF REBAR "f2" TO TOP OF PIER FOOTING TO 3" WAS 2".

H IN FT.	CL - CL ABUT. BRG.	FOOTING SIZE
16 TO 18	160'-0"	4' x 8' x 26'
	180'-0"	4' x 9' x 26'
	200'-0"	4' x 9' x 28'
	220'-0"	4' x 10' x 28'
	240'-0"	4' x 10' x 30'
	260'-0"	4' x 10' x 30'
	280'-0"	4' x 11' x 30'
	300'-0"	4' x 11' x 32'
	320'-0"	4' x 11' x 32'
	340'-0"	4' x 11' x 32'
19 TO 21	160'-0"	4' x 8' x 26'
	180'-0"	4' x 9' x 26'
	200'-0"	4' x 9' x 28'
	220'-0"	4' x 10' x 28'
	240'-0"	4' x 10' x 30'
	260'-0"	4' x 10' x 30'
	280'-0"	4' x 11' x 30'
	300'-0"	4' x 11' x 30'
	320'-0"	4' x 11' x 30'
	340'-0"	4' x 11' x 30'
22 TO 24	160'-0"	4' x 8' x 26'
	180'-0"	4' x 9' x 26'
	200'-0"	4' x 9' x 28'
	220'-0"	4' x 10' x 28'
	240'-0"	4' x 10' x 30'
	260'-0"	4' x 10' x 30'
	280'-0"	4' x 11' x 30'
	300'-0"	4' x 11' x 30'
	320'-0"	4' x 11' x 30'
	340'-0"	4' x 11' x 30'
25 TO 27	160'-0"	4' x 9' x 26'
	180'-0"	4' x 9' x 28'
	200'-0"	4' x 10' x 28'
	220'-0"	4' x 10' x 28'
	240'-0"	4' x 11' x 30'
	260'-0"	4' x 11' x 30'
	280'-0"	4' x 11' x 30'
	300'-0"	4' x 11' x 30'
	320'-0"	4' x 11' x 30'
	340'-0"	4' x 11' x 32'
28 TO 30	160'-0"	4' x 9' x 26'
	180'-0"	4' x 9' x 28'
	200'-0"	4' x 10' x 28'
	220'-0"	4' x 10' x 28'
	240'-0"	4' x 10' x 28'
	260'-0"	4' x 10' x 30'
	280'-0"	4' x 10' x 30'
	300'-0"	4' x 11' x 30'
	320'-0"	4' x 11' x 30'
	340'-0"	4' x 11' x 32'
31 TO 33	160'-0"	4' x 9' x 26'
	180'-0"	4' x 9' x 28'
	200'-0"	4' x 10' x 28'
	220'-0"	4' x 10' x 28'
	240'-0"	4' x 11' x 30'
	260'-0"	4' x 11' x 30'
	280'-0"	4' x 11' x 30'
	300'-0"	4' x 11' x 30'
	320'-0"	4' x 11' x 30'
	340'-0"	4' x 11' x 32'
34 TO 36	160'-0"	4' x 9' x 26'
	180'-0"	4' x 9' x 28'
	200'-0"	4' x 10' x 28'
	220'-0"	4' x 10' x 28'
	240'-0"	4' x 10' x 30'
	260'-0"	4' x 10' x 30'
	280'-0"	4' x 11' x 30'
	300'-0"	4' x 11' x 30'
	320'-0"	4' x 11' x 30'
	340'-0"	4' x 11' x 32'

H IN FT.	CL - CL ABUT. BRG.	FOOTING SIZE
37 TO 40	160'-0"	4' x 9' x 26'
	180'-0"	4' x 9' x 28'
	200'-0"	4' x 10' x 28'
	220'-0"	4' x 10' x 28'
	240'-0"	4' x 10' x 30'
	260'-0"	4' x 10' x 30'
	280'-0"	4' x 11' x 30'
	300'-0"	4' x 11' x 30'
	320'-0"	4' x 11' x 30'
	340'-0"	4' x 11' x 32'

FOOTING SIZE	REINFORCING STEEL (ONE FOOTING)				TOTAL WEIGHT (L.B.)	STRUCTURAL CONCRETE (CY)
	BAR	NO., SIZE & SPACING	LENGTH	WEIGHT (L.B.)		
4' x 8' x 26'	d2	54 - #9 AS SHOWN	9'-11"	1821	2962	30.8
	f1	26 - #5 @ 1'-0"	7'-8"	208		
	f2	8 - #5 @ 1'-0"	25'-8"	214		
	g1	26 - #6 @ 1'-0"	7'-8"	299		
	g2	8 - #7 @ 1'-0"	25'-8"	420		
	d2	54 - #9 AS SHOWN	9'-11"	1821		
4' x 9' x 26'	f1	26 - #5 @ 1'-0"	8'-8"	235	3160	34.7
	f2	9 - #5 @ 1'-0"	25'-8"	241		
	g1	30 - #6 @ 0'-10 1/2"	8'-8"	391		
	g2	9 - #7 @ 1'-0"	25'-8"	472		
	d2	54 - #9 AS SHOWN	9'-11"	1821		
	f1	28 - #5 @ 1'-0"	8'-8"	253		
4' x 9' x 28'	f2	9 - #5 @ 1'-0"	27'-8"	260	3577	37.3
	g1	33 - #6 @ 0'-10"	8'-8"	430		
	g2	11 - #8 @ 0'-10"	27'-8"	813		
	d2	54 - #9 AS SHOWN	9'-11"	1821		
	f1	28 - #5 @ 1'-0"	9'-8"	282		
	f2	10 - #5 @ 1'-0"	27'-8"	289		
4' x 10' x 28'	g1	34 - #7 @ 0'-10"	9'-8"	672	3950	41.5
	g2	12 - #8 @ 0'-10"	27'-8"	886		
	d2	54 - #9 AS SHOWN	9'-11"	1821		
	f1	30 - #5 @ 1'-0"	9'-8"	302		
	f2	10 - #5 @ 1'-0"	29'-8"	309		
	g1	37 - #7 @ 0'-9 1/2"	9'-8"	731		
4' x 10' x 30'	g2	14 - #9 @ 0'-8 1/2"	29'-8"	1412	4575	44.4
	d2	54 - #9 AS SHOWN	9'-11"	1821		
	f1	30 - #5 @ 1'-0"	10'-8"	334		
	f2	11 - #5 @ 1'-0"	29'-8"	340		
	g1	37 - #8 @ 0'-9 1/2"	10'-8"	1054		
	g2	15 - #9 @ 0'-9"	29'-8"	1513		
4' x 11' x 30'	d2	54 - #9 AS SHOWN	9'-11"	1821	5062	48.9
	f1	32 - #5 @ 1'-0"	10'-8"	356		
	f2	11 - #5 @ 1'-0"	31'-8"	363		
	g1	39 - #8 @ 0'-9 1/2"	10'-8"	1111		
	g2	16 - #10 @ 0'-8"	31'-8"	2180		
	d2	54 - #9 AS SHOWN	9'-11"	1821		
4' x 11' x 32'	f1	32 - #5 @ 1'-0"	10'-8"	356	5831	52.1
	f2	11 - #5 @ 1'-0"	31'-8"	363		
	g1	39 - #8 @ 0'-9 1/2"	10'-8"	1111		
	g2	16 - #10 @ 0'-8"	31'-8"	2180		
	d2	54 - #9 AS SHOWN	9'-11"	1821		
	f1	32 - #5 @ 1'-0"	10'-8"	356		



NOTE: D = PIN DIAMETER. DIMENSIONS ARE OUT TO OUT.

NOTE: THE REINFORCING STEEL QUANTITY IS TO BE INCLUDED ON THE SUMMARY QUANTITIES SHEET IN THE PLAN.
NOTE: THE CONCRETE QUANTITY IS TO BE INCLUDED ON THE SUMMARY QUANTITIES SHEET IN THE PLAN.

FOOTING NOTES:

THESE SPREAD FOOTINGS ARE DESIGNED AND DETAILED TO BE USED WITH THE CAP AND COLUMN DETAILS OF THE TEE PIERS AS SHOWN ON SHEET RS40-126-14.
THESE SPREAD FOOTINGS SHALL EXTEND AT LEAST 12 INCHES INTO SUITABLE FOUNDATION ROCK AND THE LAST 12 INCHES OF ROCK EXCAVATION SHALL BE TO NEAT LINES OF MASONRY. THE FOUNDATION ROCK SHALL HAVE A MINIMUM LRFD NOMINAL BEARING RESISTANCE OF 30 KIPS PER SQUARE FOOT (ALLOWABLE BEARING VALUE OF AT LEAST 10 KIPS PER SQUARE FOOT).

02-2017 LATEST REVISION DATE Approved by BRIDGE ENGINEER 		
	STANDARD DESIGN - 40' ROADWAY, 3 SPAN BRIDGES ROLLED STEEL BEAM BRIDGES OCTOBER, 2014	
	TEE PIER - SPREAD FOOTINGS 10° SKEW - SHEET 1	RS40-134-14