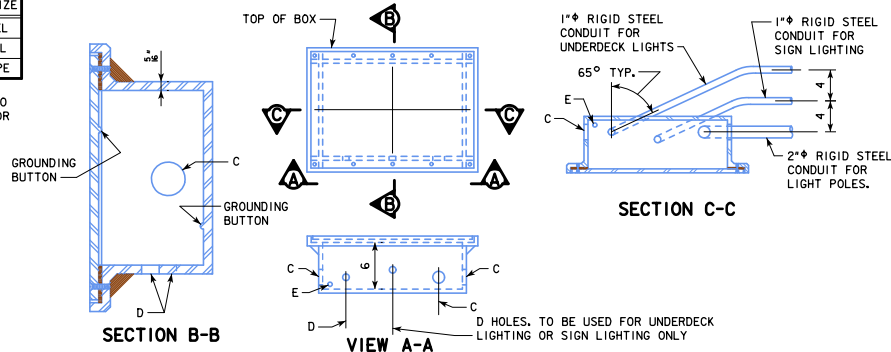


REVISED 08-14 - THE REFERRAL TO THE STANDARD ROAD PLAN FOR THE JUNCTION BOX WAS CHANGED TO LI-104.
REVISED 10-2016 - UPDATED LI-104 JUNCTION BOX DETAIL.

BOSSED FOR	HOLE	FOR CONDUIT SIZE
5 THREADS	C	2" RIGID STEEL
NONE	D	1" RIGID STEEL
NONE	E	1/2" COPPER PIPE

NOTE:
THE GROUNDING BUTTONS ARE TO BE BLIND DRILLED AND TAPPED FOR 3/8" x 0'-0 1/2" BOLTS.



LI-104 JUNCTION BOX
WATERTIGHT, CAST IRON - FLUSH MOUNT

LIGHTING NOTES:

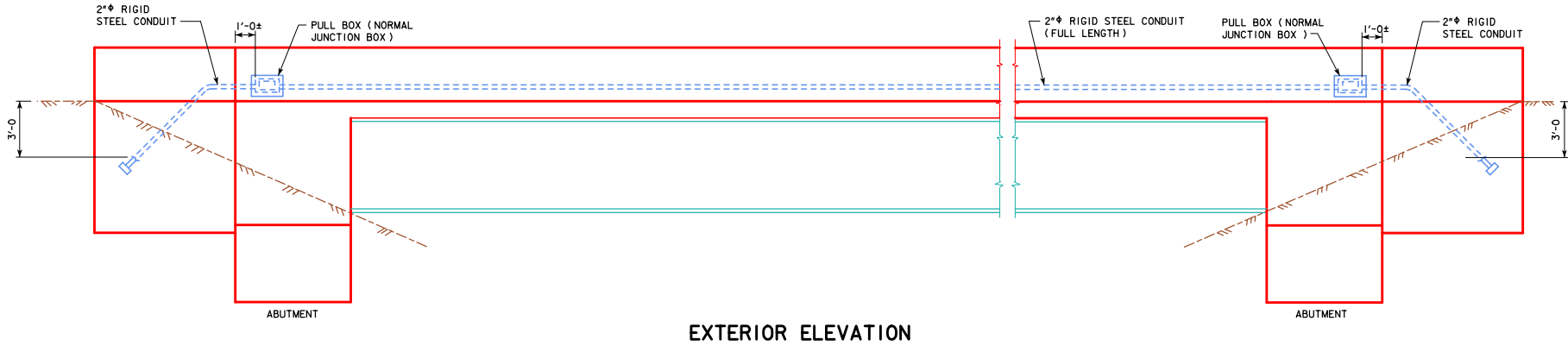
SEE LI-104 STANDARD ROAD PLAN FOR ADDITIONAL INFORMATION ON JUNCTION BOXES.

CONSTRUCTION SHALL CONFORM TO THE CURRENT IOWA D.O.T. STANDARD AND SUPPLEMENTAL SPECIFICATIONS AND SPECIAL PROVISIONS.

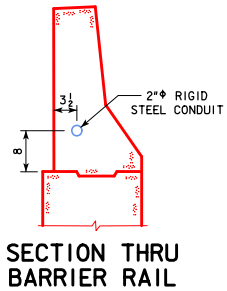
CONDUIT INSTALLATION SHALL BE IN ACCORDANCE WITH ARTICLE 2523.03, N, OF THE STANDARD SPECIFICATIONS.

ALL "C" ENTRANCE HOLES IN JUNCTION BOXES SHALL BE DRILLED AND TAPPED FOR THE SPECIFIED CONDUIT SIZE. ALL OTHER HOLES SHALL HAVE A CONCRETE - TIGHT SLIP FIT. CONDUIT ENDS SHALL NOT PROTRUDE INTO JUNCTION BOX MORE THAN 1/4". DRAIN PIPE END SHALL BE FLUSH WITH INSIDE SURFACE OF BOX. GROUNDING BUTTONS SHALL BE LOCATED APPROXIMATELY 3" FROM THE INSIDE SURFACE OF THE BOX WALL, AND NOT CLOSER THAN 3" TO THE EDGE OF ANY HOLE IN THE BOX FLOOR. HOLES FOR DRAIN PIPE SHALL BE PLACED IN THE LOW CORNER OF THE BOX, WITH A MINIMUM CLEARANCE OF 1" BETWEEN THE EDGE OF THE HOLE AND THE INSIDE SURFACE OF THE BOX WALL. TYPICAL DETAILS ARE SHOWN ON THIS SHEET.

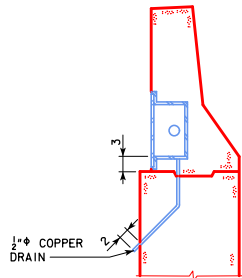
THE RIGID STEEL CONDUIT, JUNCTION BOXES AND FITTINGS INCLUDING LABOR AND ANY ADDITIONAL WORK TO DO THE INSTALLATION IS CONSIDERED INCIDENTAL TO THE COST OF THE RAILING.



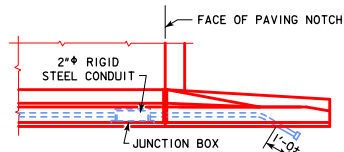
EXTERIOR ELEVATION



SECTION THRU BARRIER RAIL



SECTION THRU JUNCTION BOX



PART PLAN AT WING

10-2016 LATEST REVISION DATE	APPROVED BY BRIDGE ENGINEER <i>Norman E. McQuinn</i>		
		STANDARD DESIGN - 40' ROADWAY, 3 SPAN BRIDGES ROLLED STEEL BEAM BRIDGES JUNE, 2010	
		JUNCTION BOX AND CONDUIT DETAILS SHEET 1	RS40-091-10