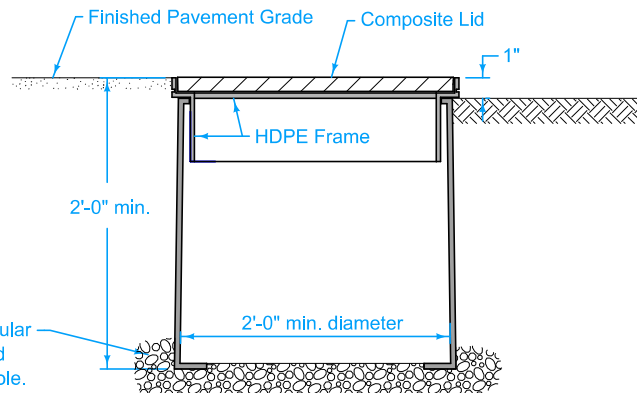


PRECAST CONCRETE HANDHOLE (TYPE I)

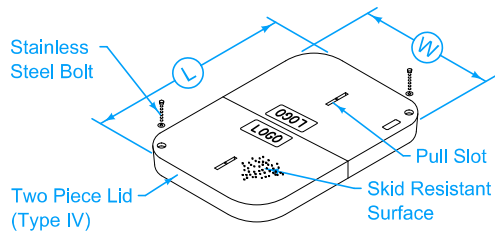
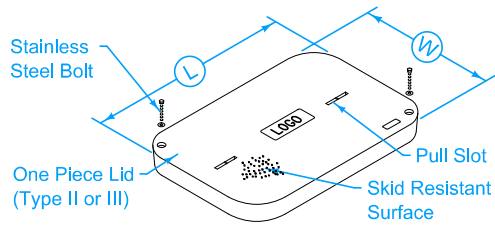


HDPE HANDHOLE (TYPE V)

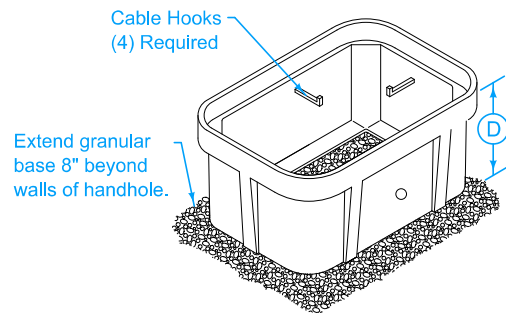
Extend 8" granular base 6" beyond walls of handhole.

FIGURE 8010.103 SHEET 1 OF 2

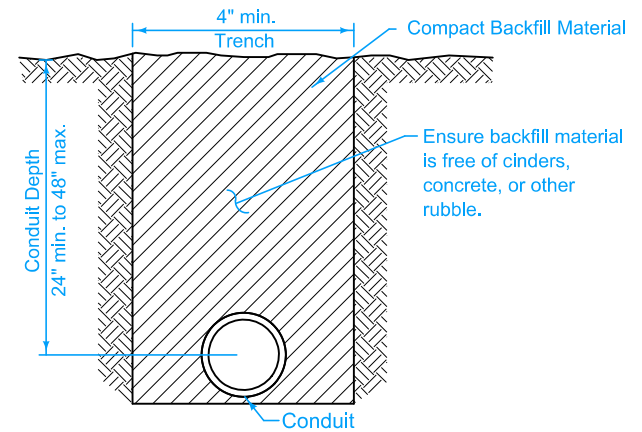
| | | |
|--|--------------------|---|
| SUDAS | IOWADOT | REVISION |
| | | 1 04-20-21 |
| FIGURE 8010.103 | STANDARD ROAD PLAN | LI-103 |
| | | SHEET 1 of 2 |
| REVISIONS: Added the HDPE handhole to the precast concrete and composite ones. | | |
| <i>Paul D. Wigand</i> SUDAS DIRECTOR | | <i>Stuart Nade</i> DESIGN METHODS ENGINEER |
| CONDUIT AND PRECAST HANDHOLES | | |



| HANDHOLE DIMENSIONS TABLE (NOMINAL) | | | |
|--|-----|-----|-----|
| TYPE | L | W | D |
| II | 30" | 17" | 24" |
| III | 36" | 24" | 30" |
| IV | 48" | 30" | 36" |



PRECAST CONCRETE COMPOSITE HANDHOLE



CONDUIT IN TRENCH

| | | |
|--|--------------------|--|
| | | REVISION |
| | | 1 04-20-21 |
| FIGURE 8010.103 | STANDARD ROAD PLAN | LI-103 |
| | | SHEET 2 of 2 |
| REVISIONS: Added the HDPE handhole to the precast concrete and composite ones. | | |
| <i>Paul D. Wigand</i> SUDAS DIRECTOR | | <i>Steve Miller</i> DESIGN METHODS ENGINEER |
| CONDUIT AND PRECAST HANDHOLES | | |