

TYPICAL SECTION

Adjacent walls may have different widths based upon pipe configuration, but structure must be rectangular.

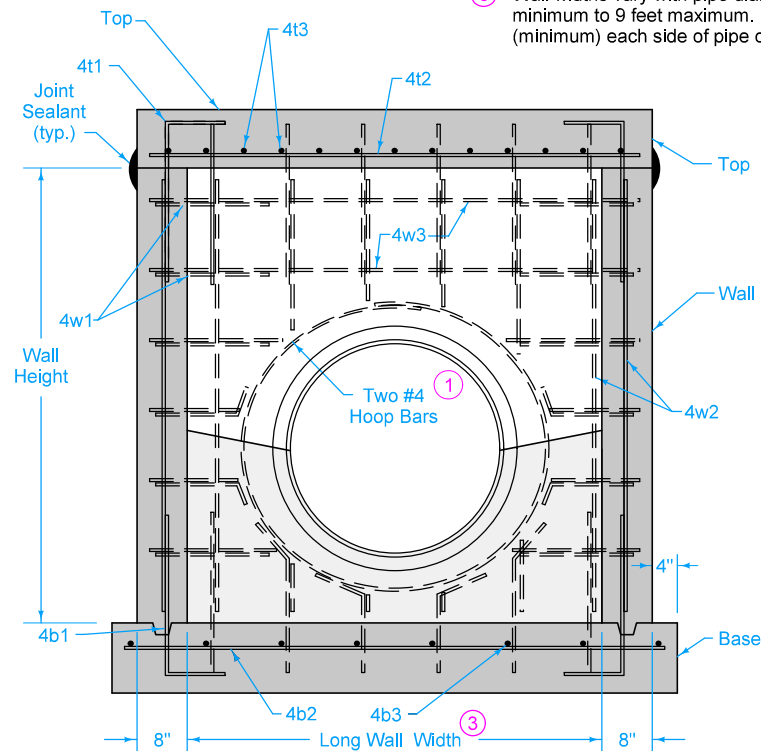
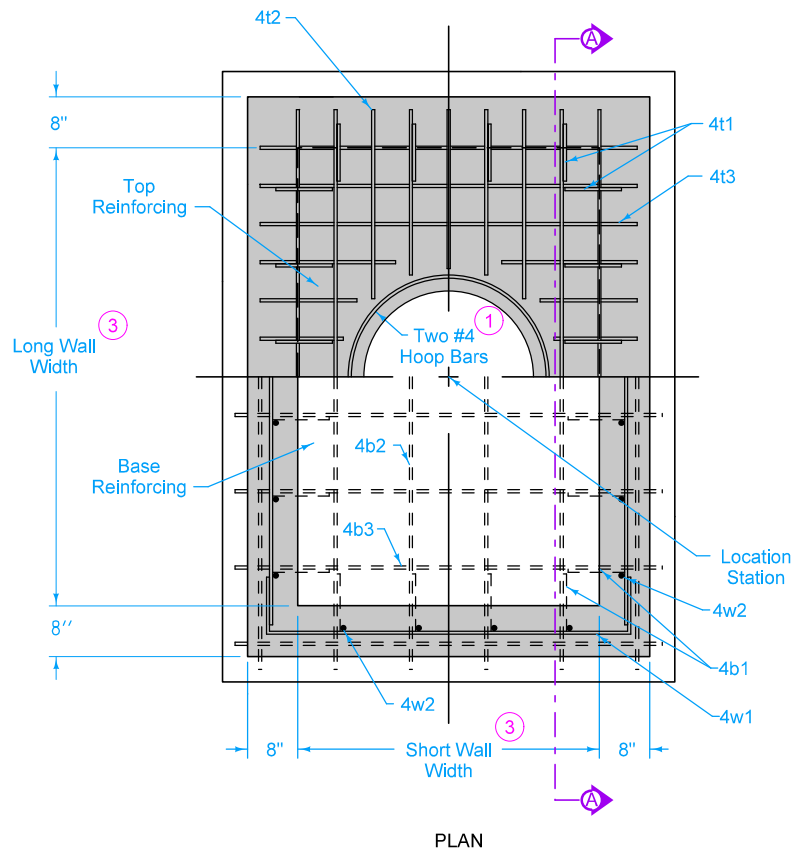
Install infiltration barrier.

- ① Provide two #4 hoop bars at top opening and at all pipe openings.
- ② Cast-in-place base shown. If base is precast integral with walls, the footprint of the base is not required to extend beyond the outer edge of the walls.
- ③ Wall widths vary with pipe diameter and range from 4 feet minimum to 9 feet maximum. Provide 12 inches of wall width (minimum) each side of pipe opening.
- ④ 12 inch minimum wall height above all pipe openings.

If manhole depth exceeds 20 feet, install steps.

FIGURE 6010.302 SHEET 1 OF 2

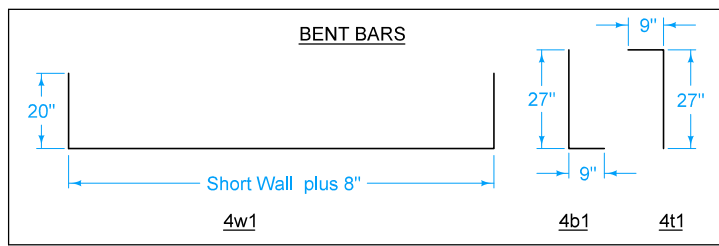
SUDAS IOWADOT	REVISION	3	04-20-21
	FIGURE 6010.302	STANDARD ROAD PLAN	SW-302
REVISIONS: Added Infiltration barrier note.			SHEET 1 of 2
Paul D. Wigand SUDAS DIRECTOR		Shant Nade DESIGN METHODS ENGINEER	
RECTANGULAR SANITARY SEWER MANHOLE			



- ① Provide two #4 hoop bars at top opening and at all pipe openings.
- ② Cast-in-place base shown. If base is precast integral with walls, the footprint of the base is not required to extend beyond the outer edge of the walls.
- ③ Wall widths vary with pipe diameter and range from 4 feet minimum to 9 feet maximum. Provide 12 inches of wall width (minimum) each side of pipe opening.

PLAN

SECTION A-A



REINFORCING BAR LIST					
Mark	Size	Location	Shape	Length	Spacing
4b1	4	Base	└	36"	12"
4b2	4	Base	—	Long Wall plus 18"	12"
4b3	4	Base	—	Short Wall plus 18"	12"
4t1	4	Top	┌	36"	12"
4t2	4	Top	—	Long Wall plus 12"	6"
4t3	4	Top	—	Short Wall plus 12"	6"
4w1	4	Wall	┌	Short Wall plus 48"	12"
4w2	4	Wall	—	Wall Height minus 4"	12"
4w3	4	Wall	—	Long Wall plus 12"	12"

FIGURE 6010.302 SHEET 2 OF 2

		REVISION
		3 04-20-21
FIGURE 6010.302	STANDARD ROAD PLAN	SW-302
REVISIONS: Added infiltration barrier note.		SHEET 2 of 2
SUDAS DIRECTOR		DESIGN METHODS ENGINEER
RECTANGULAR SANITARY SEWER MANHOLE		