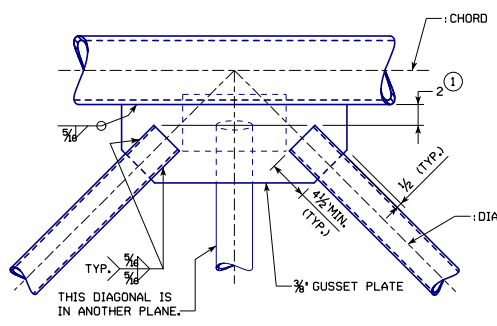
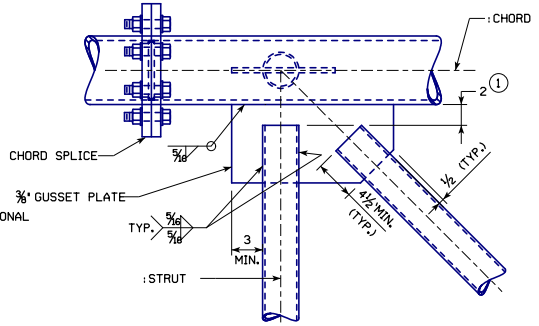


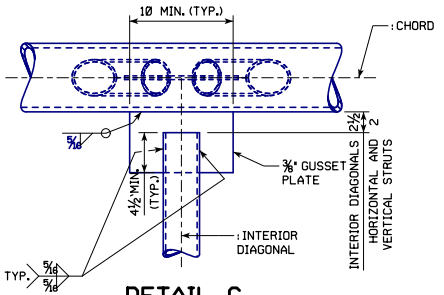
3/4" REVISION 03-2014: MODIFIED DETAIL E NOTES TO CLARIFY THAT 1/4" x 3/4" HOLE IS AT END OF 1/16" SLOT IN PIPE FOR 3/8" GUSSET PLATE. CLARIFIED ACCEPTABLE HARDNESS OF NEOPRENE PAD. REPLACE NOTE IDENTIFIER ASTRISKS AND TRIANGLES WITH ENCLOSED NUMBERS TO IMPROVE READABILITY. UPDATED BRIDGE ENGINEER SIGNATURE.
 3/4" REVISION 04-2020: REPLACED DETAIL D NOTE IDENTIFIER ASTRISK WITH ENCLOSED NUMBER TO IMPROVE READABILITY. LENGTHENED DIMENSIONAL EXTENSION LINE IN DETAILS A AND B TO CLARIFY 2" DISTANCE BETWEEN END OF WEB MEMBERS AND CHORD. LENGTHENED DIMENSIONAL EXTENSION LINE IN SLOTTED-PIPE-ENDS DETAIL TO CLARIFY THAT DIMENSIONAL EXTENSION LINE IS TANGENT TO 3/8" STEEL OVERHEAD SIGN TRUSS. - SOST-08-11 - THIS SHEET ISSUED 03-2011.



DETAIL A

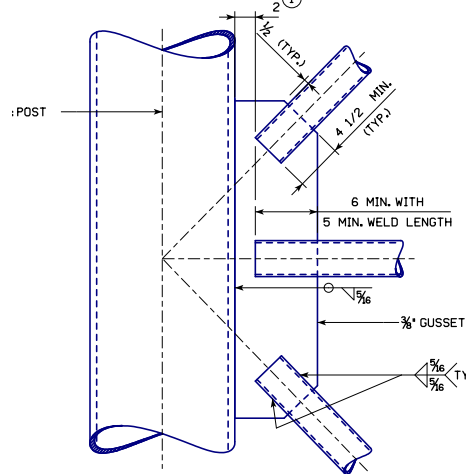


DETAIL B

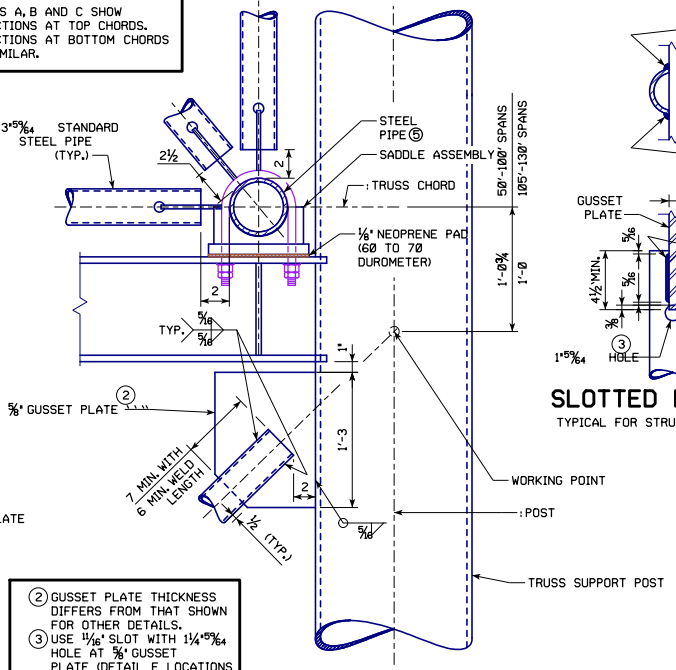


DETAIL C

DETAILS A, B AND C SHOW CONNECTIONS AT TOP CHORDS. CONNECTIONS AT BOTTOM CHORDS ARE SIMILAR.

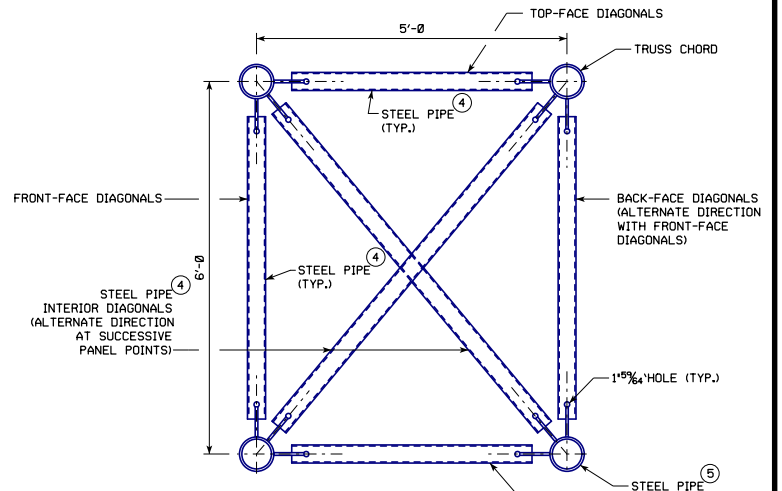


DETAIL D



DETAIL E

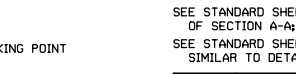
- ② GUSSET PLATE THICKNESS DIFFERS FROM THAT SHOWN FOR OTHER DETAILS.
- ③ USE 1/16" SLOT WITH 1 1/4" x 5/8" HOLE AT 3/8" GUSSET PLATE (DETAIL E LOCATIONS ONLY).



SECTION A-A

TRUSS PIPE DETAILS		
SPAN	④ TRUSS DIAGONALS	⑤ TRUSS CHORDS
50'-100'	3 5/8" STANDARD STEEL PIPE	5 5/8" EXTRA-STRONG STEEL PIPE
105'-130'	3 5/8" EXTRA-STRONG STEEL PIPE	6 5/8" EXTRA-STRONG STEEL PIPE

SLOTTED PIPE ENDS
TYPICAL FOR STRUTS AND DIAGONALS



SEE STANDARD SHEETS SOST-02-11, SOST-03-11, SOST-04-11 AND SOST-05-11 FOR LOCATIONS OF SECTION A-A; DETAILS A, B AND C; AND DETAIL SIMILAR TO DETAIL A.
 SEE STANDARD SHEETS SOST-06-11 AND SOST-07-11 FOR LOCATIONS OF DETAILS THAT ARE SIMILAR TO DETAILS B AND C AND LOCATIONS OF DETAILS D AND E.

04-2020 LATEST REVISION DATE APPROVED BY BRIDGE ENGINEER	 STANDARD DESIGN	
	STEEL OVERHEAD SIGN TRUSS SEPTEMBER, 2011	
	GUSSET PLATE CONNECTIONS 50'-130' SPANS	SOST-08-11