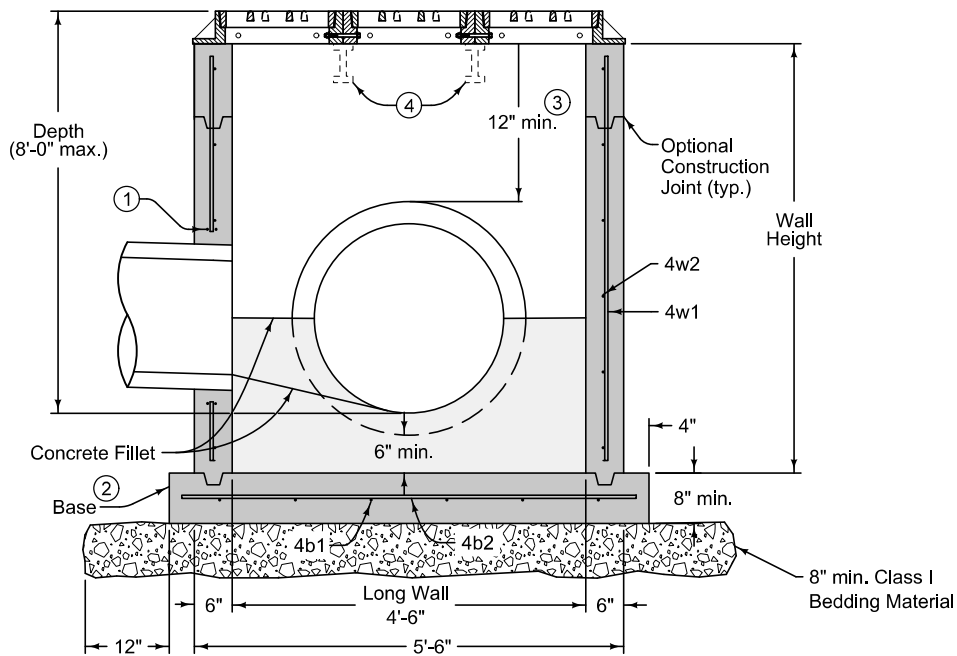


- ① Provide two #4 hoop bars at all pipe openings.
- ② Cast-in-place base shown. If base is precast integral with walls, the footprint of the base is not required to extend beyond the outer edge of the walls.
- ③ 12 inch minimum wall height above all pipes.
- ④ If required by casting manufacturer, provide support beam under all frame joints. Modify structure walls as required to provide pocket for beam.

FIGURE 6010.515 SHEET 1 OF 2

SUDAS	IOWADOT	REVISION
		New 04-21-20
FIGURE 6010.515	STANDARD ROAD PLAN	SW-515
		SHEET 1 of 2
REVISIONS: New.		
Paul D. Wigand SUDAS DIRECTOR		Scott Miller DESIGN METHODS ENGINEER
TRIPLE RECTANGULAR AREA INTAKE		



SECTION B-B

- ① Provide two #4 hoop bars at all pipe openings.
- ② Cast-in-place base shown. If base is precast integral with walls, the footprint of the base is not required to extend beyond the outer edge of the walls.
- ③ 12 inch minimum wall height above all pipes.
- ④ If required by casting manufacturer, provide support beam under all frame joints. Modify structure walls as required to provide pocket for beam.

REINFORCING BAR LIST						
Mark	Size	Location	Shape	Count	Length	Spacing
4b1	4	Base	—	6	3'-6"	12"
4b2	4	Base	—	4	5'-8"	12"
4w1	4	Walls	—	20	Wall Height minus 4"	12"
4w2	4	Short Wall	—	Varies	3'-0"	12"
4w3	4	Long Wall	—	Varies	5'-2"	12"

MAXIMUM PIPE DIAMETERS		
Pipe Location	Precast Structure	Cast-in-place Structure
Short Wall	18"	21"
Long Wall	36"	42"

FIGURE 6010.515

SHEET 2 OF 2

SUDAS IOWADOT	REVISION	New	04-21-20
	FIGURE 6010.515	STANDARD ROAD PLAN	SW-515
REVISIONS: New.			SHEET 2 of 2
Paul D. Wigand <small>SUDAS DIRECTOR</small>		Steve Miller <small>DESIGN METHODS ENGINEER</small>	
TRIPLE RECTANGULAR AREA INTAKE			