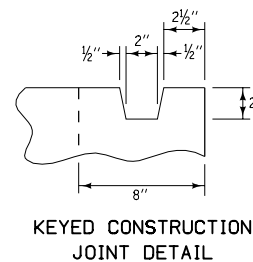
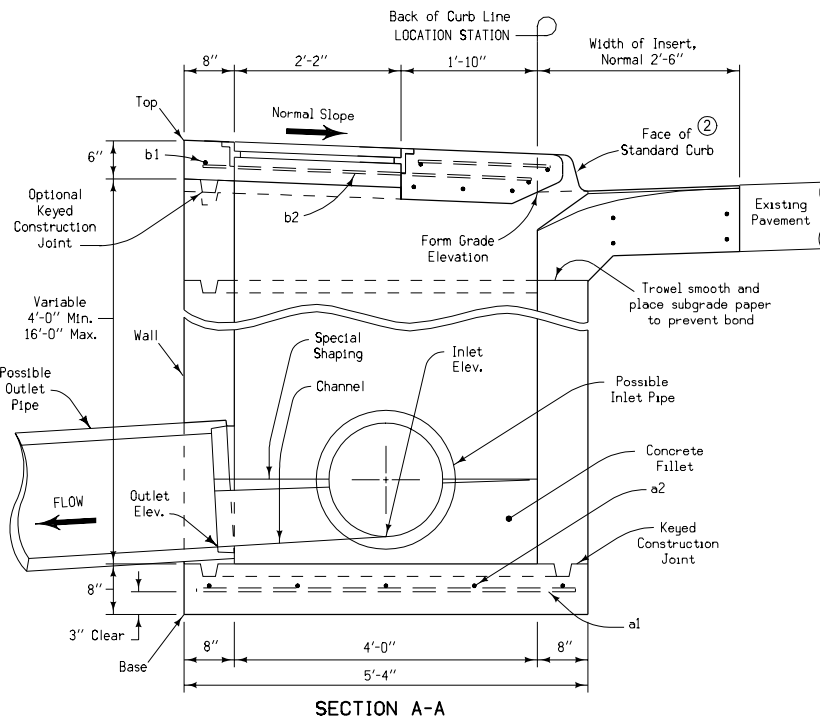


Contract Item:
Intake, RA-40
Tabulation: 104-5B

- ① 2:1 slope (horizontal:vertical)
- ② Dimensions shown are for the construction of a 6 inch standard curb as part of the pavement. Modifications may be made to conform to other curb shapes.



For joint details, see Standard Road Plans RH-50, RH-51, and RH-52.

Placing sequence: 1. Base; 2. Walls; 3. Insert; 4. Top

REINFORCING BAR LIST							
MARK	SIZE	LOCATION	SHAPE	NO.	LENGTH	WEIGHT	SPACING
a1	4	Base	—	5	5'-0"	16.7	14"
a2	4	Base	—	5	5'-0"	16.7	14"
b1	4	Top	—	7	5'-0"	23.4	See Detail
b2	4	Top	—	4	4'-4"	11.6	See Detail
b3	4	Top	—	8	1'-10"	9.8	See Detail
c1	4	Insert	—	4	10'-4"	27.6	See Detail
					19'-4"	51.6	
					Total	106 lbs.	130 lbs.

Iowa Department of Transportation
Highway Division

STANDARD ROAD PLAN RA-40

REVISION: Modify special shaping dimension on insert detail. REVISION NO. 3

William J. Allen
APPROVED BY DESIGN METHODS ENGINEER REVISION DATE 10-18-05

**CURB INTAKE
(BEHIND CURB)**