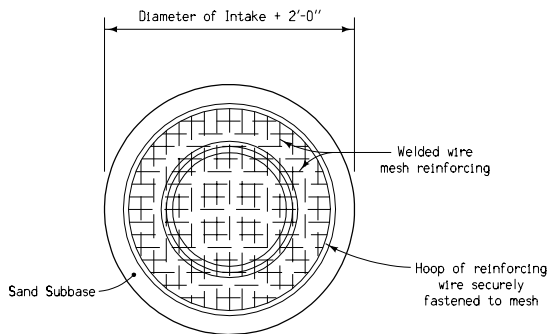
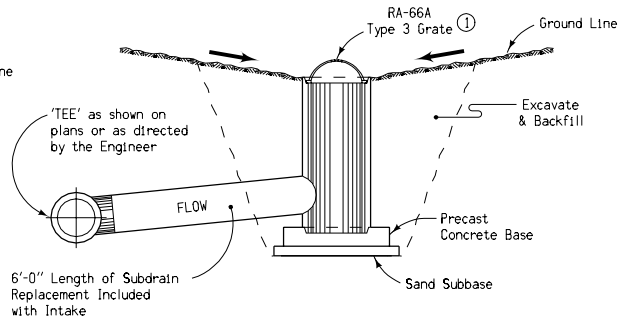


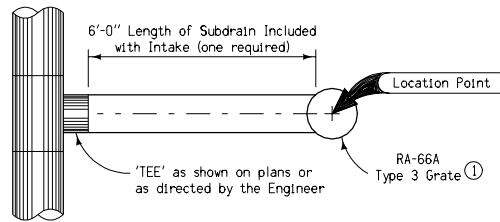
SECTION OF INTAKE



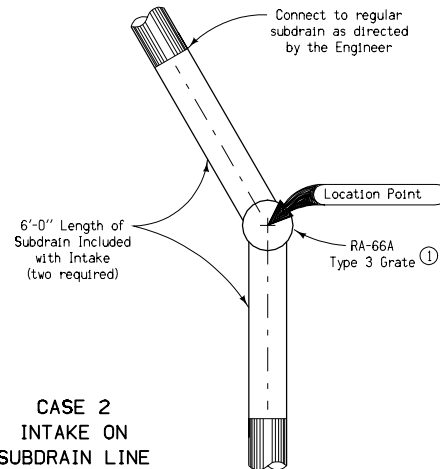
PLAN OF PRECAST CONCRETE BASE



TYPICAL INSTALLATION EXCAVATION AND BACKFILL



CASE 1 INTAKE OFFSET FROM SUBDRAIN LINE



CASE 2 INTAKE ON SUBDRAIN LINE

OPEN DITCH INTAKE		
	D1 (2)	D2 (2)
Size A	18"	12"
Size B	24"	18"

Precast base shall be constructed using welded wire mesh reinforcing WWF 4" x 4" - W2.9, or equivalent. Groove portion of base shall be carefully constructed to ensure correct installation of intake well.

The well portion of the RA-63 Intake shall consist of 1500D concrete culvert pipe modified as indicated hereon. Opening may be formed when pipe is cast or may be cut out to desired elevation after pipe is complete. Opening shall be neatly shaped. Wire mesh may be left in place and cut to size when outlet pipe is installed. Subdrain pipe shall be smoothly grouted into opening.

Price bid for "RA-63 Intake" shall be full compensation for furnishing all materials and constructing intake as detailed hereon.

Excavation and backfill will not be classified, measured or paid for separately but shall be considered incidental to and included with the price bid for the intakes.

When the RA-63 Intake is used in conjunction with installation of tile subdrain either one or two sections as required (See Case 1 or Case 2) of concrete culvert pipe or corrugated metal pipe of proper size shall be placed at the intake as shown.

- ① When intake is used in a location where adjacent surface area is paved, use a RA-66C Type 4 Grate.
- ② Nominal inside diameter.

Contract Item:  
-Intake, RA-63

Incidental Items:  
-Excavation  
- Up to 12 feet of RCP or CMP Subdrain, depending on case

Tabulations:  
104-5  
104-5A  
104-5B

	REVISION	
	1	10-17-06
<b>STANDARD ROAD PLAN</b>		<b>RA-63</b>
REVISIONS: Added Contract Item Information. Removed Unnecessary Notes.		SHEET 1 of 1
APPROVED BY DESIGN METHODS ENGINEER <i>Deanna Mayfield</i>		
<b>OPEN DITCH INTAKE (BEEHIVE) FOR TILE DRAIN</b>		