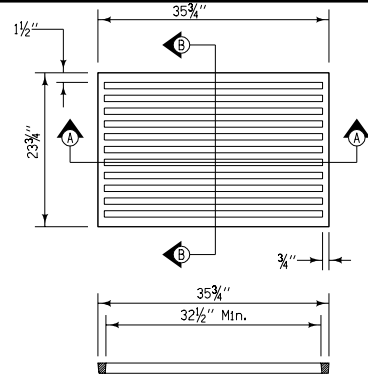


SECTION A-A

SECTION B-B

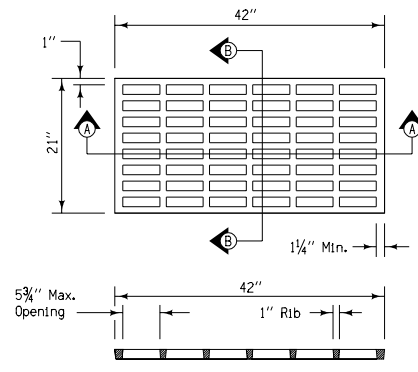
TYPE 2 GRATE
Minimum Weight = 210 lbs.



SECTION A-A

SECTION B-B

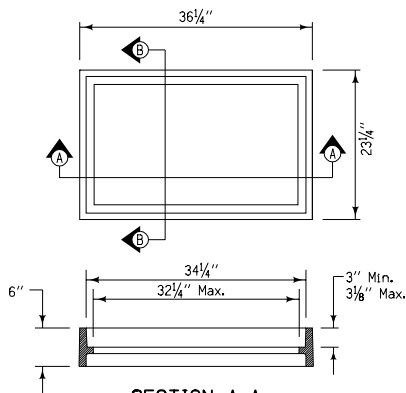
TYPE 7 GRATE
Minimum Weight = 175 lbs.



SECTION A-A

SECTION B-B

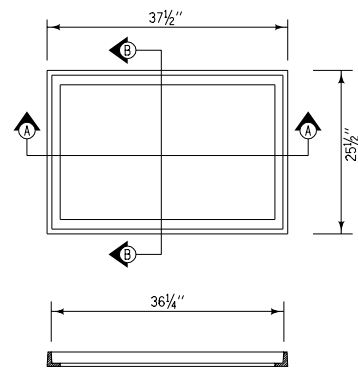
TYPE 8 GRATE
Minimum Weight = 150 lbs.



SECTION A-A

SECTION B-B

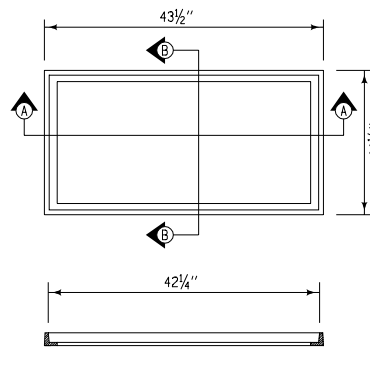
TYPE 2 FRAME
Minimum Weight = 200 lbs.



SECTION A-A

SECTION B-B


TYPE 7 FRAME
Minimum Weight = 60 lbs.



SECTION A-A

SECTION B-B

TYPE 8 FRAME
Minimum Weight = 60 lbs.

 Iowa Department of Transportation Highway Division	
STANDARD ROAD PLAN RA-66B	
REVISION: Remove General Notes.	REVISION NO. 2
<i>William J. Sten</i> APPROVED BY DESIGN METHODS ENGINEER	REVISION DATE 10-19-04
INTAKE GRATES TYPES 2, 7, AND 8	