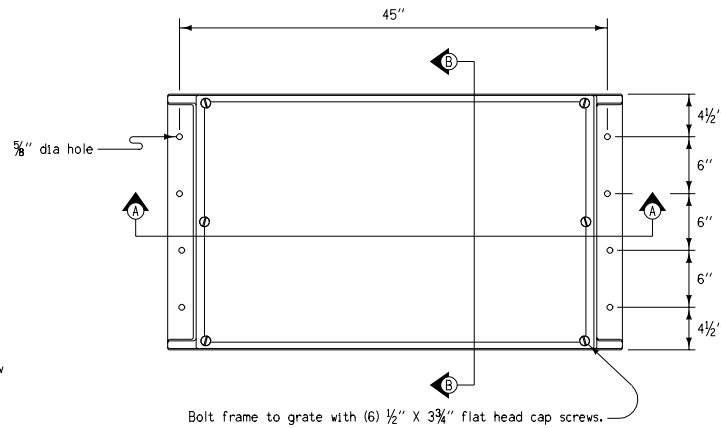


PLAN

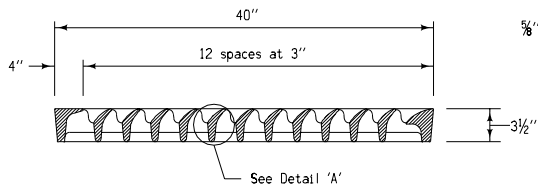


PLAN

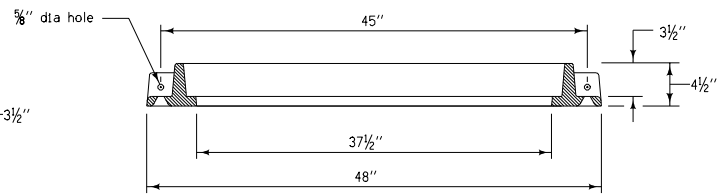
Bolt frame to grate with (6) 1/2" X 3/4" flat head cap screws.

GENERAL NOTES:

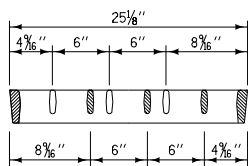
The frame castings shall be ductile iron as specified in ASTM A 536, 45 + KSI yield.



SECTION A-A

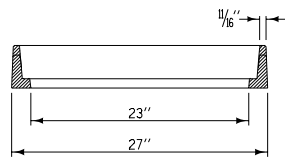


SECTION A-A



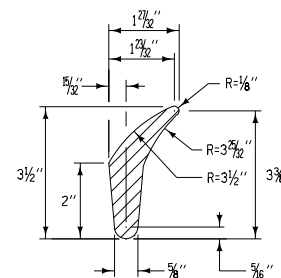
SECTION B-B

TYPE 11 GRATE
Minimum Weight = 340 lbs.



SECTION B-B

TYPE 11 FRAME
Minimum Weight = 224 lbs.



DETAIL 'A'

STANDARD ROAD PLAN RA-66D	
REVISION: Remove some General Notes.	REVISION NO. 3
<i>William J. Stein</i> APPROVED BY DESIGN METHODS ENGINEER	REVISION DATE 10-19-04
INTAKE FRAME AND GRATE TYPE 11	