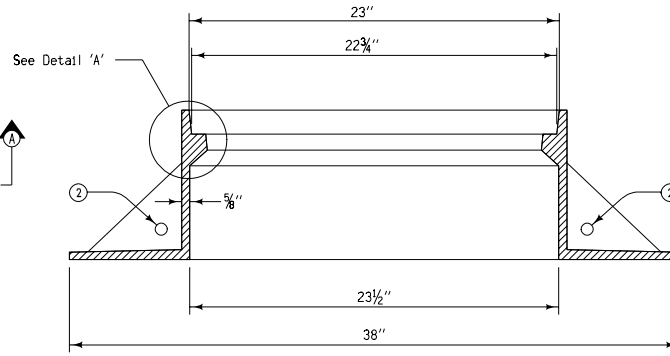
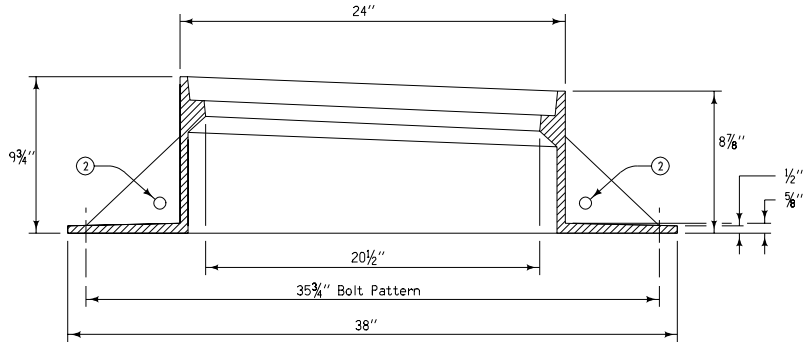


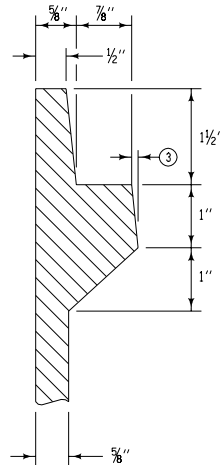
PLAN



SECTION A-A



SECTION B-B




DETAIL 'A'

- ① Provide 9/16" diameter holes at locations indicated.
- ② Drill or Core 3/4" holes.
- ③ DRAFT (Small Casting Taper) will be permitted.

Minimum Weight = 210 lbs.

See Standard Road Plan RA-67A for details of Type 10 Grate.

 Iowa Department of Transportation Highway Division	
STANDARD ROAD PLAN RA-67B	
REVISION: Remove General Notes	REVISION NO. 2
<i>William J. Stein</i> APPROVED BY DESIGN METHODS ENGINEER	REVISION DATE 10-19-04
FRAME FOR TYPE 10 GRATE	