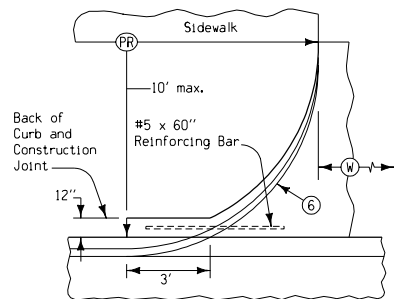
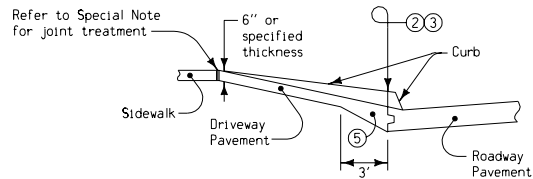


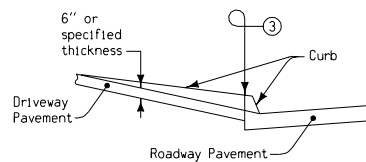
CASE 1 ENTRANCE



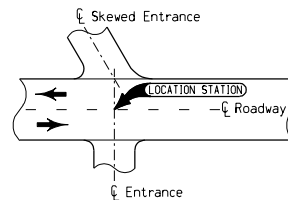
DETAIL 'A'
CASE 1 ENTRANCE



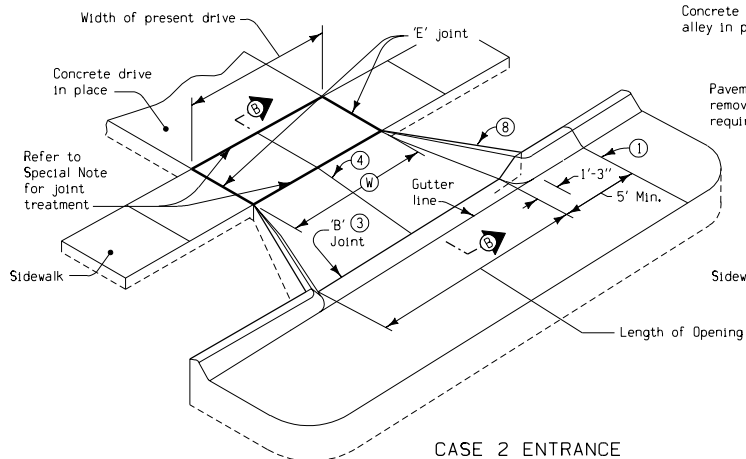
TYPICAL SECTION A-A
(Case 1 Entrance)



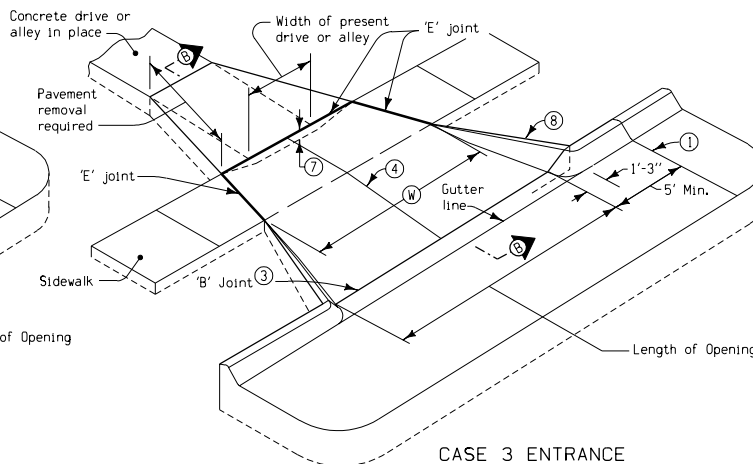
TYPICAL SECTION B-B
(Case 2 or 3 Entrance)



ENTRANCE LOCATION DETAILS



CASE 2 ENTRANCE



CASE 3 ENTRANCE

GENERAL NOTES:

Construction details shown hereon are for urban type driveways and alleys. Special details for entrances other than Case 1, 2 or 3 are included in the detail plans. The shape and surface of driveways and alleys will vary to fit individual conditions.

Concrete for driveways and alleys shall be pavement mix, unreinforced (except when replacing reinforced driveways or alleys), with a minimum thickness of 6 inches, unless specified otherwise. If an alley drains toward roadway, use a minimum of 2 inch inverted crown; otherwise, use flat surface for driveway pavement.

Sidewalk which is constructed within the limits of the driveway shall be the same thickness as the driveway, and shall have a maximum 2% cross-slope.

The width of an entrance proposed for construction with either a radius return (Case 1 entrance) or a flared return (Case 2 or 3 entrance) shall be measured at a point 10 feet back from the roadway curb. The curb opening may exceed the maximum allowable width of the entrance to accommodate the allowable radius or flare.

Refer to detail plans for specific details on limits, Width (W), Pavement Radius (PR) and type of each drive.

Price bid per square yard for "P.C. Concrete Drives" shall be considered full compensation for construction of alleys and drives as detailed hereon, as required by detail project plans, or as directed by the Engineer.

SPECIAL NOTE (Case 1 and Case 2 entrances):

If the sidewalk is in place at the time of construction, 'E' Joint shall be placed along the front edge of the sidewalk. If the sidewalk is reconstructed with the driveway entrance, an 'E' Joint shall be placed along the back edge of the sidewalk and a 'C' Joint sawed or formed along the front edge of the sidewalk. Refer to Standard Road Plans RH-50, RH-51 and RH-52 for joint details.

- ① Transverse Pavement Joints as per detail Project Plans.
- ② 'K' Pavement Joint (See RH-51 for Details) from end of radius to end of radius.
- ③ Line at the Back of Curb.
- ④ 'C' Joint on Centerline.
- ⑤ Taper to Pavement Thickness.
- ⑥ Lip curb varies from either 1 1/2" or 3" at back of curb (see Tabulation 102-3) to 0" at front of sidewalk.
- ⑦ Minimum of 2" inverted crown if alley drains toward roadway.
- ⑧ Flared return shall be constructed at a 2:1 ratio, with the "2" value measured on a line parallel to entrance centerline.

Iowa Department of Transportation Project Development Division	
STANDARD ROAD PLAN	RB-3
REVISION: Show Length of Opening and note 6 for Case 1 Entrance.	REVISION NO. 12
<i>David P. Keith</i> APPROVED BY DESIGN METHODS ENGINEER	09-14-98 REVISION DATE 01-12-99

CONCRETE DRIVES AND ALLEYS