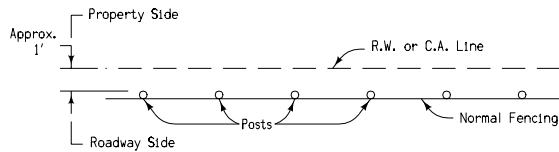
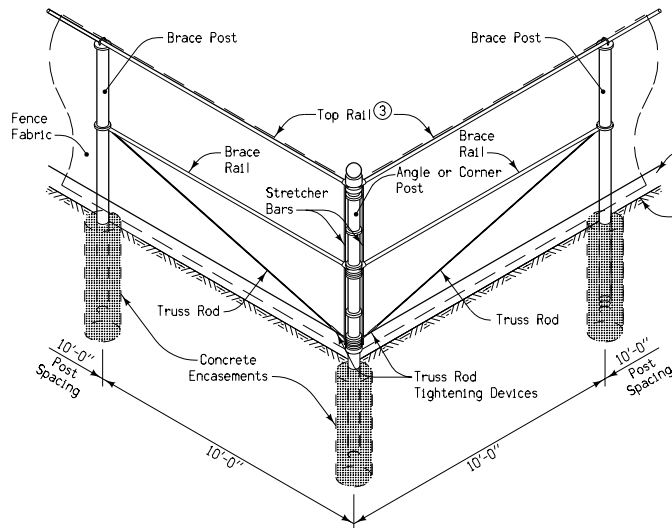


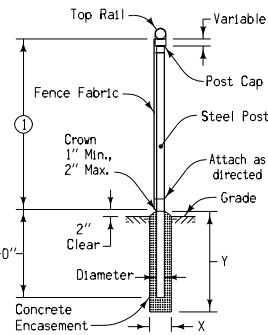
TYPICAL DETAILS
GATE INSTALLATION



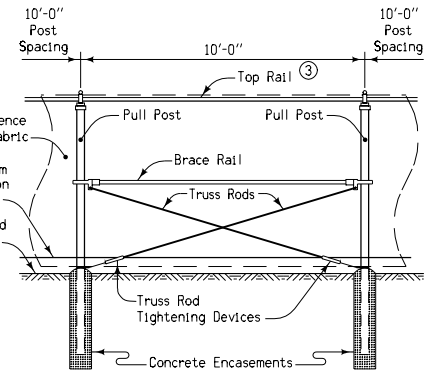
TYPICAL PLAN OF FENCE



TYPICAL DETAILS
ANGLE OR CORNER POST INSTALLATION



POST
INSTALLATION
DETAILS



TYPICAL DETAILS
PULL POST INSTALLATION

GENERAL NOTES:

This detail illustrates the installation of Chain Link Fence.

Posts, braces, and rails of alternate cross-sectional shape, material, or protective coating may be used if approved in accordance with Office of Materials I.M. 454.10.

Fence fabric shall normally be placed on roadway side of post. For certain, curves, stream crossings or other locations, fabric may be placed on the side of the post away from the roadway.

Price bid for contract items shall be considered full compensation for construction of fencing as detailed hereon and as required by other documents.

Contract Items are:

- "Chain Link Fence"
- "Chain Link Gate Assembly"

Construction of all necessary brace post assemblies shall be considered incidental to the price bid for "Chain Link Fence".

The Contractor shall not disturb or destroy any Right-of-Way markers.

- ① Fabric width shall be 6 feet unless otherwise specified.
- ② Unless specified otherwise on detail plans, gates shall be 16 feet in width. Double gate (shown) is required only for widths more than 16 feet. Exact details of gate design shall be subject to approval of the Engineer. Gate shall be provided with approved stop, latch and means for locking. Installation shall be as recommended by the manufacturer.
- ③ See Standard Road Plan RC-11.
- ④ End Post used to terminate run of fence if no gate is proposed.
- ⑤ Standard weight (Schedule 40) steel pipe.

USE IN FENCE	POST SIZE ⑤			CONCRETE ENCASEMENT SIZE	
	Nominal Pipe Size, In.	Outside Diameter, In.	Weight, lb./ft.	X	Y
Rail	1 1/4	1.660	2.27	---	---
Brace Post	1 1/4	1.660	2.27	0'-9"	3'-6"
Line Post	2	2.375	3.65	0'-9"	3'-6"
Angle, Corner, End, or Pull Post	2 1/2	2.875	5.79	1'-0"	3'-9"
Gate Post for various gate widths:					
6 ft. or less	2 1/2	2.875	5.79	1'-0"	3'-9"
over 6 ft. to 12 ft.	3 1/2	4.000	9.11	1'-0"	4'-0"
over 12 ft. to 18 ft.	6	6.625	18.97	1'-4"	4'-0"
over 18 ft. to 24 ft.	8	8.625	28.55	1'-6"	4'-0"

Iowa Department of Transportation
 Highway Division

STANDARD ROAD PLAN RC-10

REVISION: Add Note About ROW Markers. REVISION NO. 7
REVISION DATE 04-15-03

APPROVED BY: *William J. Altan*
 DESIGN/METHODS ENGINEER

DETAIL OF
CHAIN LINK FENCE CONSTRUCTION