

SILT FENCE - TYPICAL PLAN

Install Silt Fence parallel to the ground contour when required on slope.

Typical Installation

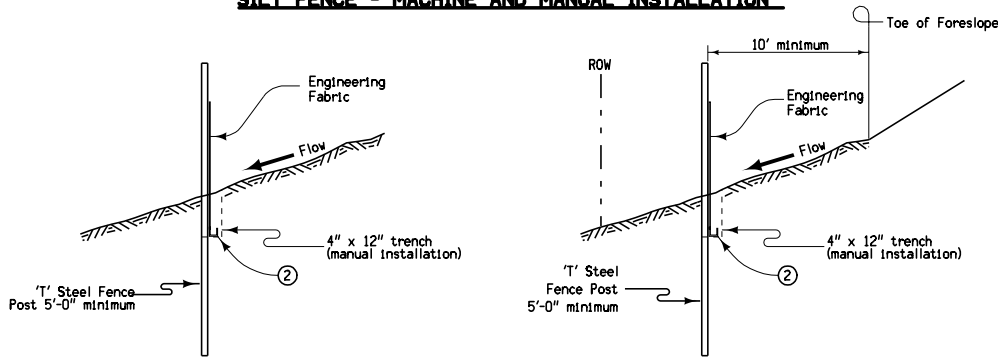
For machine installation, all compaction shall be accomplished by driving over each side of silt fence at least two times with device exerting 60 p.s.i. or greater.

For manual installation, all compaction shall be accomplished with a mechanical or pneumatic tamper.

Silt fence may be placed continuously up to a maximum length of 200 feet. For every segment of silt fence that is placed, the last 20 feet of the segment shall be flared up the slope to contain runoff as shown.

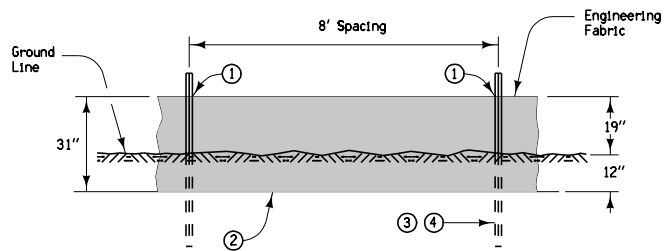
- ① Secure top of engineering fabric to steel posts using cable ties (50 lb.) or wire. See back view attachment to post.
- ② Engineering fabric to be folded along bottom of trench for manual installation only.
- ③ For machine installation, posts shall be embedded 28 inches below the ground line. First and last posts of a segment shall be embedded 39 inches below the ground line.
- ④ For manual installation, posts shall be embedded 28 inches below the trench bottom. First and last posts of a segment shall be embedded 39 inches below the trench bottom.

SILT FENCE - MACHINE AND MANUAL INSTALLATION

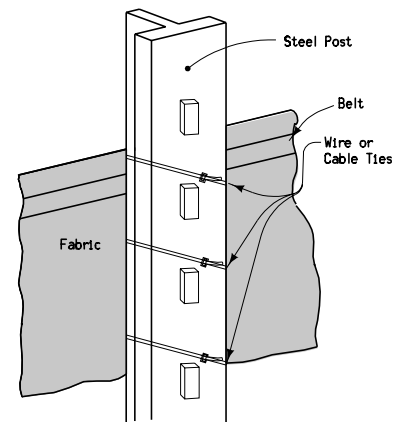


SECTION A-A

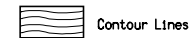
SECTION B-B



FRONT VIEW



BACK VIEW ATTACHMENT TO POST



Contract Items:

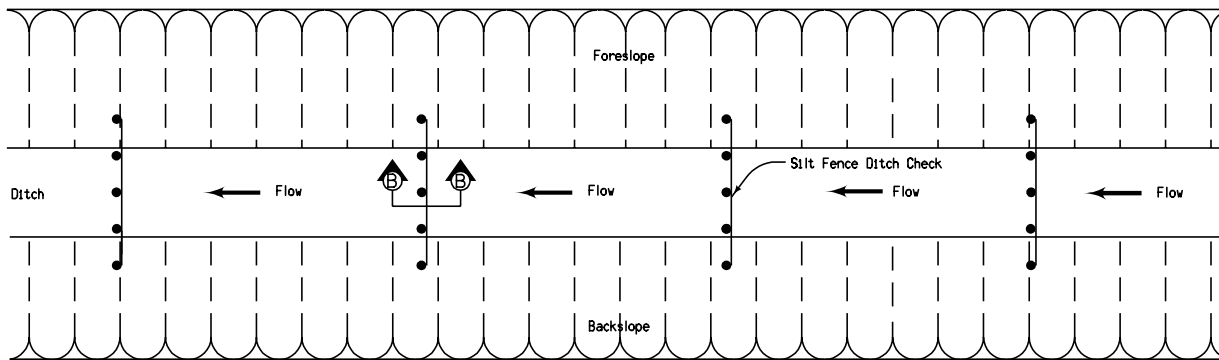
- Silt Fence
- Silt Fence for Ditch Checks

Tabulations:

100-17, 100-18, & 100-19

<p>Iowa Department of Transportation</p> <p>STANDARD ROAD PLAN</p> <p>REVISIONS: Added a third general note and modified drawings to show silt fence correctly. Added second sheet.</p> <p style="text-align: right;"><i>Deanna Masfili</i> APPROVED BY DESIGN METHODS ENGINEER</p>	REVISION
	1 10-16-07
	RC-17 SHEET 1 of 2

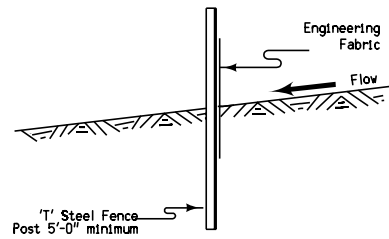
SILT FENCE



DITCH CHECK - TYPICAL PLAN

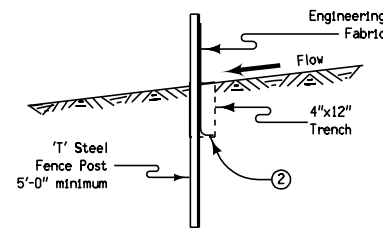
- ① Secure top of engineering fabric to steel posts using cable ties (50 lb.) or wire. See back view attachment to post.
- ② Engineering fabric to be folded along bottom of trench for manual installation only.
- ③ For machine installation, posts shall be embedded 28 inches below the ground line. First and last posts of a segment shall be embedded 39 inches below the ground line.
- ④ For manual installation, posts shall be embedded 28 inches below the trench bottom. First and last posts of a segment shall be embedded 39 inches below the trench bottom.

DITCH CHECK - MACHINE INSTALLATION

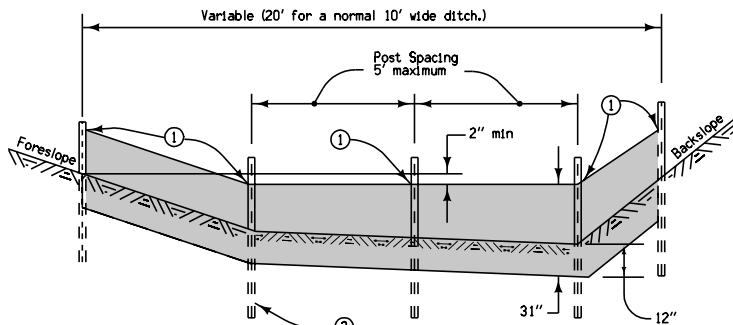


SECTION B-B

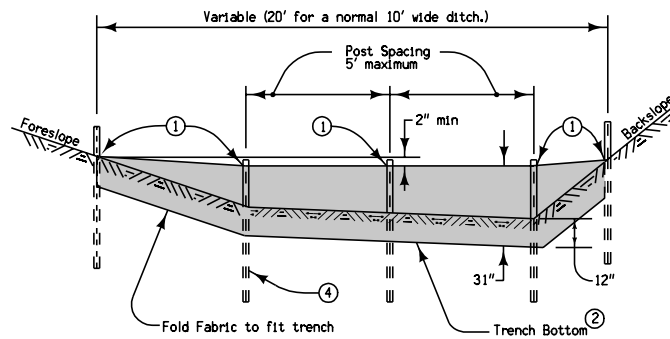
DITCH CHECK - MANUAL INSTALLATION



SECTION B-B



FRONT VIEW



FRONT VIEW

 Iowa Department of Transportation	REVISION 1 10-16-07
	RC-17
	SHEET 2 of 2

REVISIONS: Added a third general note and modified drawings to show silt fence correctly. Added second sheet.

Deanna Macfadyen
APPROVED BY DESIGN METHODS ENGINEER

SILT FENCE