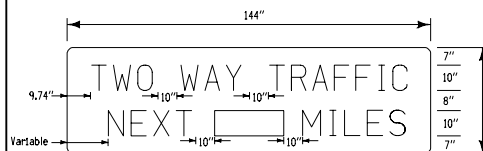


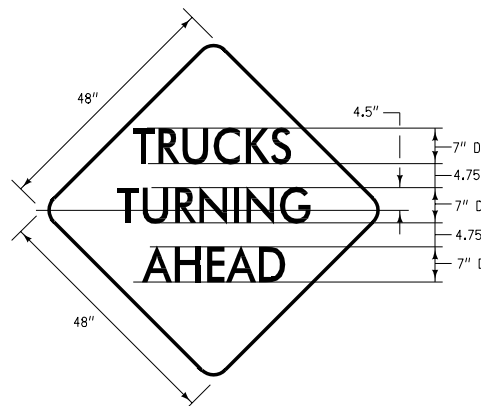
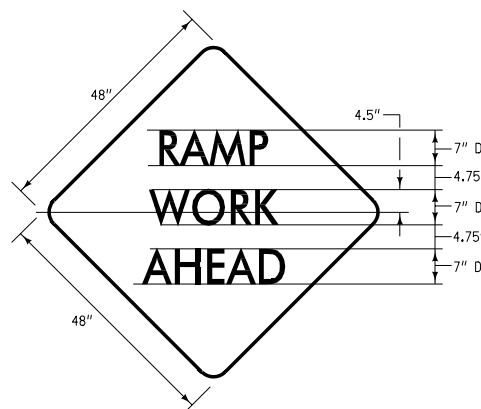
M = 6.48"
 2.11"
 E = 5.00"
 1.69"
 R = 5.47"
 1.69"
 G = 5.47"
 2.11"
 E = 5.00"
 35.02"

DETAILS OF "TWO WAY TRAFFIC" SIGN

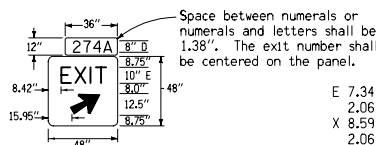


BACKGROUND - ORANGE LETTERS, NUMERALS, & BORDER - BLACK

T	6.09"	T	6.09"
	.62"	R	1.88"
W	8.75"	A	1.88"
O	7.03"	A	8.36"
	24.37"	F	6.09"
W	8.75"	N	6.72"
A	.62"	I	1.56"
I	1.56"	E	6.09"
X	8.36"	X	1.88"
	.62"	E	6.09"
Y	8.44"	C	6.72"
	26.79"	T	6.09"
		S	31.09"
			36.63"



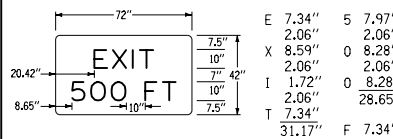
DETAILS OF "EXIT" SIGN AND EXIT NUMBER PANEL



ARROW - 3, 17 1/4" - 30°
 BACKGROUND - ORANGE
 LETTERS, NUMERALS, ARROW & BORDER - BLACK

E 7.34"
 X 8.59"
 I 1.72"
 T 7.34"
 31.17"

DETAILS OF "EXIT" SIGN



BACKGROUND - ORANGE
 LETTERS, NUMERALS, & BORDER - BLACK

E 7.34" 5 7.97"
 X 8.59" 0 2.06"
 I 1.72" 0 8.28"
 T 7.34" 0 2.06"
 F 7.34" 0 8.28"
 31.17" 0 28.65"
 1.37"
 16.05"

	Iowa Department of Transportation STANDARD ROAD PLAN	REVISION NEW 10-17-06 RD-65 SHEET 1 of 1
	REVISIONS: Create a new standard for all "special" signs used on traffic control standards. <i>Deanna Marjuff</i> APPROVED BY DESIGN METHODS ENGINEER	

SPECIAL SIGNS FOR TRAFFIC CONTROL