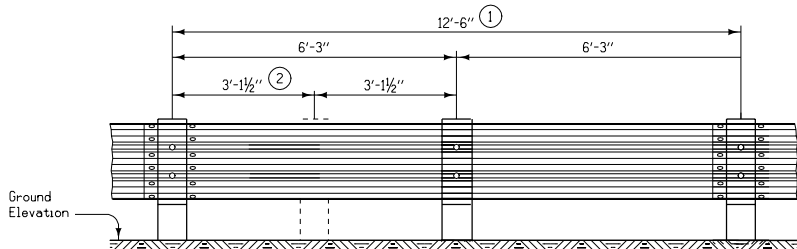
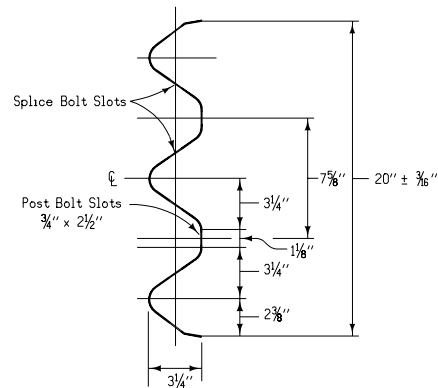


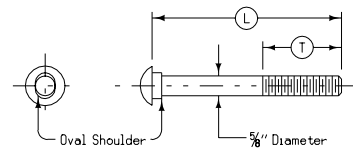
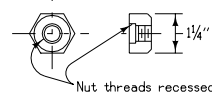
PLAN VIEW



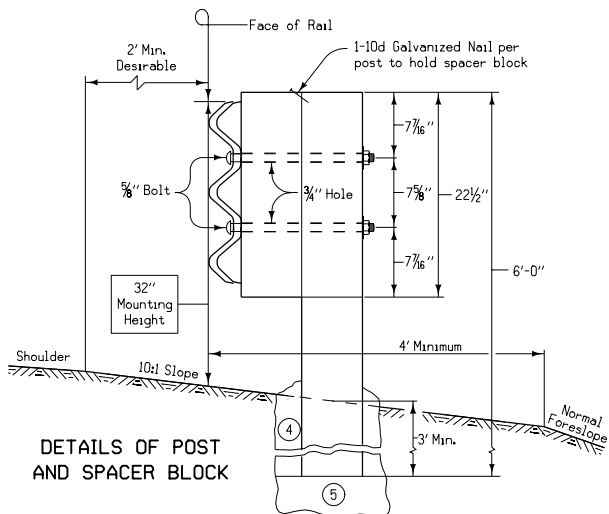
ELEVATION



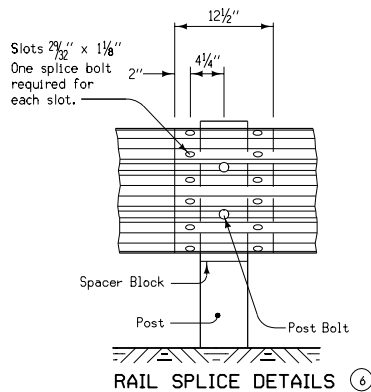
SECTION THRU RAIL



DETAILS OF HARDWARE



DETAILS OF POST AND SPACER BLOCK



RAIL SPLICE DETAILS ⑥

Wood Post	T	L
8" Single Spacer	2 1/2"	18"
8" Double Spacer	2"	25"
Splice Bolt	1 1/8"	1 1/4"

Ⓛ = Min. Length of Bolt ③
 Ⓣ = Min. Thread Length

GENERAL NOTES:

All beam rail installed on curvilinear alignment shall be shop curved to the proper radius by the fabricator.

A splice in the beam railing shall occur only at a post location. The Engineer may modify the length of beam railing or number of posts required.

When the removal of traffic markers, barriers or warning devices is necessary for proper installation of guardrail or end anchorage, they shall be removed at the direction of the Engineer. Removal of these devices shall require temporary warning markers, provided by the Contractor, if not reinstalled on the same day as construction begins.

- ① Unless specified otherwise, rail elements may be furnished in either 25' or 12'-6" sections.
- ② 3'-1 1/2" spacing may be required where space for guardrail deflection is limited. Refer to Standard Road Plans for specific requirements.
- ③ For any case requiring bolt other than as indicated, the bolt lengths shall be of proper length to accomplish the intended purpose.
- ④ When guardrail posts are to be installed in HMA or PCC shoulders, the Contractor will be required to predrill or cut holes of equal diameter for post. Where drilled post holes are used, they shall be backfilled and tamped with material removed from the holes unless specified otherwise.
- ⑤ Any over-depth portion of hole shall be backfilled with sand and firmly tamped.
- ⑥ Splice lap direction shall be as specified on detail project plans and appropriate Standard Road Plans.

Iowa Department of Transportation
Highway Division

STANDARD ROAD PLAN RE-12B

REVISION: Remove Hardware Information Already in the Specifications Book.	REVISION NO. 6
APPROVED BY DESIGN METHODS ENGINEER <i>William J. Stein</i>	REVISION DATE 10-19-04

FORMED STEEL BEAM GUARDRAIL AND POSTS FOR BLOCKED-OUT GUARDRAIL (THREE BEAM)