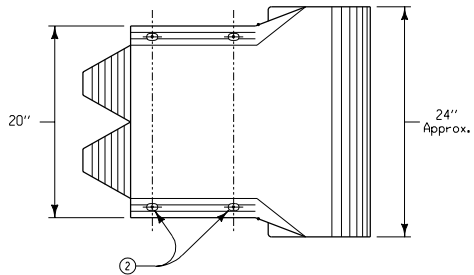
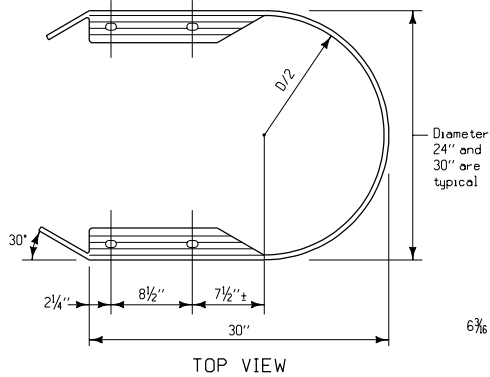


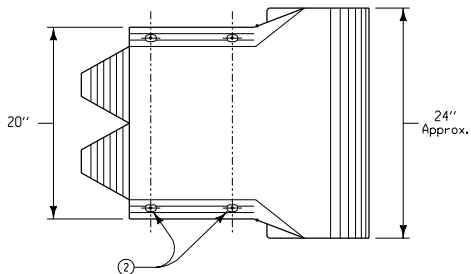
TOP VIEW



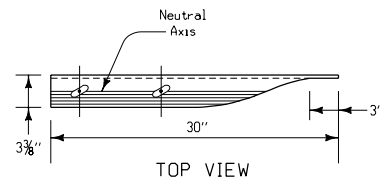
FRONT VIEW
TYPE "G" TERMINAL SECTION
Rounded End



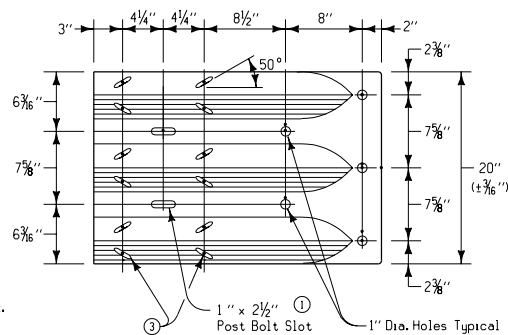
TOP VIEW



FRONT VIEW
TYPE "H" TERMINAL SECTION
Buffer End



TOP VIEW



FRONT VIEW
TYPE "J" TERMINAL SECTION
Terminal Connector

GENERAL NOTES:

Terminal section shall be required as part of the end treatment for all guardrail installations unless specifically indicated otherwise in project plans.

Materials and methods of construction shall be in accordance with current Standard and Supplemental Specifications.

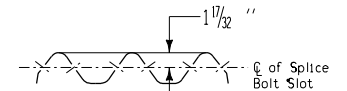
Refer to the appropriate tabulations for guardrail installation details.

Type "G" terminal shall not be less than U.S.S. 12 gage. Type "H" and "J" terminals shall be U.S.S. 10 gage.

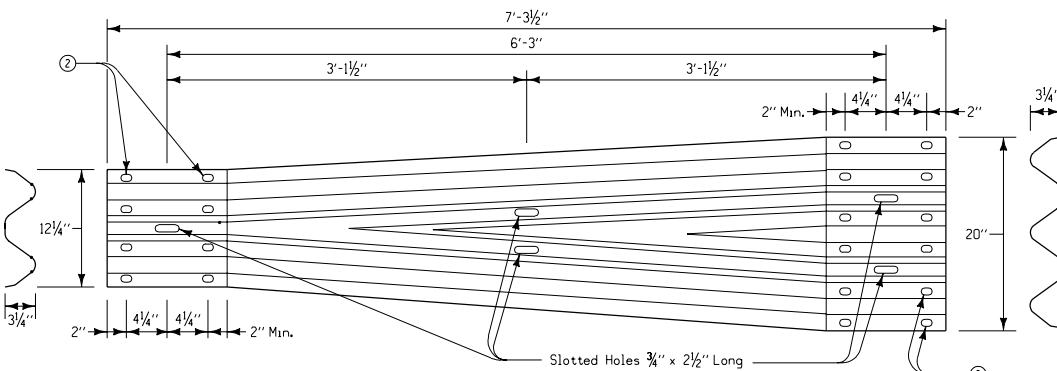
Furnishing and installing terminal sections will not be paid for separately but shall be considered incidental to the price bid for other guardrail work required.

Thrie beam transition section will be included in the measurement of the 'Installation of Guardrail' bid item.

- ① If supplied with a 3/4" x 2-1/2" slot, the slot must be field reamed or drilled for a 7/8" bolt.
- ② Slotted holes 29/32" x 1-1/8" long.
- ③ Slotted holes 1" X 2" long.



END VIEW
TYPE "J" TERMINAL SECTION



W TO THRIE BEAM TRANSITION SECTION

STANDARD ROAD PLAN RE-2B	
REVISION: Revised the General Notes, Thrie beam included in the measurement of guardrail bid item.	REVISION NO. 5
<i>Mitchell J. Dillman</i> APPROVED BY DESIGN METHODS ENGINEER	12-05-00 REVISION DATE
FORMED STEEL BEAM RAILING TRANSITION AND TERMINAL SECTIONS (THRIE BEAM)	